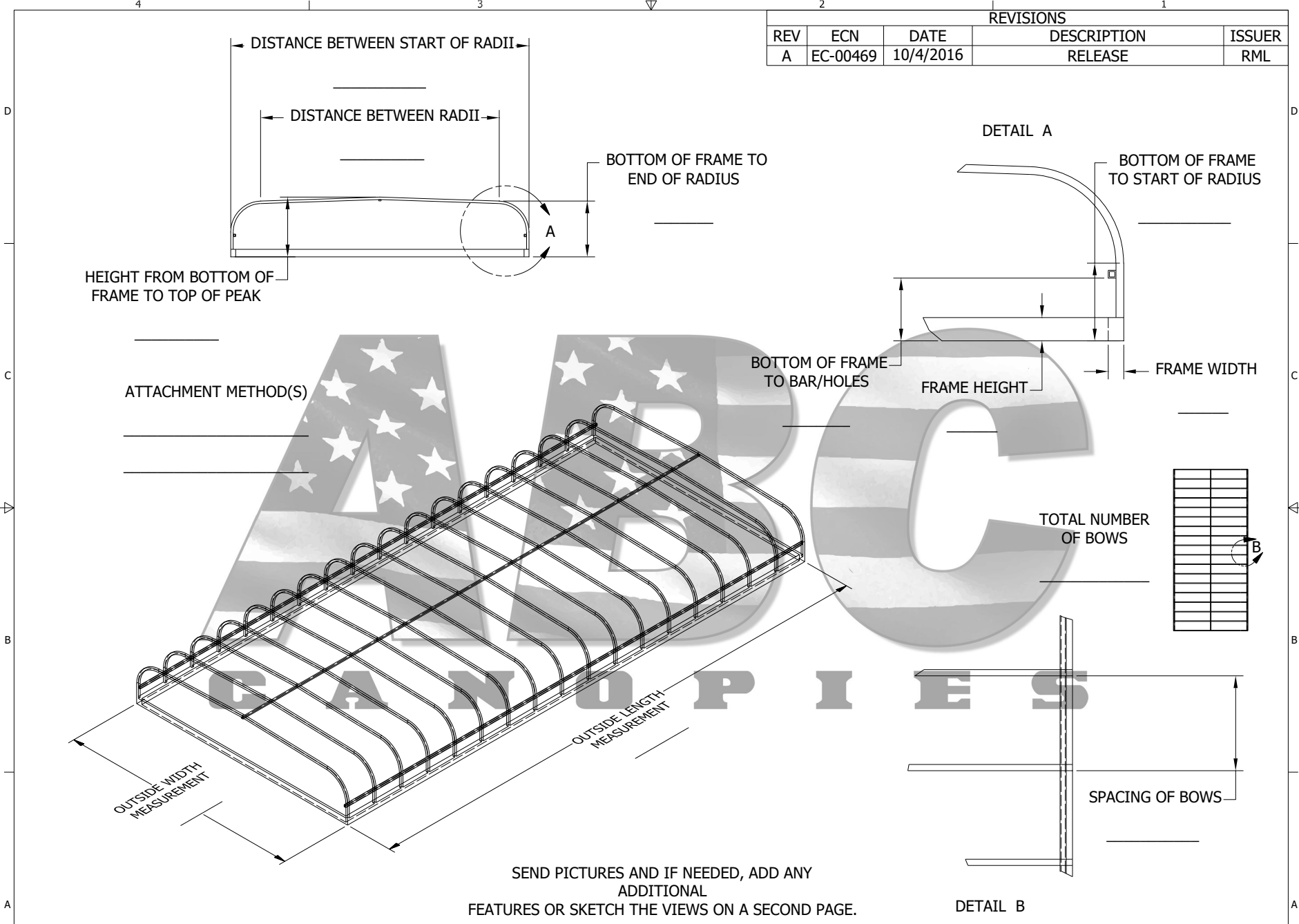


REVISIONS				
REV	ECN	DATE	DESCRIPTION	ISSUER
A	EC-00469	10/4/2016	RELEASE	RML



SEND PICTURES AND IF NEEDED, ADD ANY ADDITIONAL FEATURES OR SKETCH THE VIEWS ON A SECOND PAGE.

TOLERANCES - UNLESS NOTED  
 DECIMAL ±  
 FRACTION ±  
 ANGLE ±



TITLE:  
**FLAT FRONT FRAME DETAIL SHEET**

SIZE  
**C**

DRFT: TJS	DATE 4/10/2014	SCALE	SHEET 1	PART NO: F-196
ENGR: CWG	DATE 10/10/2016		1	

4

3

2

1

4

3

2

1