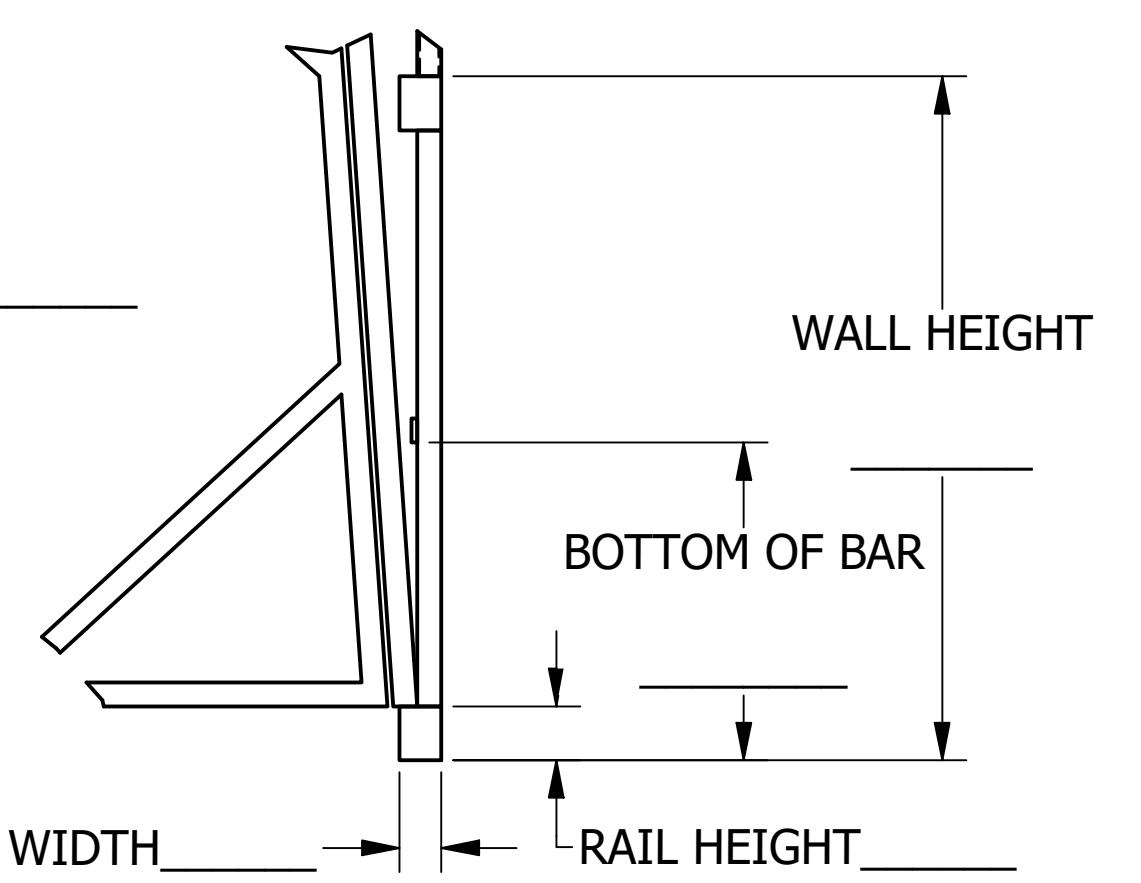
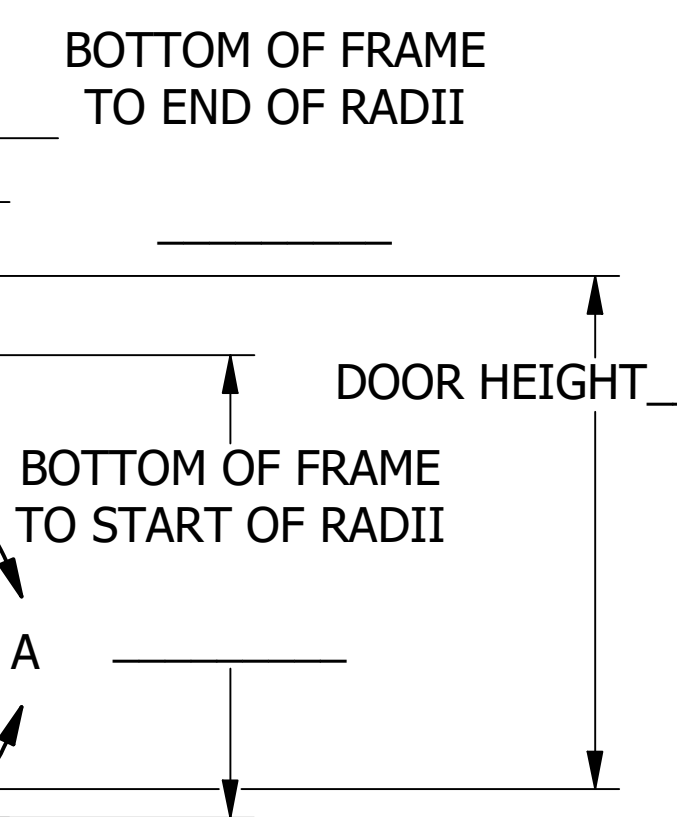
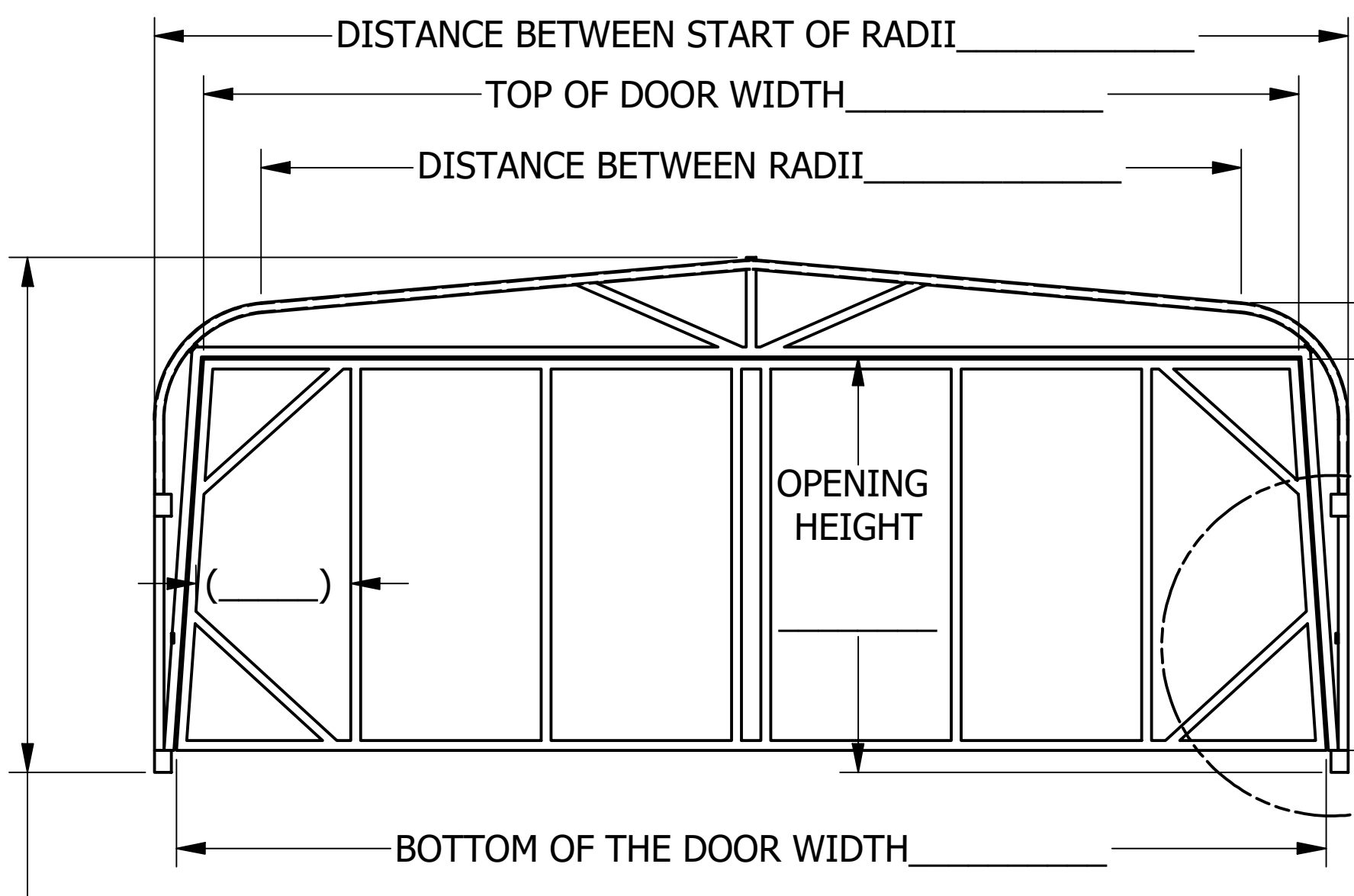


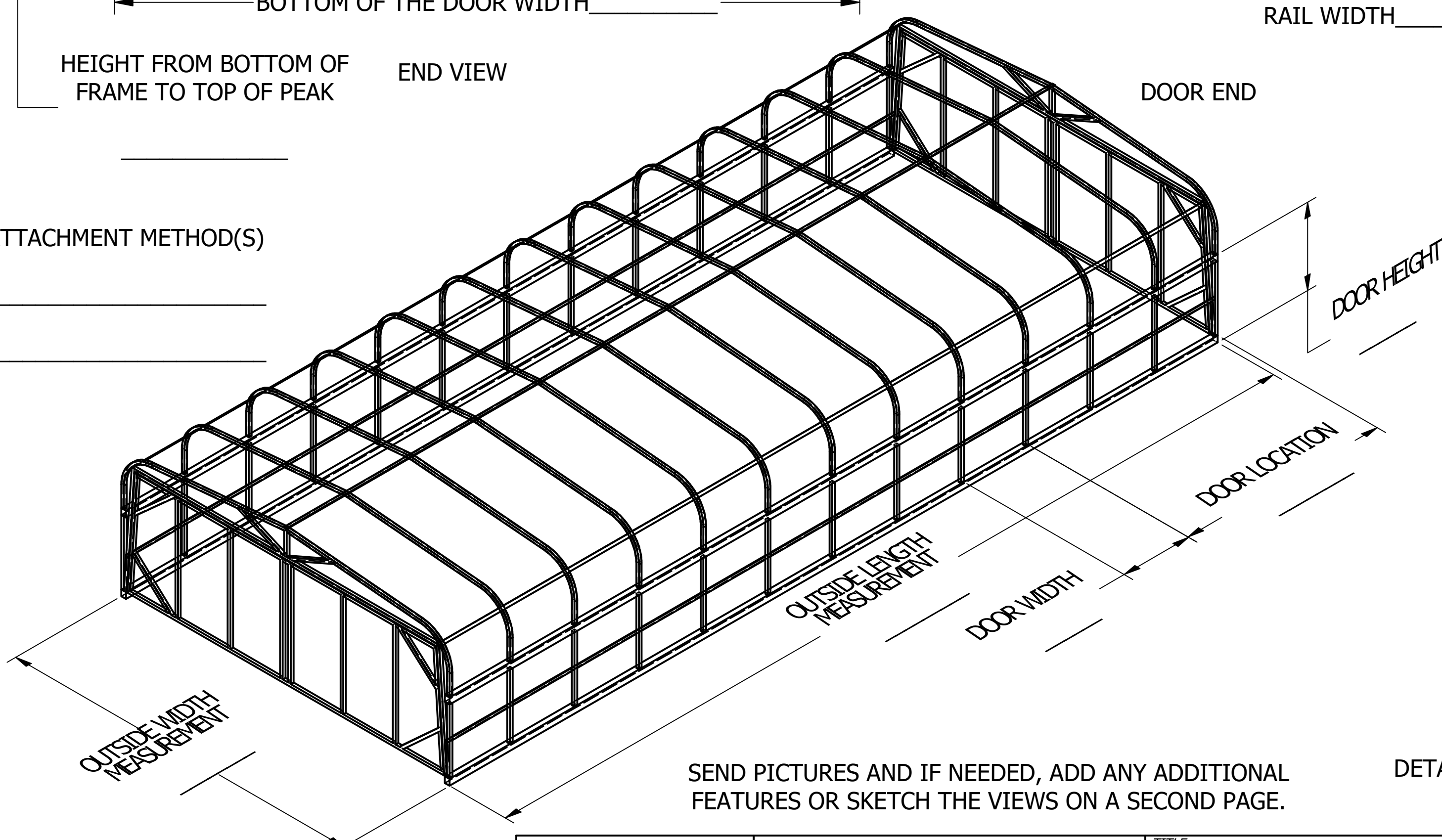
REVISIONS				
REV	ECN	DATE	DESCRIPTION	ISSUER
		10/18/2022		RML



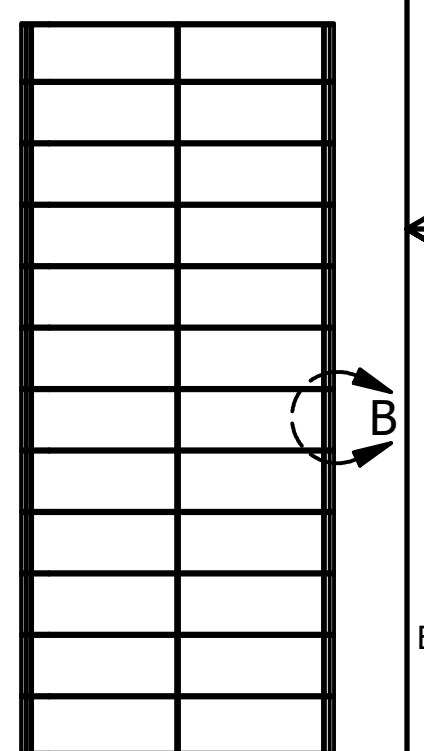
HEIGHT FROM BOTTOM OF FRAME TO TOP OF PEAK
END VIEW

DOOR END

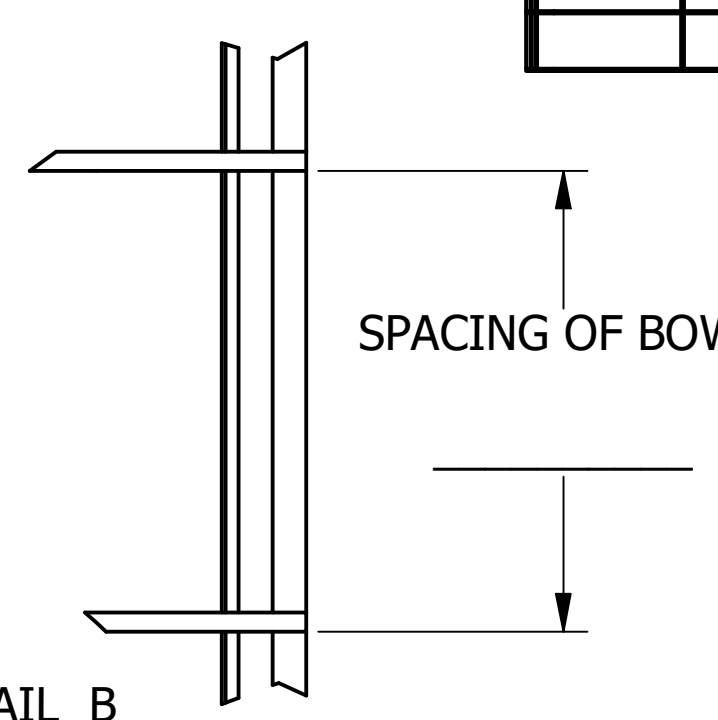
ATTACHMENT METHOD(S)



TOTAL NUMBER OF BOWS



SPACING OF BOWS



DETAIL B

SEND PICTURES AND IF NEEDED, ADD ANY ADDITIONAL FEATURES OR SKETCH THE VIEWS ON A SECOND PAGE.

TOLERANCES - UNLESS NOTED
DECIMAL ±
FRACTION ±
ANGLE ±

TITLE: SHOREMASTER TOPMAXX FRAME DETAIL SHEET				SIZE C
DRFT: RML	DATE 10/18/2022	SCALE	SHEET 1	PART NO: F-265
ENGR: CRH	DATE 10/18/2022		1	