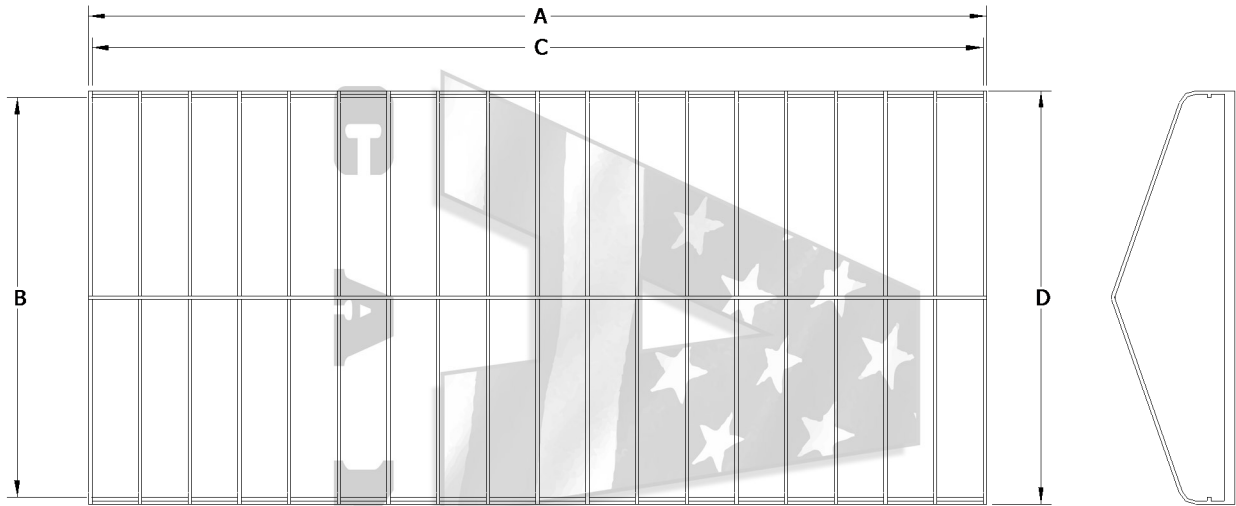


Attn: _____

**Great Lakes Frame
Specification Sheet**



***ALL MEASUREMENTS (±1")**

PART NO.	SIZE	OVERALL LENGTH "A"	INSIDE WIDTH "B"	SIDE RAIL LENGTH "C"	OUTSIDE WIDTH "D"
GL2R2000110	20' X 110"	20'	110"	19' 10"	120"
GL2R2300110	23' X 110"	23'	110"	22' 10"	120"
GL2R2500110	25' X 110"	25'	110"	24' 10"	120"
GL2R2700110	27' X 110"	27'	110"	26' 10"	120"
GL2R3000110	30' X 110"	30'	110"	30' 10"	120"
GL2R2000116	20' X 116"	20'	116"	19' 10"	126"
GL2R2300116	23' X 116"	23'	116"	22' 10"	126"
GL2R2500116	25' X 116"	25'	116"	24' 10"	126"
GL2R2700116	27' X 116"	27'	116"	26' 10"	126"
GL2R3000116	30' X 116"	30'	116"	30' 10"	126"
GL2R2000122	20' X 122"	20'	122"	19' 10"	132"
GL2R2300122	23' X 122"	23'	122"	22' 10"	132"
GL2R2500122	25' X 122"	25'	122"	24' 10"	132"
GL2R2700122	27' X 122"	27'	122"	26' 10"	132"
GL2R3000122	30' X 122"	30'	122"	30' 10"	132"

ATTACHMENT

The male buckle wraps around the bottom of the canopy frame while the female buckle wraps around the top of the canopy frame.

STANDARD VALANCE: 12" VALANCE

OUTSIDE DIMENSIONS

- A _____ OVERALL LENGTH OF FRAME
- B _____ INSIDE WIDTH OF FRAME
- C _____ LENGTH OF SIDE RAILS (W/O ENDS)
- D _____ OUTSIDE WIDTH OF FRAME

STANDARD VALANCE: 6" DROP

CONTACT INFORMATION

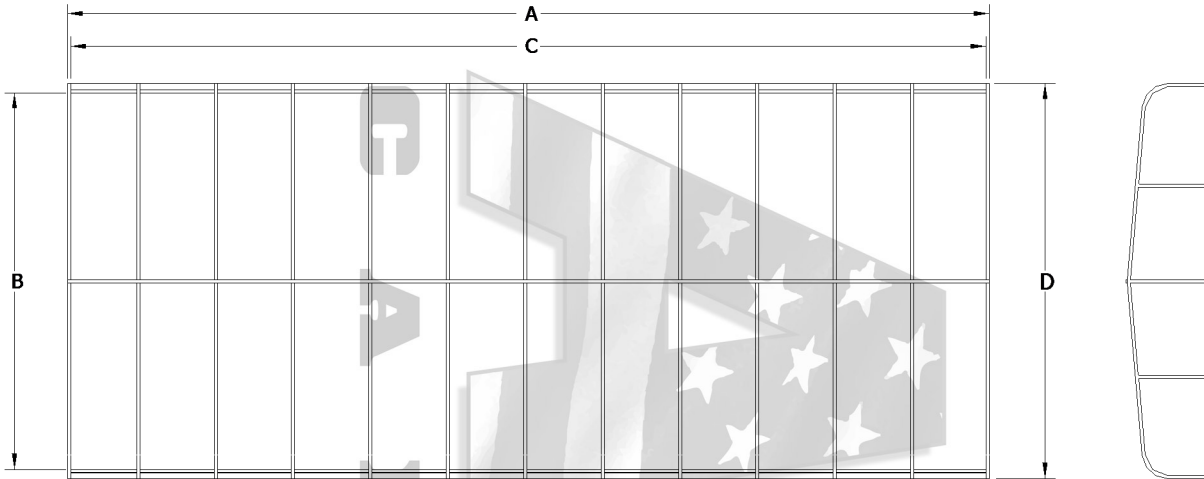
Name _____
 Address _____
 City _____ State _____ Zip _____
 Phone _____ Fax _____
 Boat Lift Brand _____

****If dimensions don't match above,
fill out detail on page 3****

NOTES

Attn: _____

**Great Lakes Frame
Specification Sheet**



***ALL MEASUREMENTS (±1")**

PART NO.	SIZE	OVERALL LENGTH "A"	INSIDE WIDTH "B"	SIDE RAIL LENGTH "C"	OUTSIDE WIDTH "D"
GL3R2000110	20' X 110"	20'	110"	19' 10"	120"
GL3R2300110	23' X 110"	23'	110"	22' 10"	120"
GL3R2500110	25' X 110"	25'	110"	24' 10"	120"
GL3R2700110	27' X 110"	27'	110"	26' 10"	120"
GL3R3000110	30' X 110"	30'	110"	30' 10"	120"
GL3R2000116	20' X 116"	20'	116"	19' 10"	126"
GL3R2300116	23' X 116"	23'	116"	22' 10"	126"
GL3R2500116	25' X 116"	25'	116"	24' 10"	126"
GL3R2700116	27' X 116"	27'	116"	26' 10"	126"
GL3R3000116	30' X 116"	30'	116"	30' 10"	126"
GL3R2000122	20' X 122"	20'	122"	19' 10"	132"
GL3R2300122	23' X 122"	23'	122"	22' 10"	132"
GL3R2500122	25' X 122"	25'	122"	24' 10"	132"
GL3R2700122	27' X 122"	27'	122"	26' 10"	132"
GL3R3000122	30' X 122"	30'	122"	30' 10"	132"

ATTACHMENT

Continuous bungee is strung through d-rings and hooked to aluminum flat bar via s-hooks

STANDARD VALANCE: 12" VALANCE

OUTSIDE DIMENSIONS

- A _____ OVERALL LENGTH OF FRAME
- B _____ INSIDE WIDTH OF FRAME
- C _____ LENGTH OF SIDE RAILS (W/O ENDS)
- D _____ OUTSIDE WIDTH OF FRAME

STANDARD VALANCE: 6" DROP

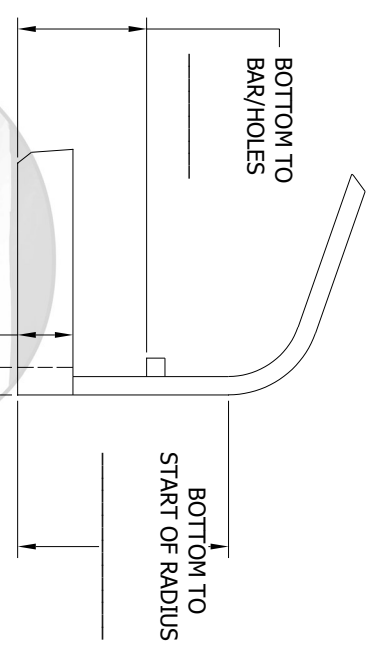
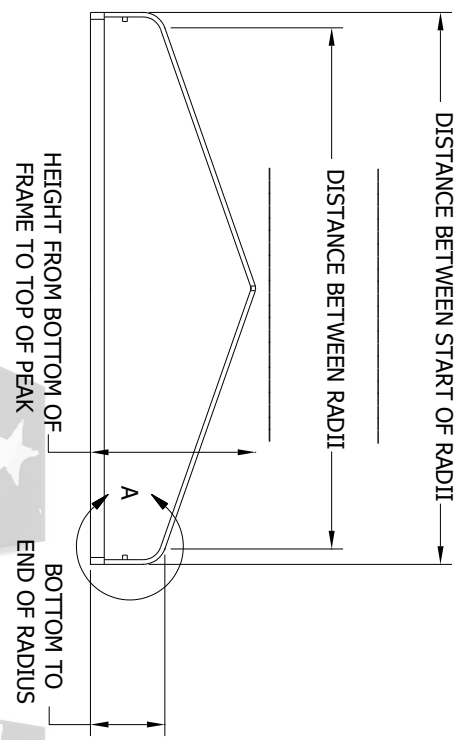
CONTACT INFORMATION

Name _____
 Address _____
 City _____ State _____ Zip _____
 Phone _____ Fax _____
 Boat Lift Brand _____

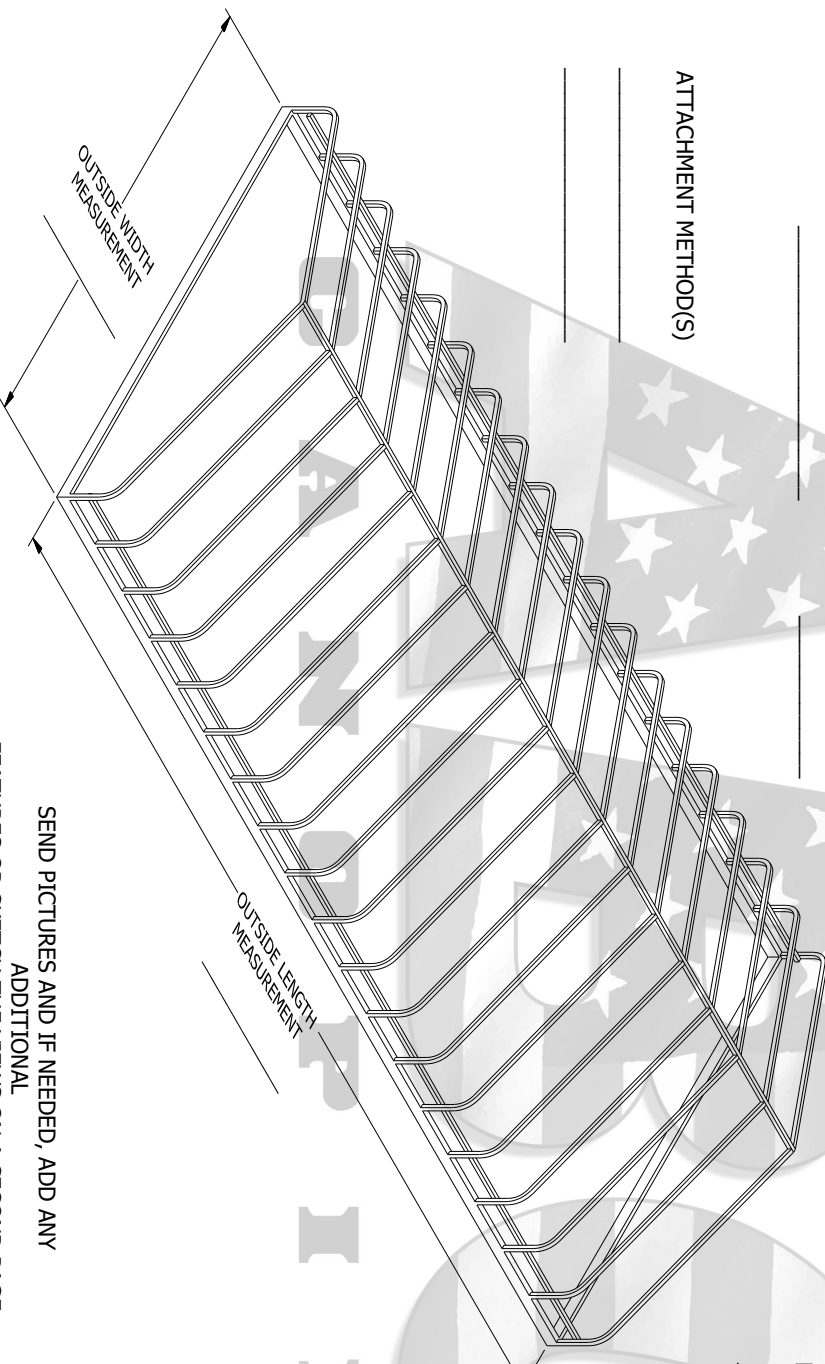
****If dimensions don't match above,
fill out detail on next page****

NOTES

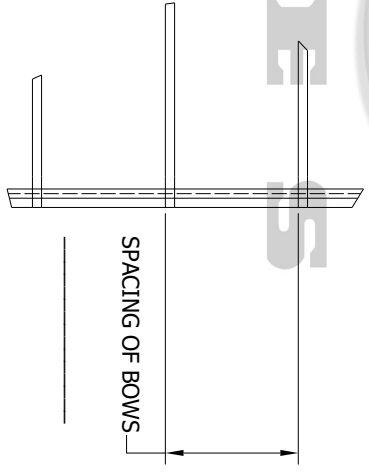
REVISIONS				ISSUER
REV	ECN	DATE	DESCRIPTION	
A	EC-00852	5/29/2019	RELEASE	RML



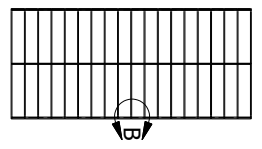
ATTACHMENT METHOD(S)



DETAIL B



DETAIL A



SEND PICTURES AND IF NEEDED, ADD ANY ADDITIONAL FEATURES OR SKETCH THE VIEWS ON A SECOND PAGE.

TOLERANCES - UNLESS NOTED
DECIMAL ±
FRACTION ±
ANGLE ±



DRFT: RML	DATE: 10/4/2016	SCALE:	SHEET: 1	PART NO.: F-0199	SIZE: C
ENGR: CMG	DATE: 10/10/2016		1		