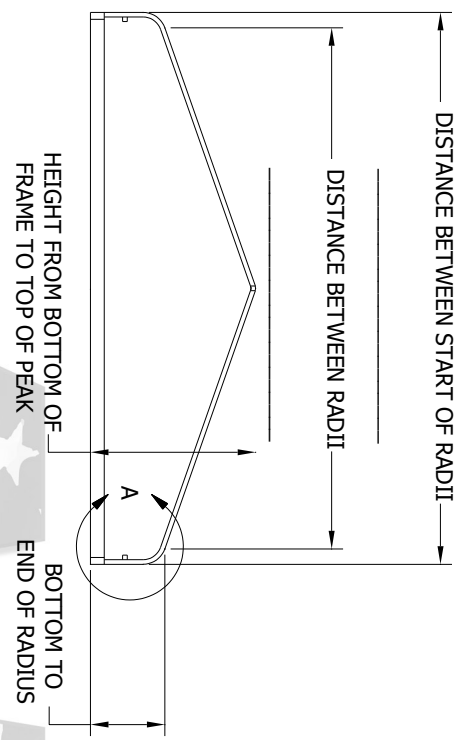
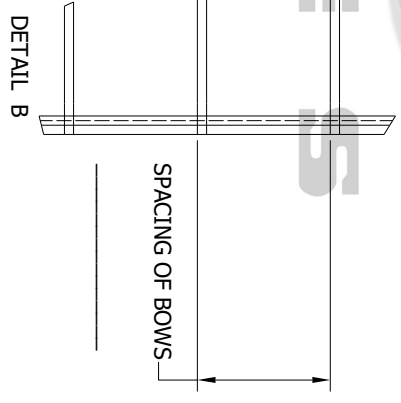
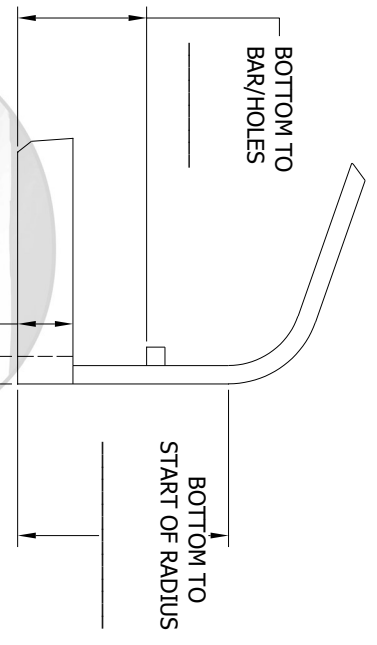
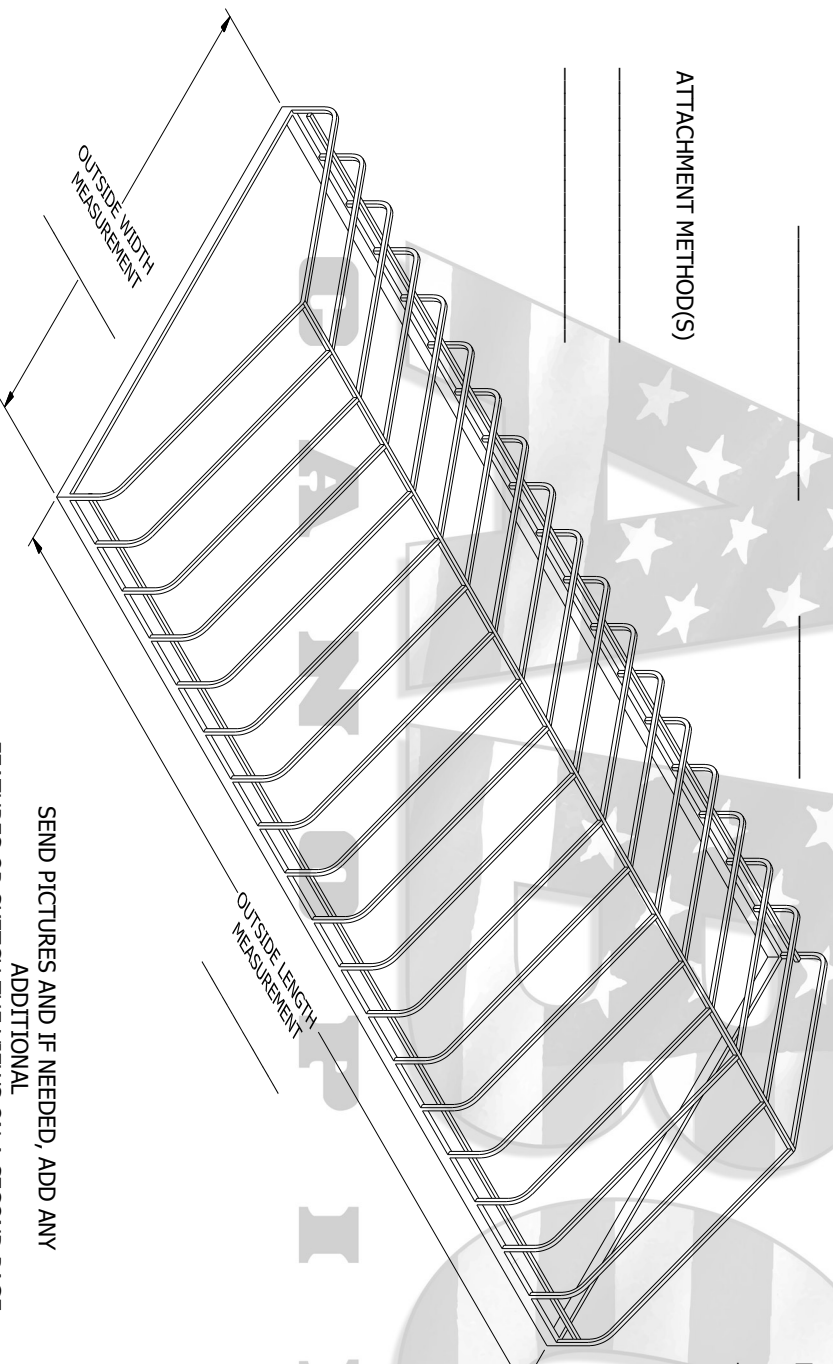


REVISIONS				ISSUER
REV	ECN	DATE	DESCRIPTION	
A	EC-00852	5/29/2019	RELEASE	RML



ATTACHMENT METHOD(S)



SEND PICTURES AND IF NEEDED, ADD ANY ADDITIONAL FEATURES OR SKETCH THE VIEWS ON A SECOND PAGE.

TOLERANCES - UNLESS NOTED
DECIMAL #
FRACTION #
ANGLE #



DRFT: RML	DATE: 10/4/2016	SCALE:	SHEET: 1	PART NO.: F-0199	SIZE: C
ENGR: CMG	DATE: 10/10/2016		1		