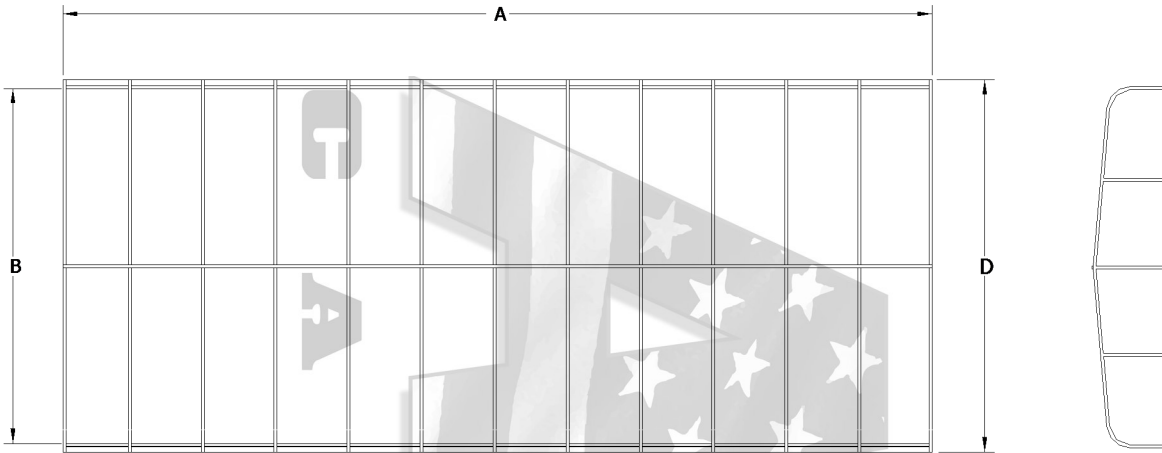


Attn: _____

Bulmann Frame Specification Sheet



***ALL MEASUREMENTS (±1")**

PART NO.	SIZE	OVERALL LENGTH "A"	INSIDE WIDTH "B"	OUTSIDE WIDTH "D"
BU2200126	22' X 126"	22'	122.375"	125.375"
BU2400126	24' X 126"	24'	122.375"	125.375"
BU2600126	26' X 126"	26'	122.375"	125.375"
BU2800126	28' X 126"	28'	122.375"	125.375"
BU3000126	30' X 126"	30'	122"	125"
BU3200126	32' X 126"	32'	122"	125"
BU3400126	34' X 126"	34'	122"	125"
BU3600126	36' X 126"	36'	122"	125"

ATTACHMENT

Continuous bungee threaded thru webbing loops and tied off at the ends.

STANDARD VALANCE: 5" VALANCE

OUTSIDE DIMENSIONS

A _____ OVERALL LENGTH OF FRAME
 B _____ INSIDE WIDTH OF FRAME
 D _____ OUTSIDE WIDTH OF FRAME

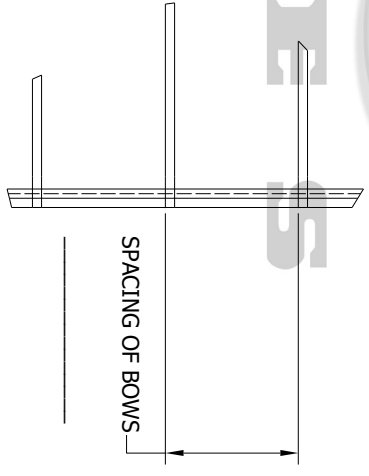
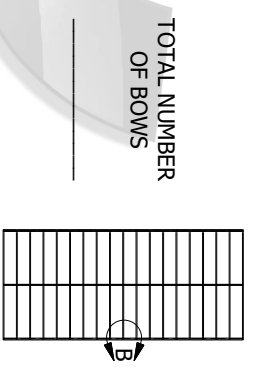
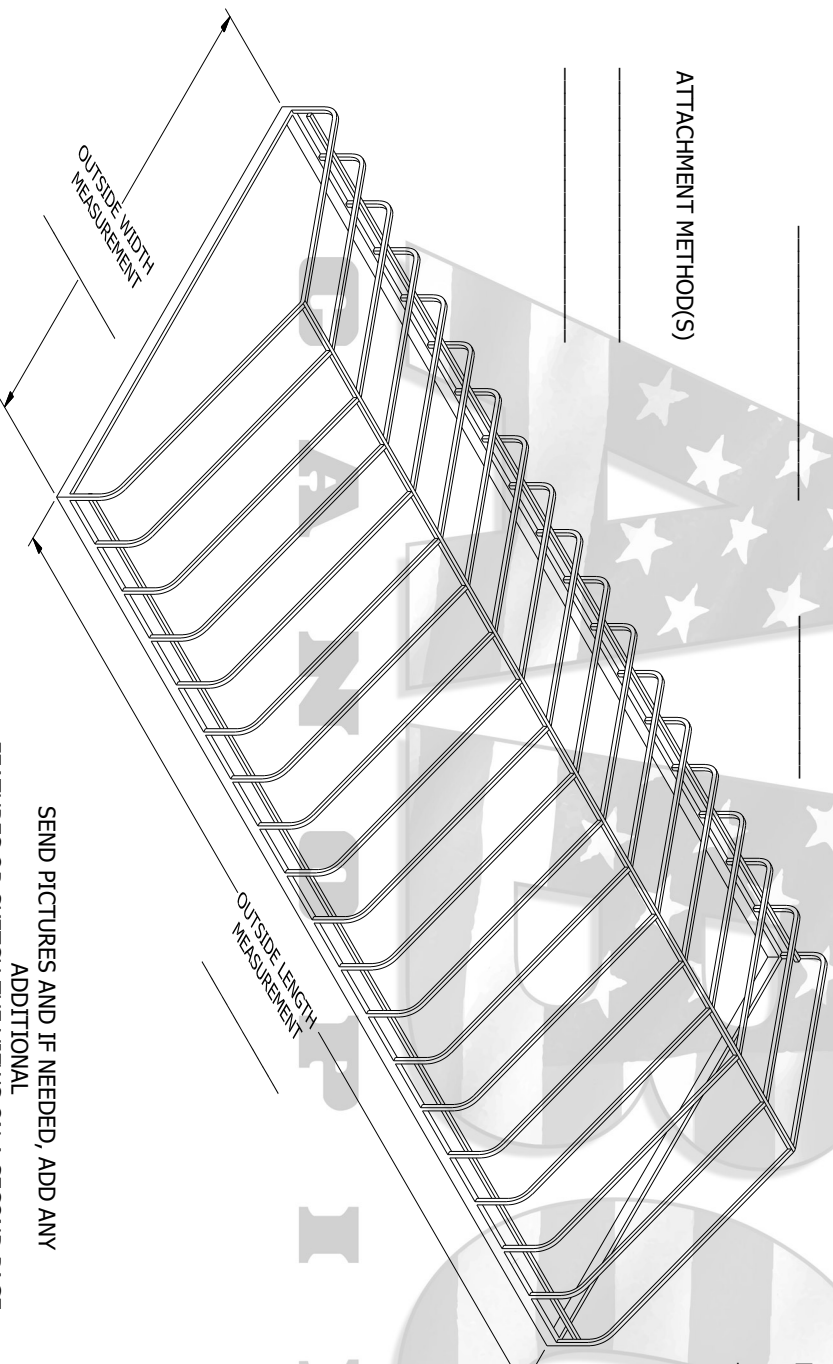
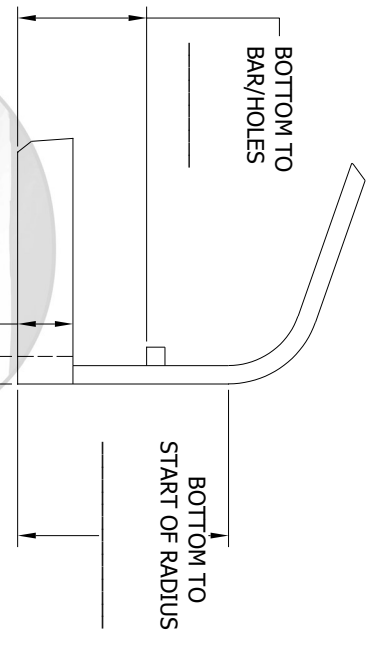
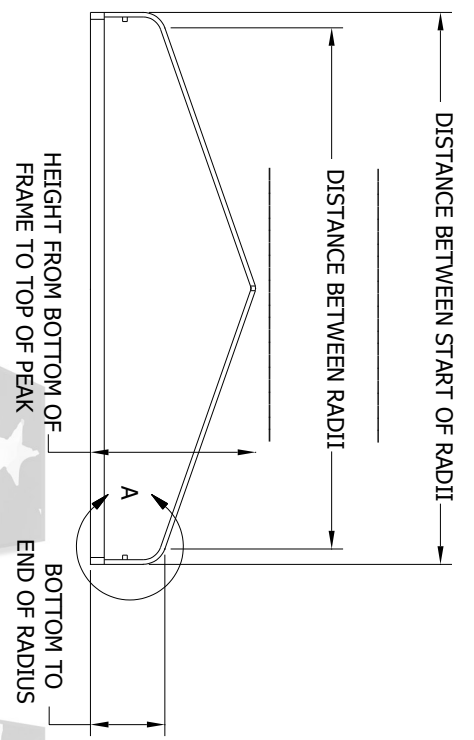
CONTACT INFORMATION

Name _____
 Address _____
 City _____ State _____ Zip _____
 Phone _____ Fax _____

****If dimensions don't match above, fill out detail on next page****

NOTES

REVISIONS				ISSUER
REV	ECN	DATE	DESCRIPTION	
A	EC-00852	5/29/2019	RELEASE	RML



SEND PICTURES AND IF NEEDED, ADD ANY ADDITIONAL FEATURES OR SKETCH THE VIEWS ON A SECOND PAGE.

PEAKED FLUSHED END FRAME DETAIL SHEET

TOLERANCES - UNLESS NOTED
 DECIMAL #
 FRACTION #
 ANGLE #



DRAFT:	DATE:	SCALE:	SHEET:	PART NO.:
RML	10/4/2016		1	F-0199
ENGR:	DATE:			
CMG	10/10/2016			

SIZE
C

TOTAL NUMBER OF BOWS

SPACING OF BOWS