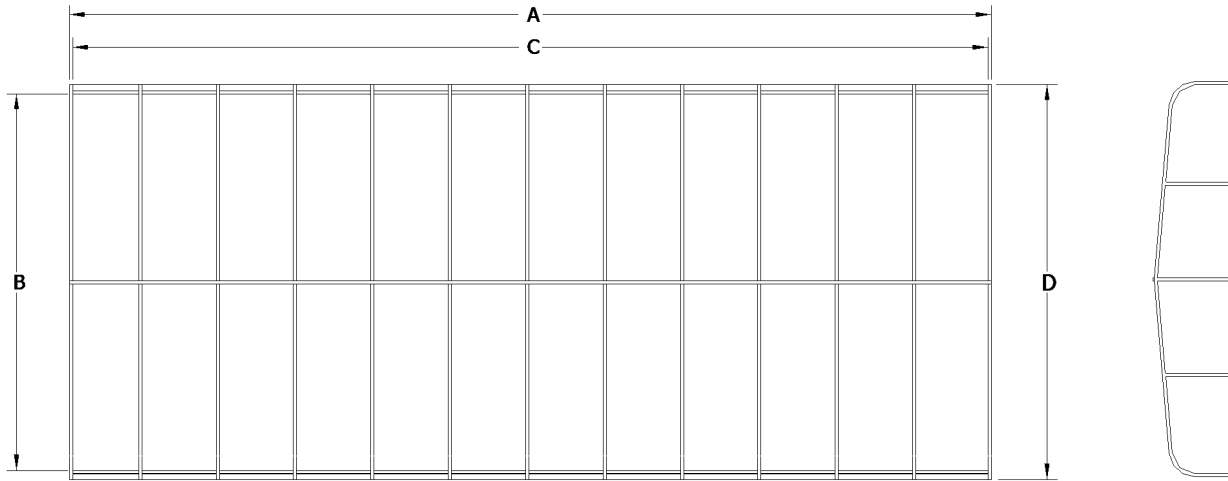


Attn: \_\_\_\_\_

**Harbor Master® Flat Front Frame  
Specification Sheet**



**\*ALL MEASUREMENTS (±1")**

| PART NO.   | SIZE       | OVERALL LENGTH "A" | INSIDE WIDTH "B" | SIDE RAIL LENGTH "C" | OUTSIDE WIDTH "D" |
|------------|------------|--------------------|------------------|----------------------|-------------------|
| HMA1800100 | 18' X 100" | 18'                | 100"             | 17' 10"              | 104"              |
| HMA2100100 | 21' X 100" | 21'                | 100"             | 20' 10"              | 104"              |
| HMA2100108 | 21' X 108" | 21'                | 108"             | 20' 10"              | 112"              |
| HMA2400108 | 24' X 108" | 24'                | 108"             | 23' 10"              | 112"              |
| HMA2400114 | 24' X 114" | 24'                | 114"             | 23' 10"              | 118"              |
| HMA2700114 | 27' X 114" | 27'                | 114"             | 26' 10"              | 118"              |
| HMA2400120 | 24' X 120" | 24'                | 120"             | 23' 10"              | 124"              |
| HMA2700120 | 27' X 120" | 27'                | 120"             | 26' 10"              | 124"              |
| HMA3000120 | 30' X 120" | 30'                | 120"             | 29' 10"              | 124"              |
| HMA2400126 | 24' X 126" | 24'                | 126"             | 23' 10"              | 130"              |
| HMA2700126 | 27' X 126" | 27'                | 126"             | 26' 10"              | 130"              |
| HMA3000126 | 30' X 126" | 30'                | 126"             | 29' 10"              | 130"              |

**ATTACHMENT**

Hooked bungee attaches to d-rings and hook over aluminum rod on frame.

STANDARD VALANCE: 12" VALANCE

**OUTSIDE DIMENSIONS**

- A \_\_\_\_\_ OVERALL LENGTH OF FRAME
- B \_\_\_\_\_ INSIDE WIDTH OF FRAME
- C \_\_\_\_\_ LENGTH OF SIDE RAILS (W/O ENDS)
- D \_\_\_\_\_ OUTSIDE WIDTH OF FRAME

**\*\*If dimensions don't match above,  
fill out detail sheet on page 2\*\***

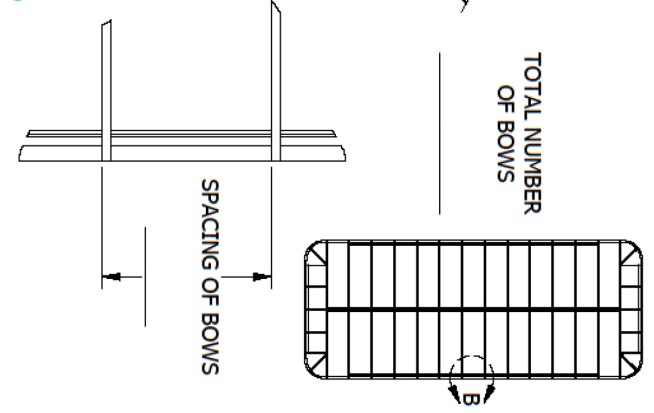
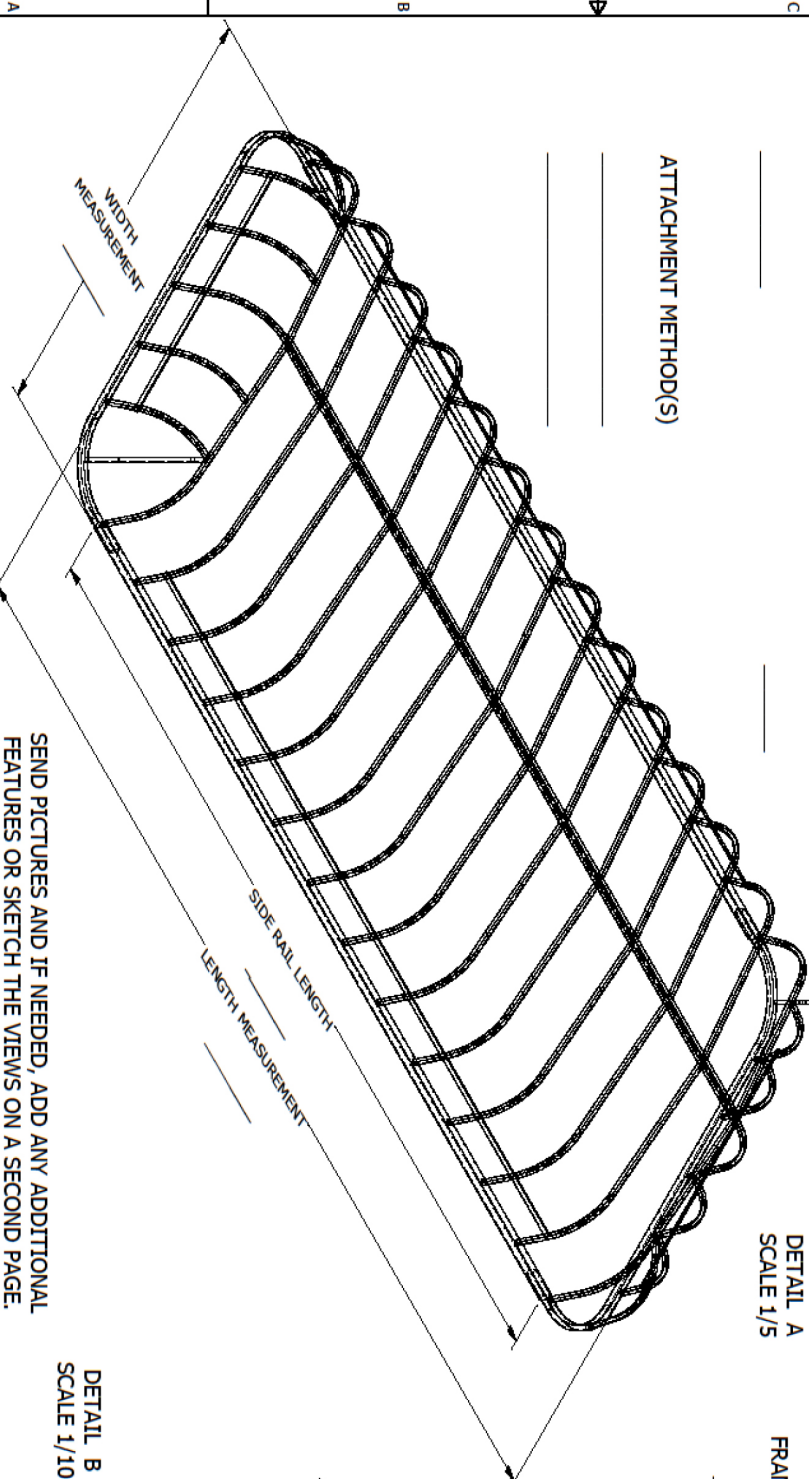
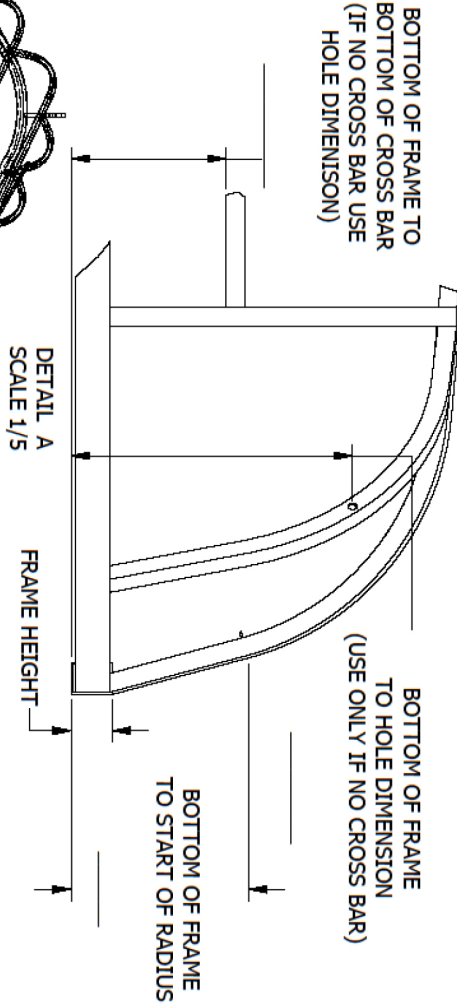
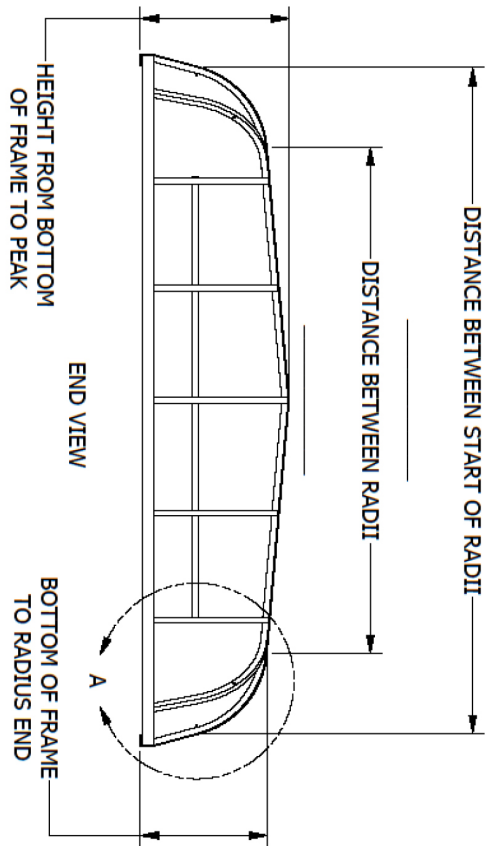
**CONTACT INFORMATION**

Name \_\_\_\_\_  
 Address \_\_\_\_\_  
 City \_\_\_\_\_ State \_\_\_\_\_ Zip \_\_\_\_\_  
 Phone \_\_\_\_\_ Fax \_\_\_\_\_  
 Boat Lift Brand \_\_\_\_\_

**NOTES**

\_\_\_\_\_  
 \_\_\_\_\_  
 \_\_\_\_\_

| REVISONS |          |           |                    | ISSUER |
|----------|----------|-----------|--------------------|--------|
| REV      | ECN      | DATE      | DESCRIPTION        | RML    |
| A        | EC-00469 | 10/4/2016 | RELEASE            | RML    |
| B        | EC-00723 | 6/25/2018 | ADD HOLE DIMENSION | RML    |



SEND PICTURES AND IF NEEDED, ADD ANY ADDITIONAL FEATURES OR SKETCH THE VIEWS ON A SECOND PAGE.

TOLERANCES - UNLESS NOTED

DECIMAL ±  
FRACTION ±  
ANGLE ±

**ROUND CORNER FRAME DETAIL SHEET**

|               |                  |            |          |                |         |
|---------------|------------------|------------|----------|----------------|---------|
| OBJECT: RML   | DATE: 10/10/2016 | SCALE: 1/1 | SHEET: 1 | PART NO: F-134 | SIZE: C |
| DRAWN BY: CMG | DATE: 10/10/2016 | SCALE: 1/1 | SHEET: 1 | PART NO: F-134 | SIZE: C |