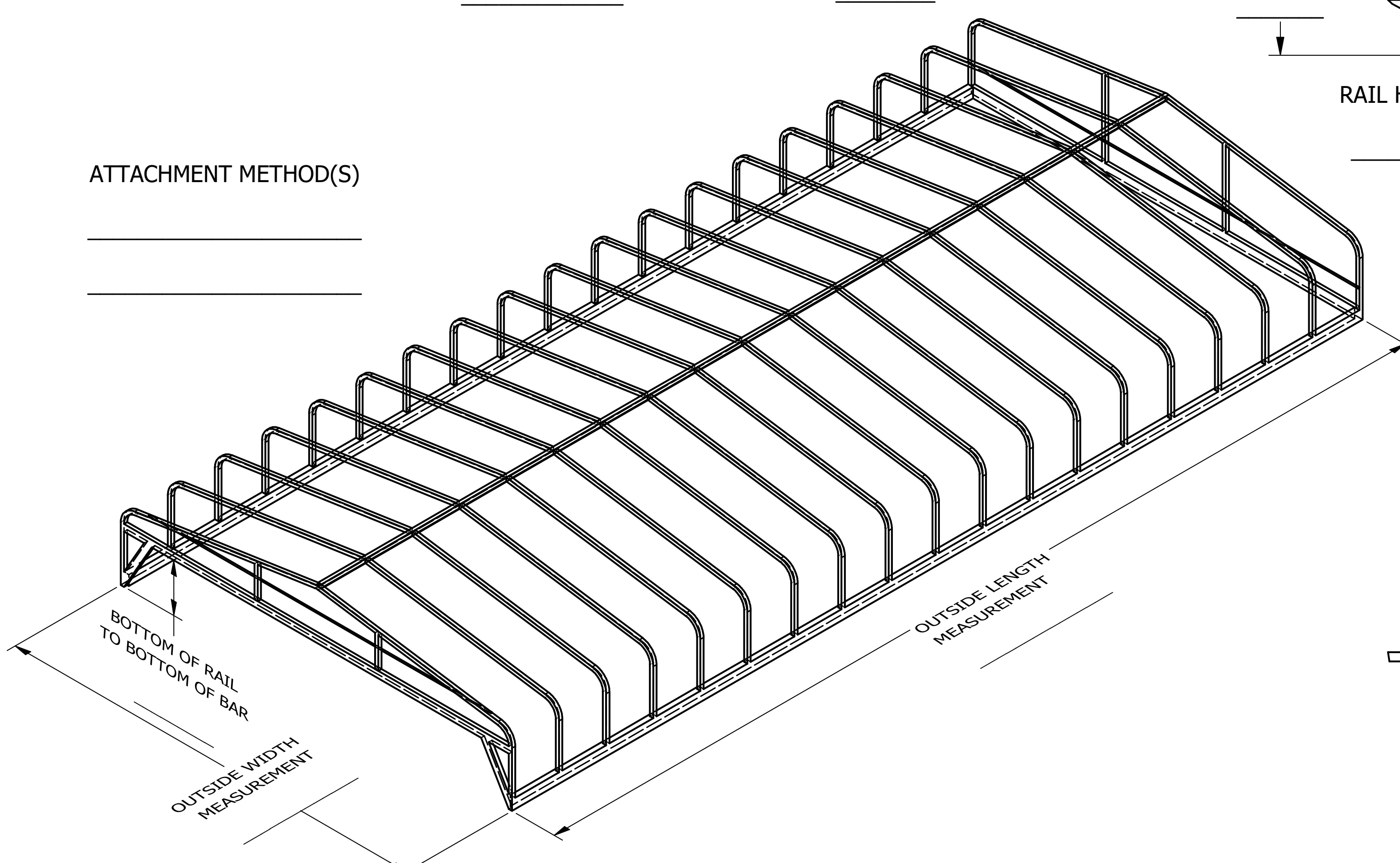
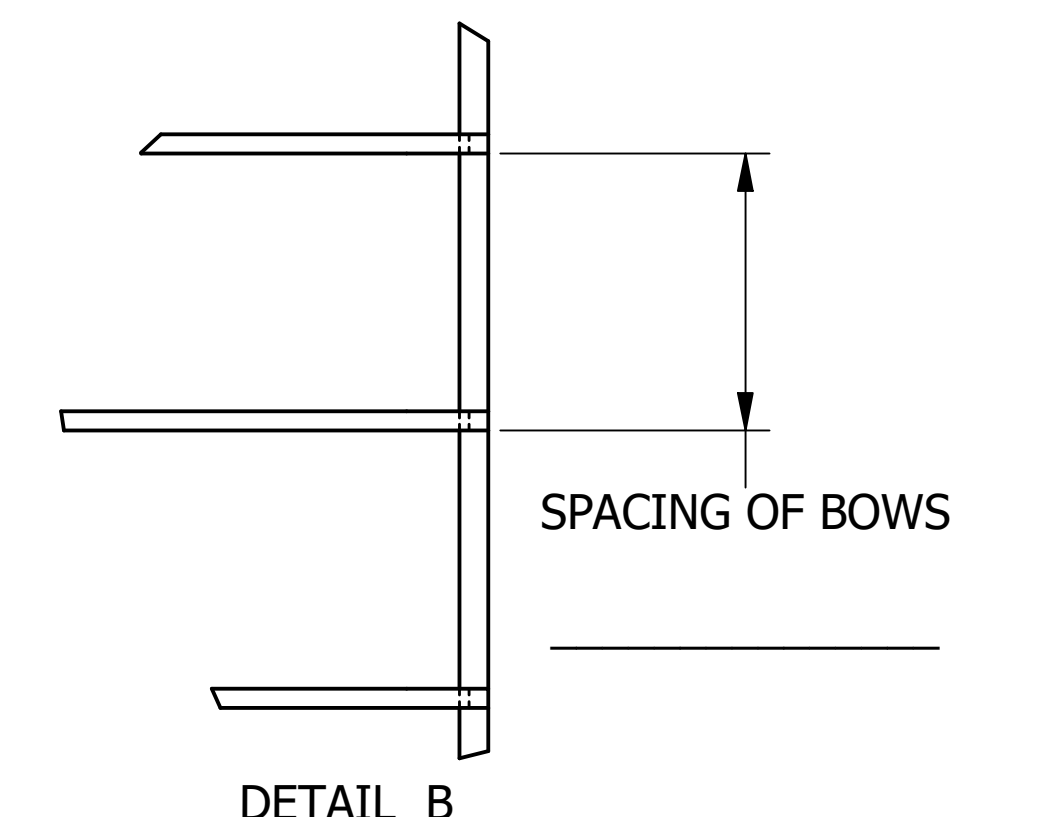
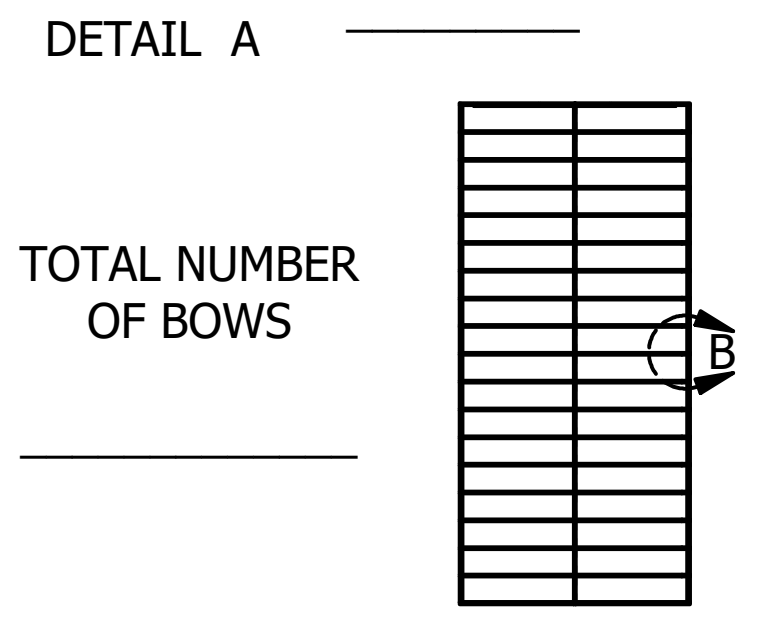
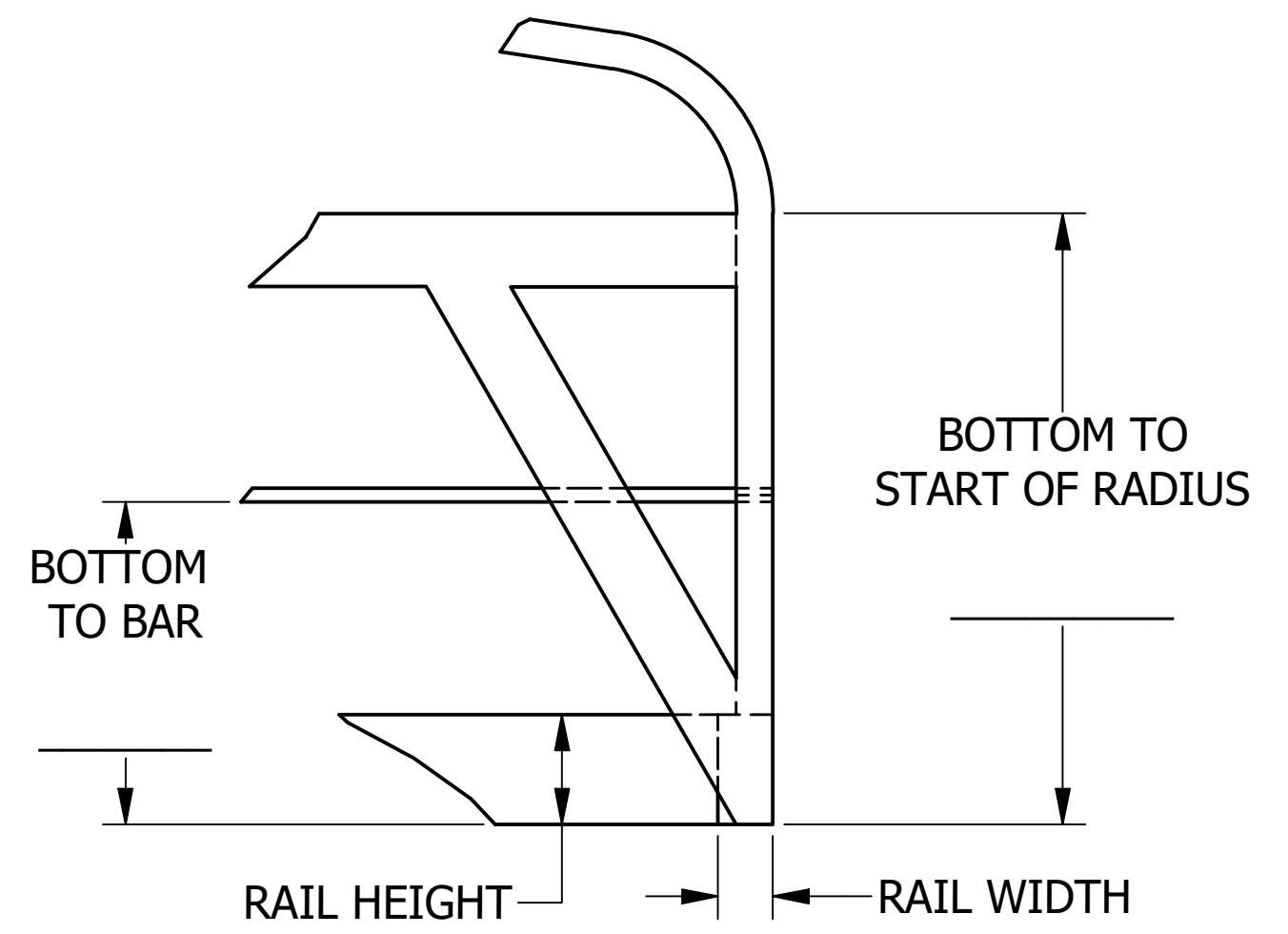
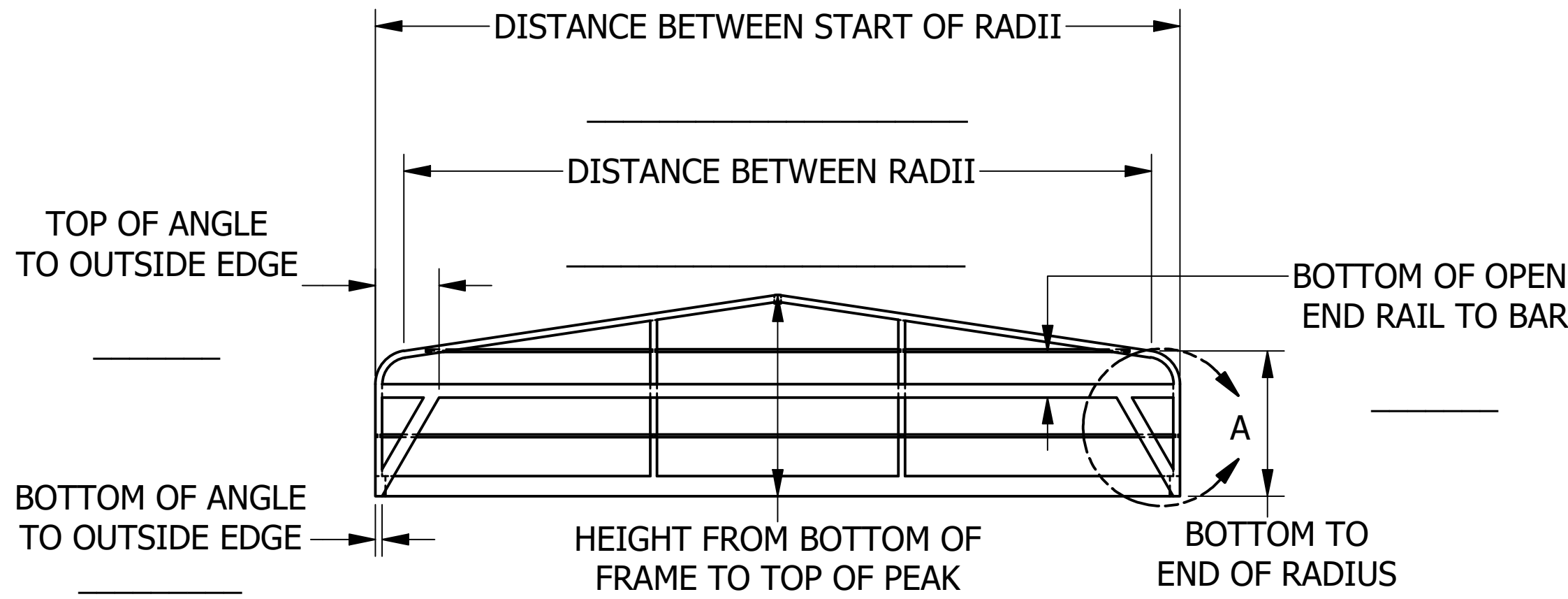


REVISIONS				
REV	ECN	DATE	DESCRIPTION	ISSUER
A	EC-00852	4/18/2019	RELEASE	RML



TOLERANCES - UNLESS NOTED DECIMAL ± FRACTION ± ANGLE ±		TITLE: CRAFTLANDER HIGH TOP OPEN END FRAME DETAIL SHEET		SIZE: C
		1314 Walnut St. - Springfield, SD 57062 605-369-6000	DRFT: robert.lambert ENGR: CRH	DATE: 4/18/2019 DATE: 4/18/2019

NOTICE THIS ILLUSTRATION IS THE PROPERTY OF RUSH-CO, AND MUST NOT BE USED IN ANY WAY DETRIMENTAL TO RUSH-CO'S INTERESTS.