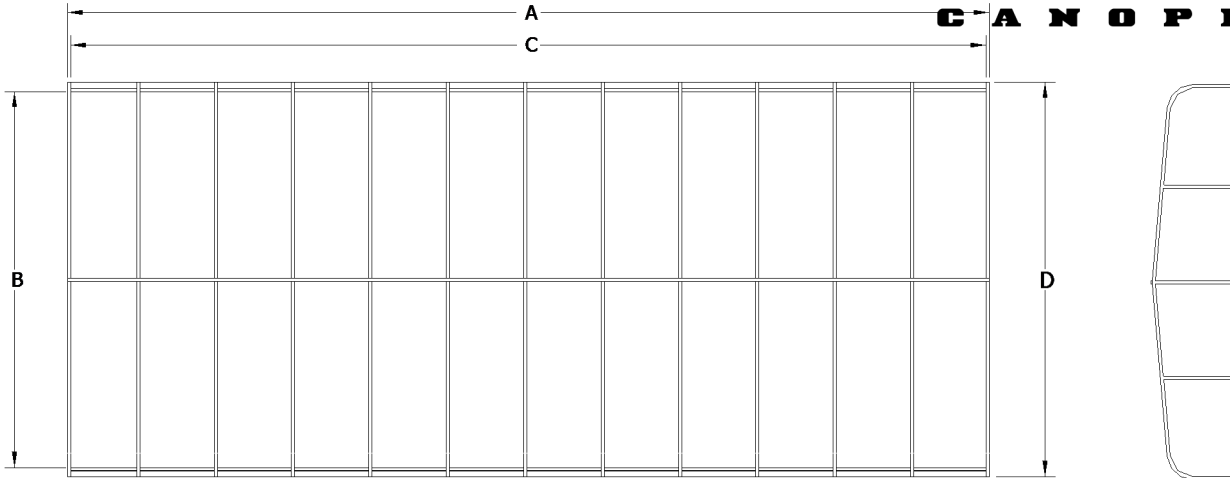


Attn: \_\_\_\_\_

**DuraLift® Frame Specification Sheet**



**\*ALL MEASUREMENTS (±1")**

PART NO.	SIZE	OVERALL LENGTH "A"	INSIDE WIDTH "B"	SIDE RAIL LENGTH "C"	OUTSIDE WIDTH "D"
DL2000096	20' X 96"	20'	96"	19' 8"	100"
DL0600108	6' X 108"	6'	108"	5' 8"	112"
DL1200108	12' X 108"	12'	108"	11' 8"	112"
DL1206108	12' 6" X 108"	12' 6"	108"	12' 2"	112"
DL1300108	13' X 108"	13'	108"	12' 8"	112"
DL1400108	14' X 108"	14'	108"	13' 8"	112"
DL1800108	18' X 108"	18'	108"	17' 8"	112"
DL2000108	20' X 108"	20'	108"	19' 8"	112"
DL2200108	22' X 108"	22'	108"	21' 8"	112"
DL2400108	24' X 108"	24'	108"	23' 8"	112"
DL2600108	26' X 108"	26'	108"	25' 8"	112"
DL0602120	6' 2" X 120"	6' 2"	116"	5' 10"	120"
DL1200120	12' X 120"	12'	116"	11' 8"	120"
DL2000120	20' X 120"	20'	116"	19' 8"	120"
DL2200120	22' X 120"	22'	116"	21' 8"	120"
DL2400120	24' X 120"	24'	116"	23' 8"	120"
DL2600120	26' X 120"	26'	116"	25' 8"	120"
DL2800120	28' X 120"	28'	116"	27' 8"	120"
DL3000120	30' X 120"	30'	116"	29' 8"	120"
DL3600120	36' X 120"	36'	116"	35' 8"	120"
DL2000138	20' X 138"	20'	132"	19' 8"	138"
DL2400138	24' X 138"	24'	132"	23' 8"	138"
DL2600138	26' X 138"	26'	132"	25' 8"	138"
DL2800138	28' X 138"	28'	132"	27' 8"	138"
DL3000138	30' X 138"	30'	132"	29' 8"	138"
DL3200138	32' X 138"	32'	132"	31' 8"	138"

**ATTACHMENT**

Grommet strip with customer supplied zip ties.

STANDARD VALANCE: 8" VALANCE

**OUTSIDE DIMENSIONS**

- A \_\_\_\_\_ OVERALL LENGTH OF FRAME
- B \_\_\_\_\_ INSIDE WIDTH OF FRAME
- C \_\_\_\_\_ LENGTH OF SIDE RAILS (W/O ENDS)
- D \_\_\_\_\_ OUTSIDE WIDTH OF FRAME

**CONTACT INFORMATION**

Name \_\_\_\_\_  
 Address \_\_\_\_\_  
 City \_\_\_\_\_ State \_\_\_\_\_ Zip \_\_\_\_\_  
 Phone \_\_\_\_\_ Fax \_\_\_\_\_  
 Boat Lift Brand \_\_\_\_\_

**NOTES**

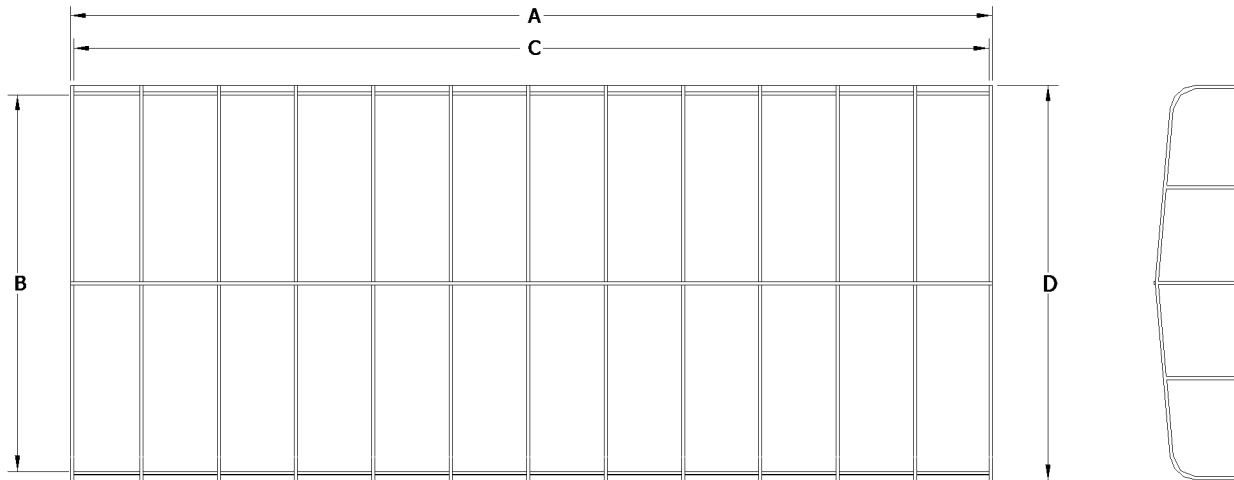
\_\_\_\_\_  
 \_\_\_\_\_  
 \_\_\_\_\_  
 \_\_\_\_\_

**\*\*If dimensions don't match above, fill out detail sheet on page 3\*\***

Fax 1.605.369.2112

Attn: \_\_\_\_\_

**DuraLift Frame Specification Sheet**



**\*ALL MEASUREMENTS (±1")**

PART NO.	SIZE	OVERALL LENGTH "A"	INSIDE WIDTH "B"	SIDE RAIL LENGTH "C"	OUTSIDE WIDTH "D"
DL3400138	34' X 138"	34'	132"	33' 8"	138"
DL3600138	36' X 138"	36'	132"	35' 8"	138"
DL1000144	10' X 144"	10'	140"	9' 8"	144"
DL1800156	18' X 156"	18'	152"	17' 8"	156"
DL3200156	32' X 156"	32'	152"	31' 8"	156"
DL3400156	34' X 156"	34'	152"	33' 8"	156"
DL3500156	35' X 156"	35'	152"	34' 8"	156"
DL3800156	38' X 156"	38'	152"	37' 8"	156"
DL4000156	40' X 156"	40'	152"	39' 8"	156"

**ATTACHMENT**

Grommet strip with customer supplied zip ties.

**OUTSIDE DIMENSIONS**

- A \_\_\_\_\_ OVERALL LENGTH OF FRAME
- B \_\_\_\_\_ INSIDE WIDTH OF FRAME
- C \_\_\_\_\_ LENGTH OF SIDE RAILS (W/O ENDS)
- D \_\_\_\_\_ OUTSIDE WIDTH OF FRAME

**\*\*If dimensions don't match above, fill out detail sheet on page 3\*\***

**CONTACT INFORMATION**

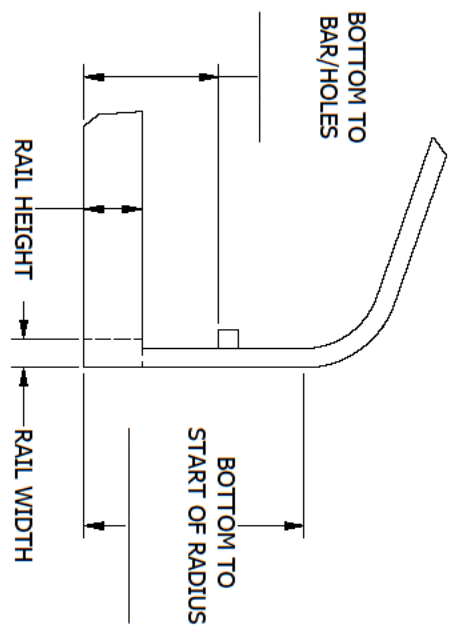
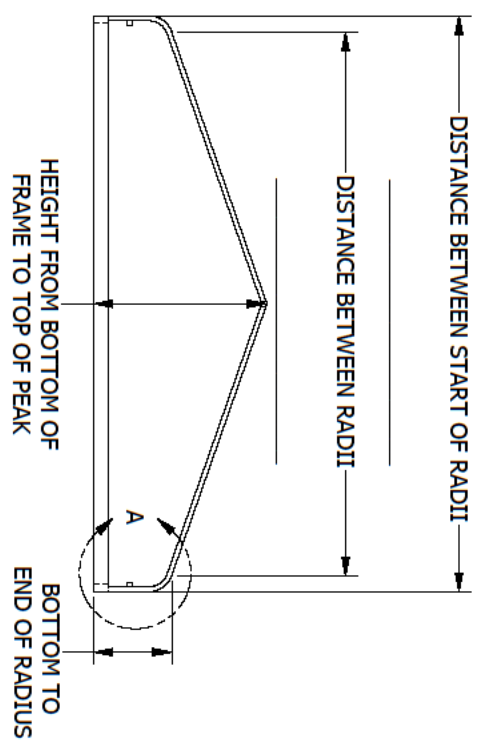
Name \_\_\_\_\_  
 Address \_\_\_\_\_  
 City \_\_\_\_\_ State \_\_\_\_\_ Zip \_\_\_\_\_  
 Phone \_\_\_\_\_ Fax \_\_\_\_\_  
 Boat Lift Brand \_\_\_\_\_

**NOTES**

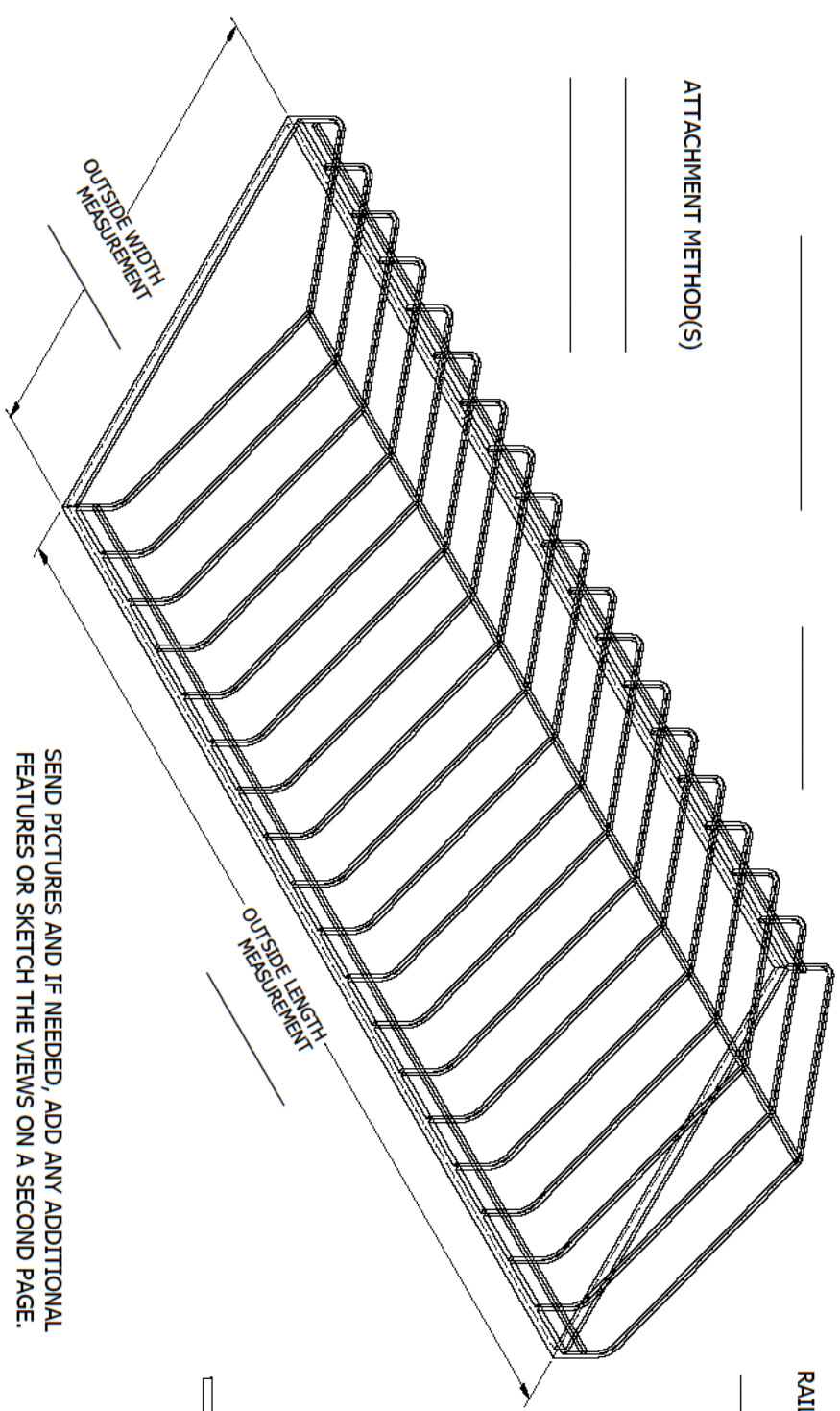
\_\_\_\_\_  
 \_\_\_\_\_  
 \_\_\_\_\_  
 \_\_\_\_\_

REV	ECN	DATE	DESCRIPTION	ISSUER
A	EC-00469	10/4/2016	RELEASE	RML

REVISIONS



ATTACHMENT METHOD(S)

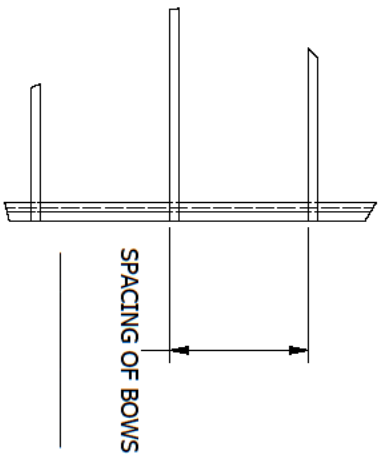


TOTAL NUMBER OF BOWS



SEND PICTURES AND IF NEEDED, ADD ANY ADDITIONAL FEATURES OR SKETCH THE VIEWS ON A SECOND PAGE.

DETAIL B



DETAIL A

DETAIL B

TOLERANCES - UNLESS NOTED

DECIMAL F.  
FRACTION F.  
ANGLE F.

TITLE: **PEAKED FLUSHED END FRAME DETAIL SHEET**

DWGT: RML  
ENGR: CMG

DATE: 10/4/2016  
DATE: 10/10/2016

SCALE: 1/1

SHEET: 1/1

PART NO: F-133

SIZE: C