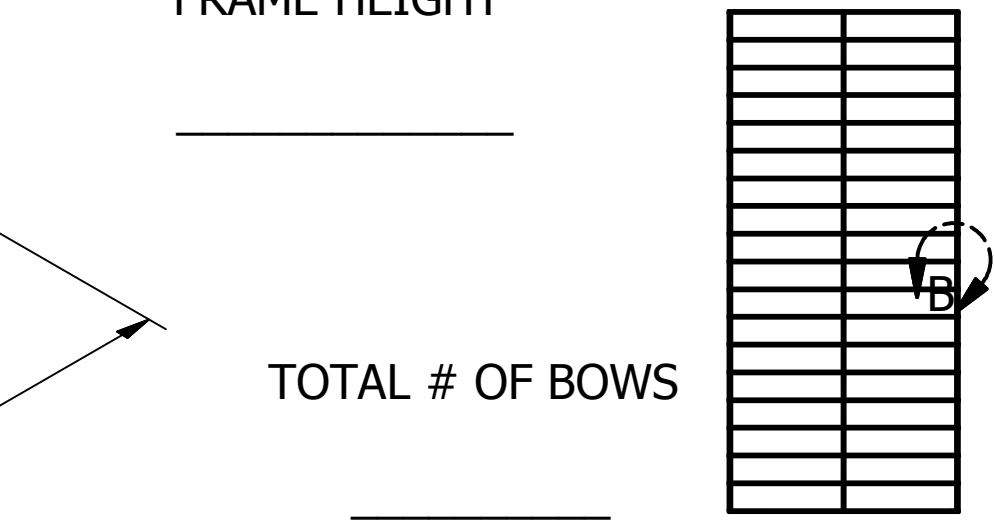
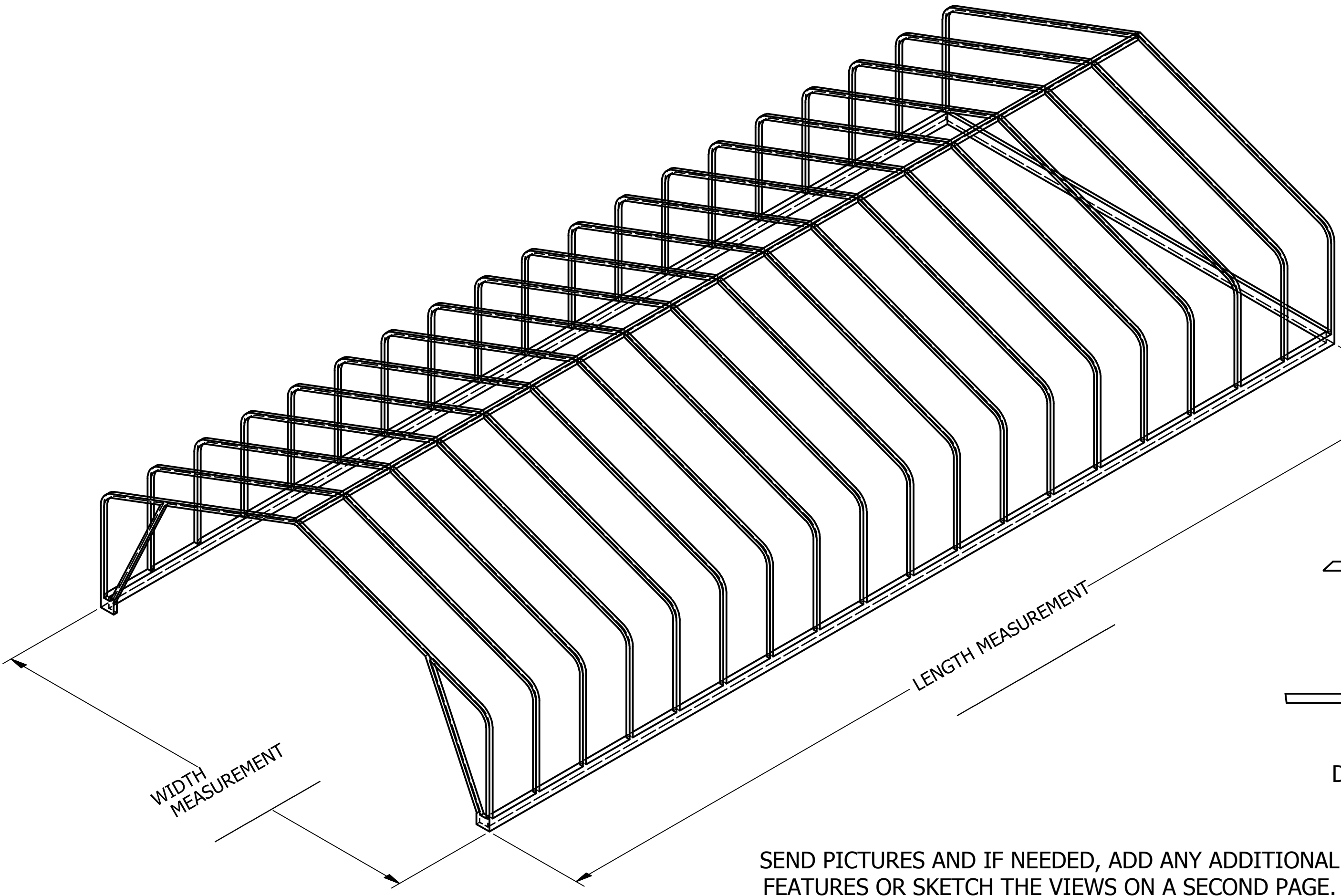
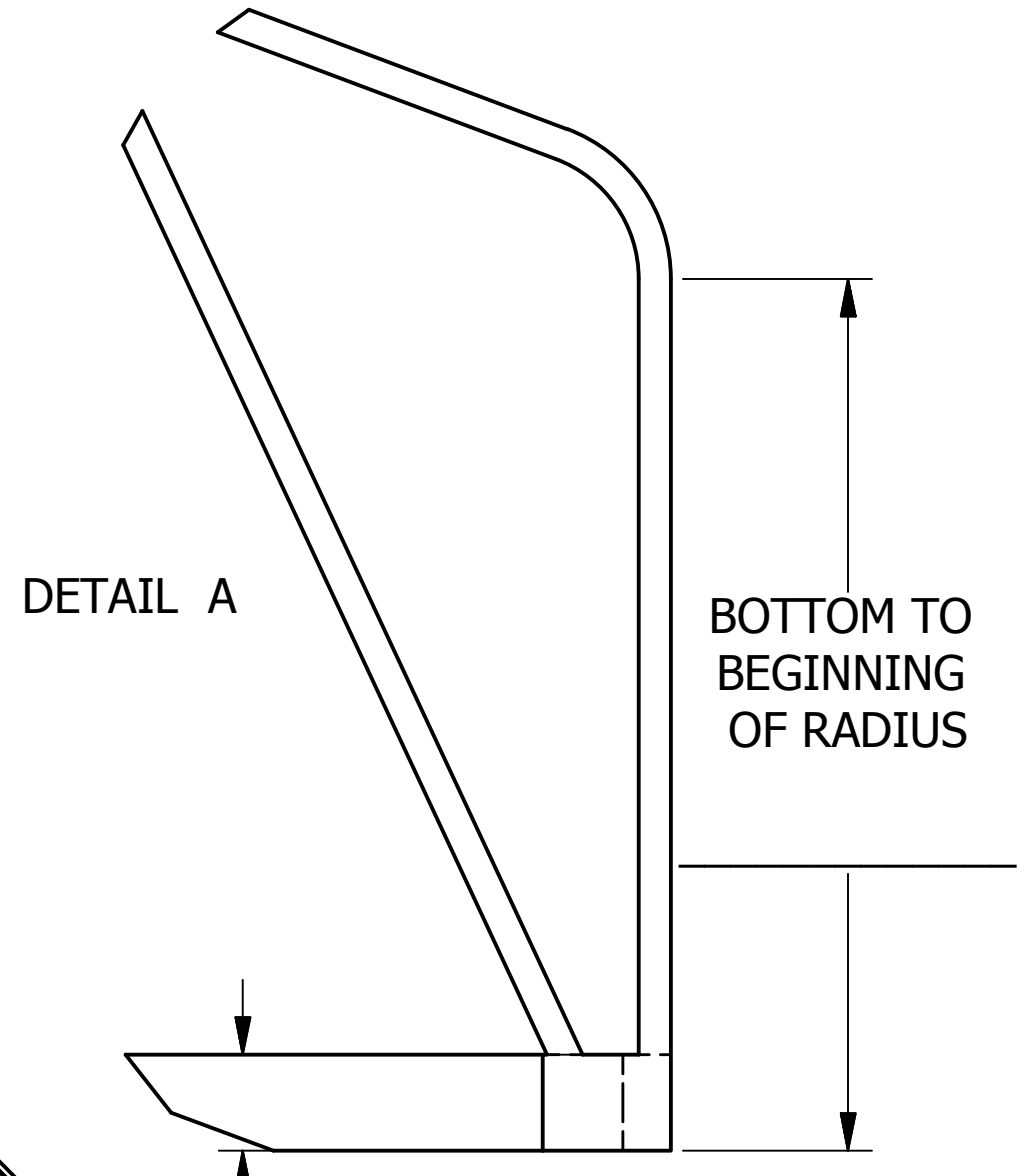
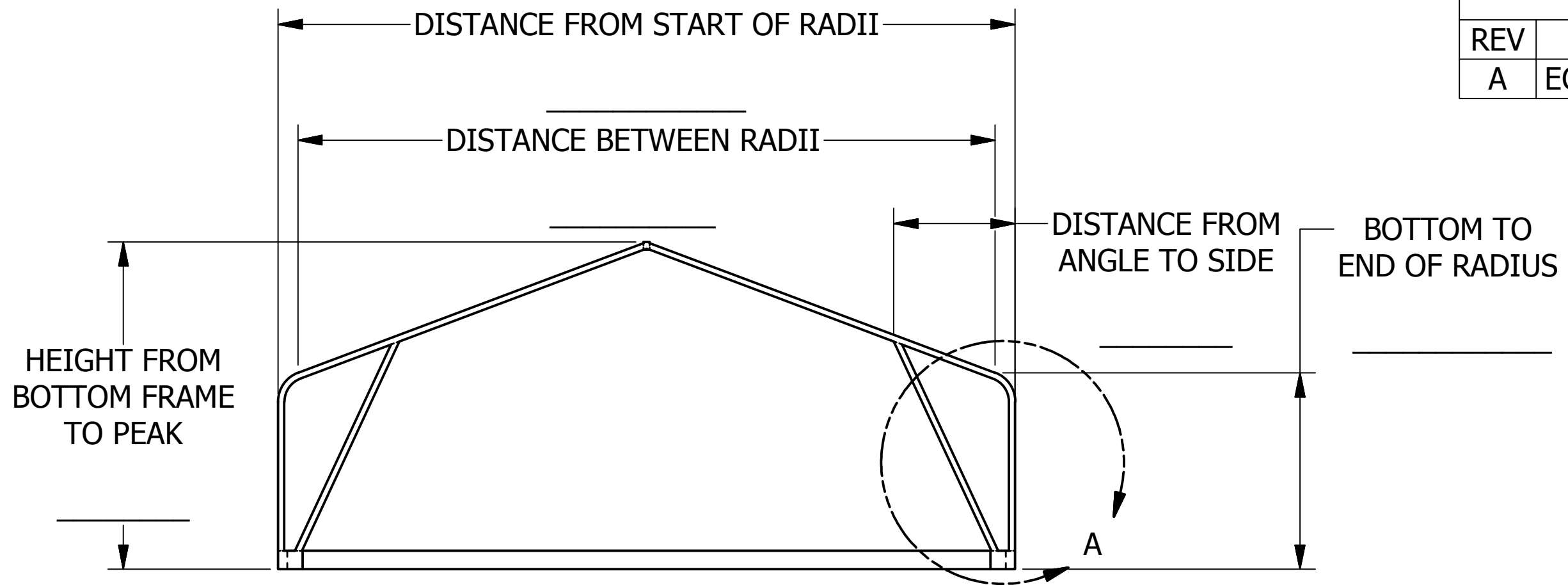


REVISIONS				
REV	ECN	DATE	DESCRIPTION	ISSUER
A	EC-00469	10/4/2016	RELEASE	RML



SEND PICTURES AND IF NEEDED, ADD ANY ADDITIONAL FEATURES OR SKETCH THE VIEWS ON A SECOND PAGE.

TOLERANCES - UNLESS NOTED
DECIMAL ±
FRACTION ±
ANGLE ±

TITLE: PEAKED TOWER FRAME DETAIL SHEET				SIZE C
DRFT: RML	DATE 11/20/2015	SCALE	SHEET 1	PART NO: F-139
ENGR: CWG	DATE 10/10/2016		1	