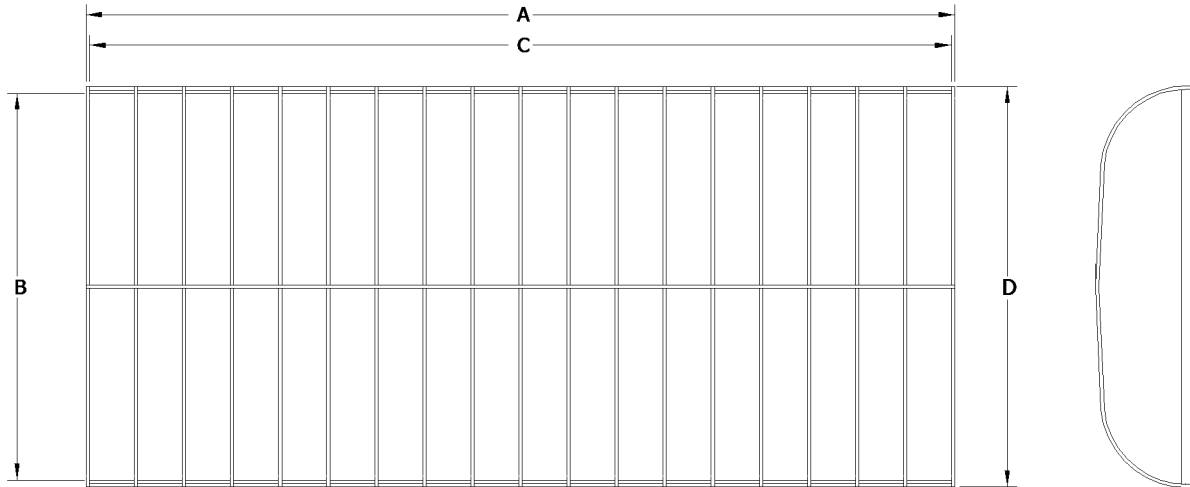


Attn: \_\_\_\_\_

**Vibo® Frame Specification Sheet**



**\*ALL MEASUREMENTS (±1")**

PART NO.	SIZE	OVERALL LENGTH "A"	INSIDE WIDTH "B"	SIDE RAIL LENGTH "C"	OUTSIDE WIDTH "D"
VB2000096	20' X 96"	20'	96"	19' 8"	102"
VB2200096	22' X 96"	22'	96"	21' 8"	102"
VB2400096	24' X 96"	24'	96"	23' 8"	102"
VB2600096	26' X 96"	26'	96"	25' 8"	102"
VB2800096	28' X 96"	28'	96"	27' 8"	102"
VB2000108	20' X 108"	20'	108"	19' 8"	114"
VB2200108	22' X 108"	22'	108"	21' 8"	114"
VB2400108	24' X 108"	24'	108"	23' 8"	114"
VB2600108	26' X 108"	26'	108"	25' 8"	114"
VB2800108	28' X 108"	28'	108"	27' 8"	114"
VB2200114	22' X 114"	22'	114"	21' 8"	120"
VB2400114	24' X 114"	24'	114"	23' 8"	120"
VB2600114	26' X 114"	26'	114"	25' 8"	120"
VB2800114	28' X 114"	28'	114"	27' 8"	120"
VB2200120	22' X 120"	22'	120"	21' 8"	126"
VB2400120	24' X 120"	24'	120"	23' 8"	126"
VB2600120	26' X 120"	26'	120"	25' 8"	126"
VB2800120	28' X 120"	28'	120"	27' 8"	126"

**ATTACHMENT**

Continuous bungee runs along all four sides and loops over a small hook attached to each bow.

STANDARD VALANCE: 10" VALANCE

**OUTSIDE DIMENSIONS**

- A \_\_\_\_\_ OVERALL LENGTH OF FRAME
- B \_\_\_\_\_ INSIDE WIDTH OF FRAME
- C \_\_\_\_\_ LENGTH OF SIDE RAILS (W/O ENDS)
- D \_\_\_\_\_ OUTSIDE WIDTH OF FRAME

**CONTACT INFORMATION**

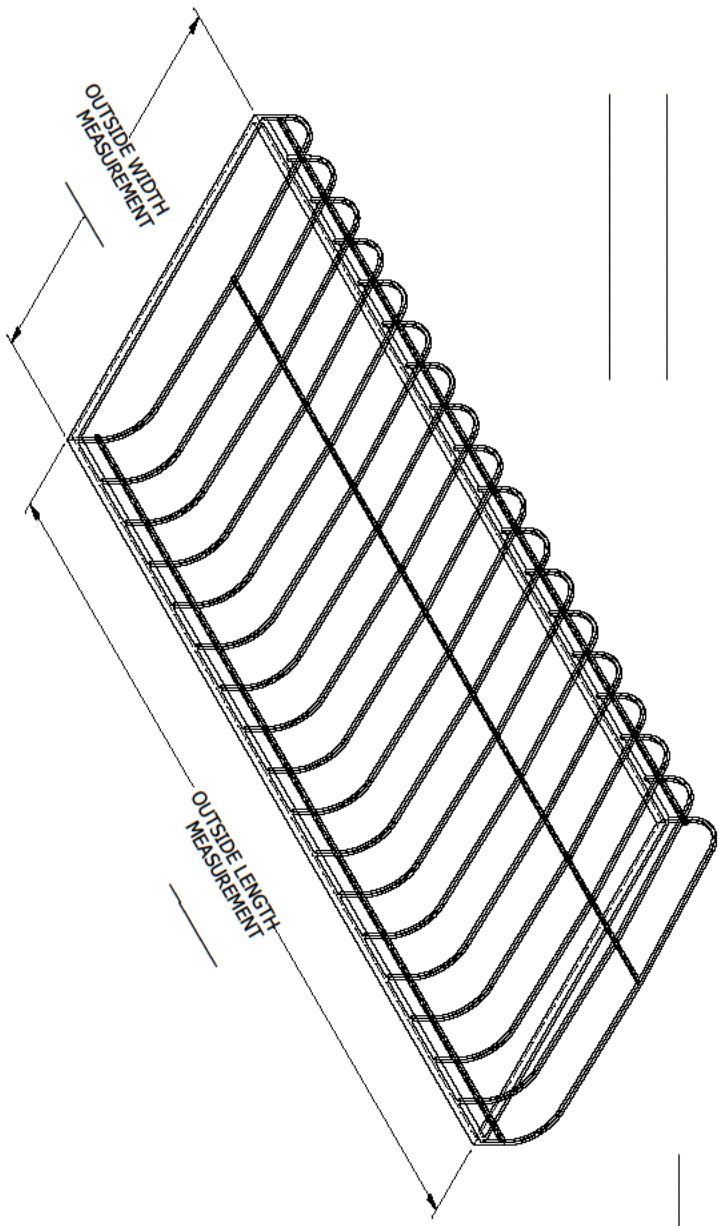
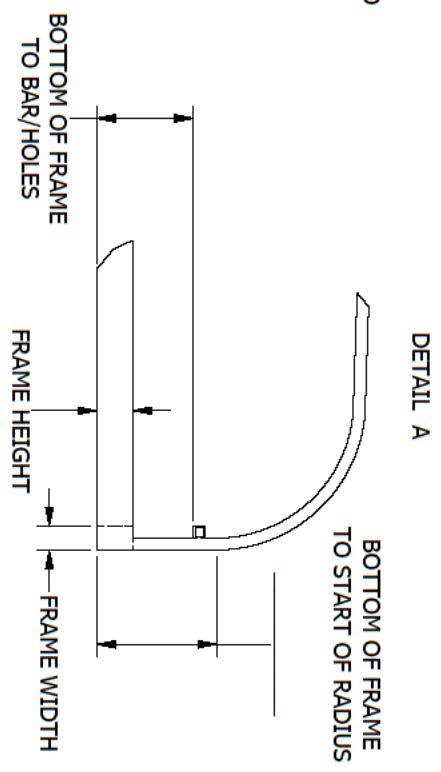
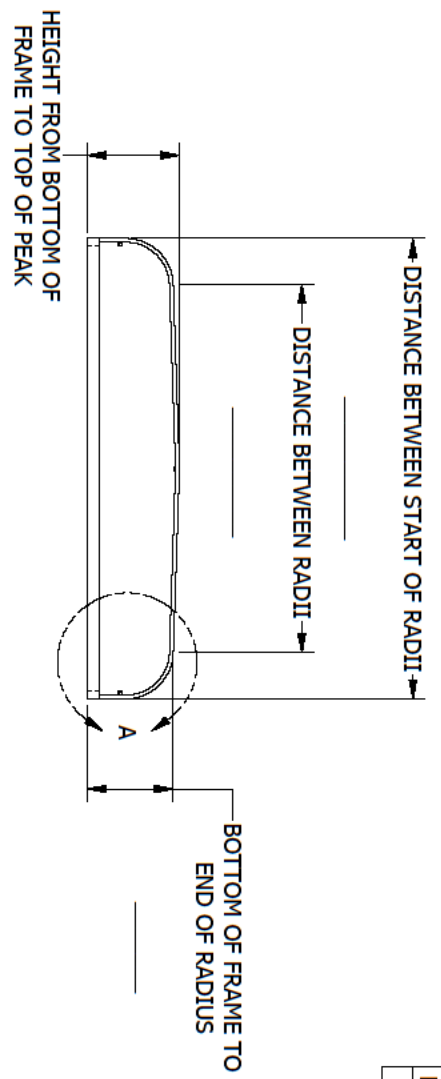
Name \_\_\_\_\_  
 Address \_\_\_\_\_  
 City \_\_\_\_\_ State \_\_\_\_\_ Zip \_\_\_\_\_  
 Phone \_\_\_\_\_ Fax \_\_\_\_\_  
 Boat Lift Brand \_\_\_\_\_

**\*\*If dimensions don't match above, fill out detail sheet on page 2\*\***

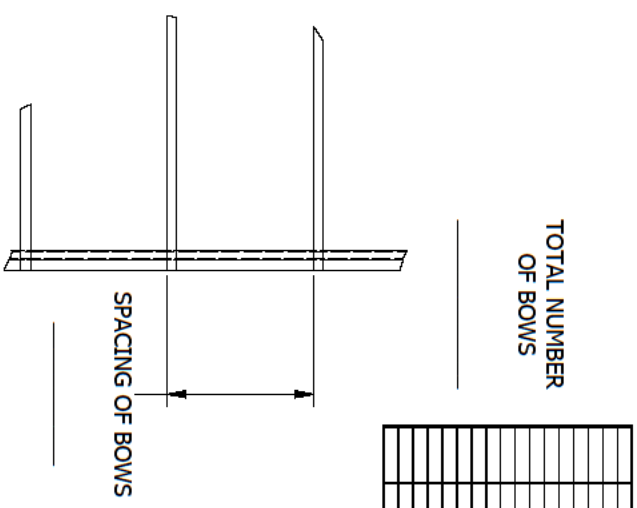
**NOTES**

\_\_\_\_\_  
 \_\_\_\_\_  
 \_\_\_\_\_

REVISIONS				ISSUER
REV	ECN	DATE	DESCRIPTION	RML
A	EC-00469	10/4/2016	RELEASE	RML



SEND PICTURES AND IF NEEDED, ADD ANY ADDITIONAL FEATURES OR SKETCH THE VIEWS ON A SECOND PAGE.



TOLERANCES - UNLESS NOTED		TITLE:		SIZE	
DECIMAL F.	FRACTION F.	FLAT FRONT FRAME DETAIL SHEET		C	
ANGLE F.		PART NO: F-130			
DRAWN: TJS	DATE: 4/10/2014	SCALE: 1	SHEET: 1		
ENGR: CWS	DATE: 10/10/2016				