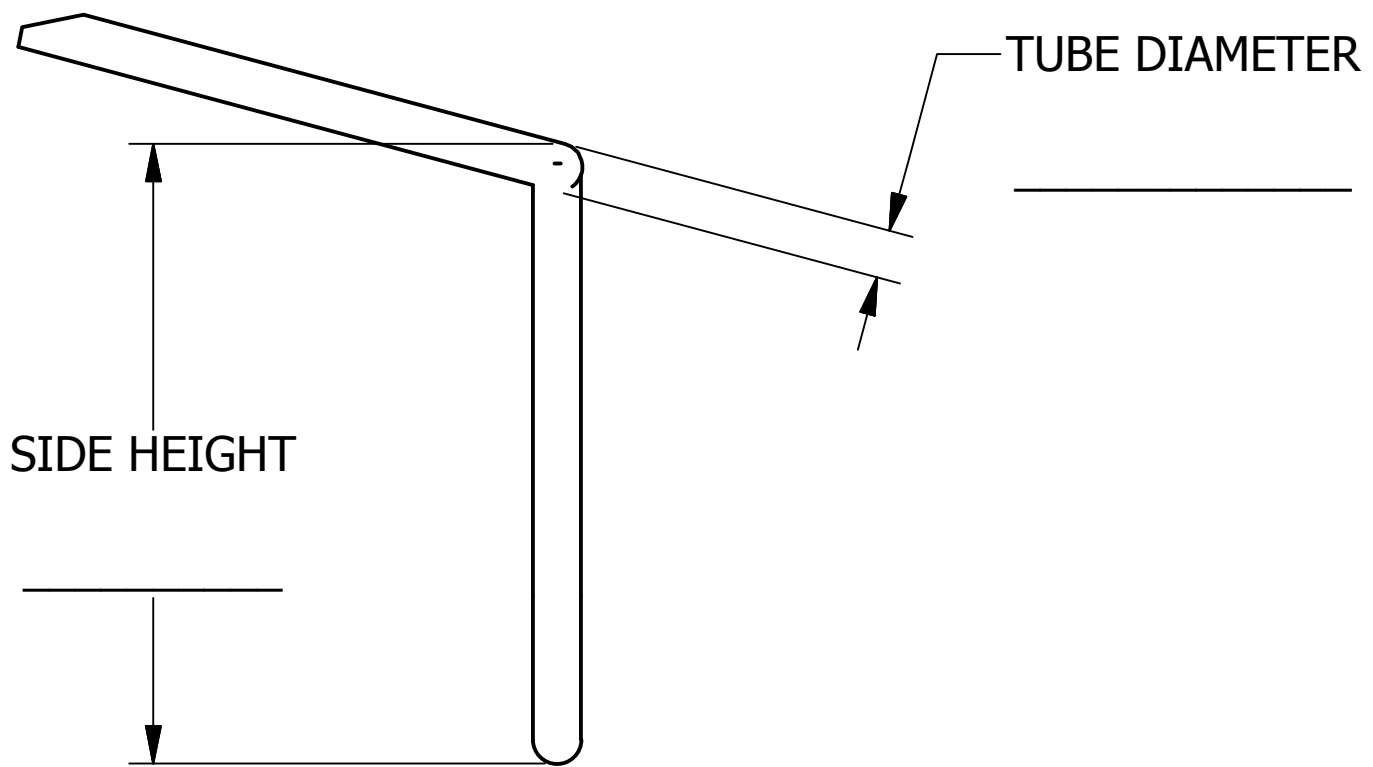
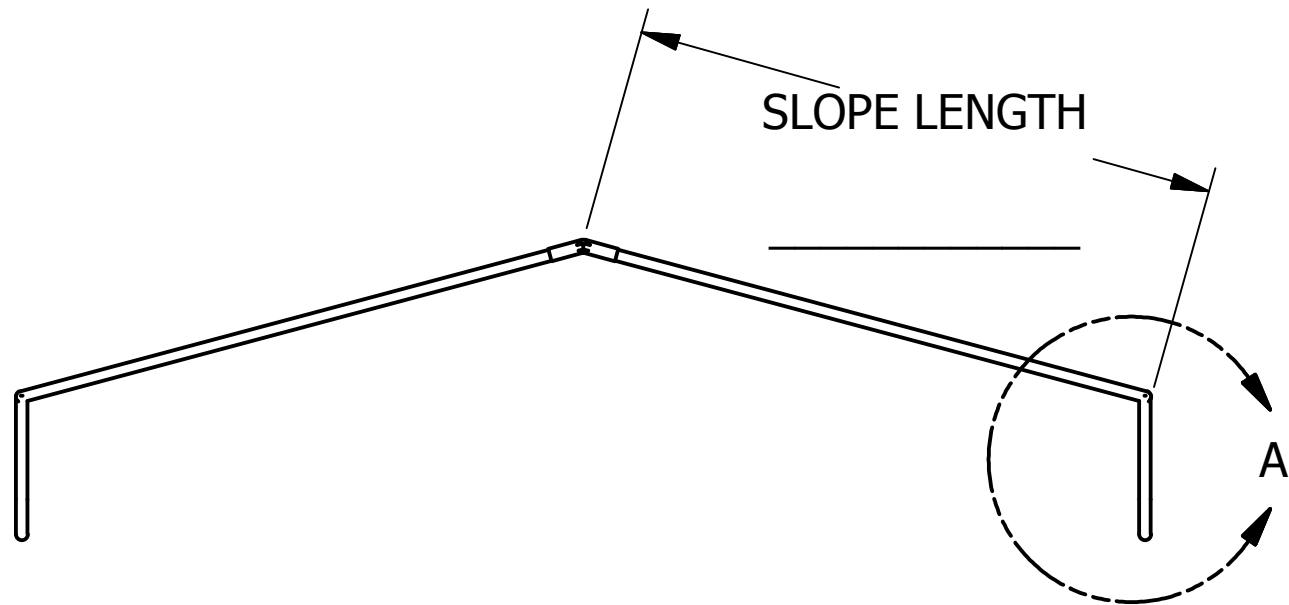
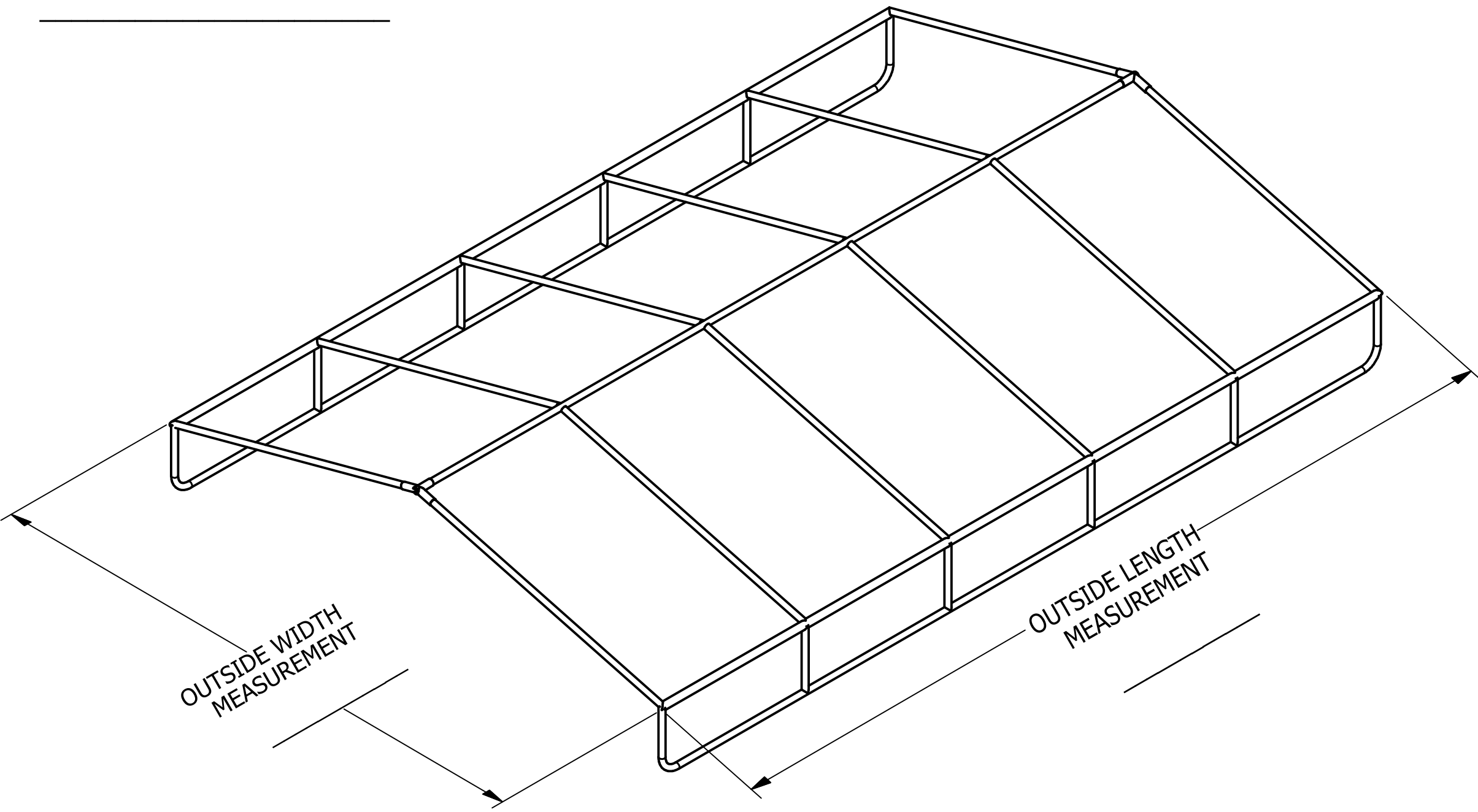


REVISIONS				
REV	ECN	DATE	DESCRIPTION	ISSUER
A	EC-00469	10/4/2016	RELEASE	RML

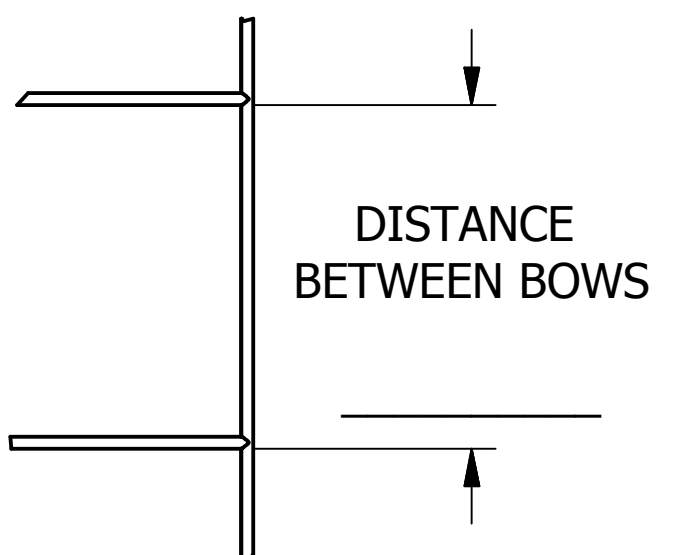
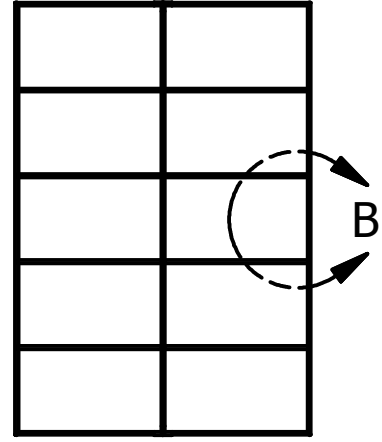


DETAIL A

ATTACHMENT METHOD(S)



TOTAL NUMBER OF BOWS



DETAIL B

SEND PICTURES AND IF NEEDED, ADD ANY ADDITIONAL FEATURES OR SKETCH THE VIEWS ON A SECOND PAGE.

TOLERANCES - UNLESS NOTED
DECIMAL ±
FRACTION ±
ANGLE ±

TITLE: STANDARD PEAK TOP W/DROP FRAME DETAIL SHEET			SIZE C
DRFT: RML	DATE 2/15/2016	SCALE	SHEET 1
ENGR: CWG	DATE 10/10/2016		PART NO: F-146