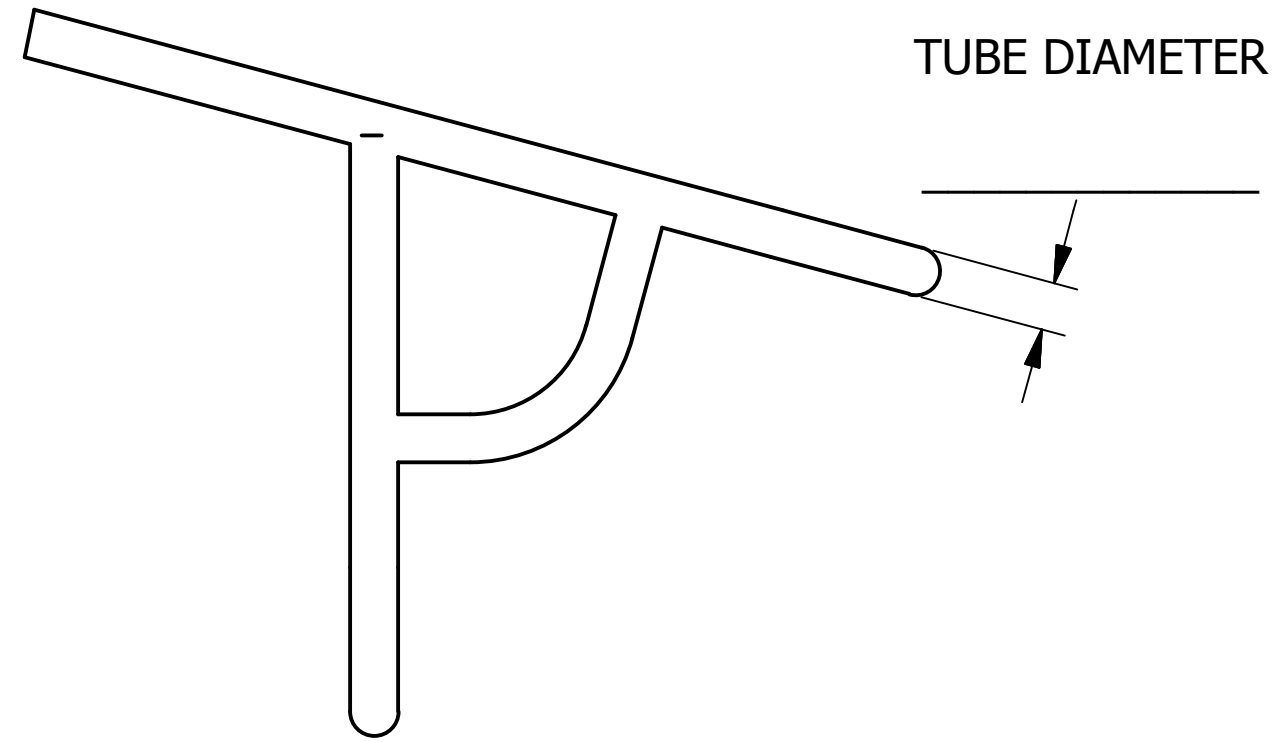
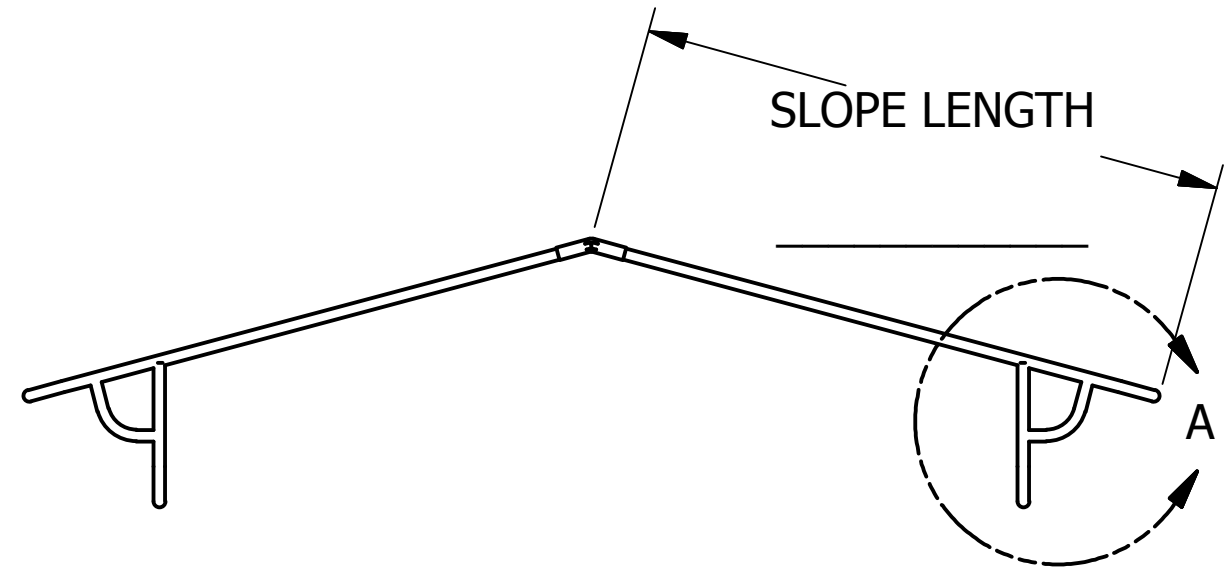
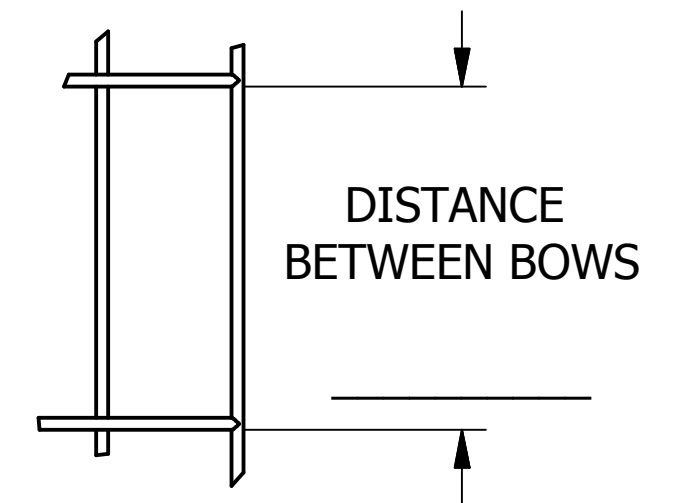
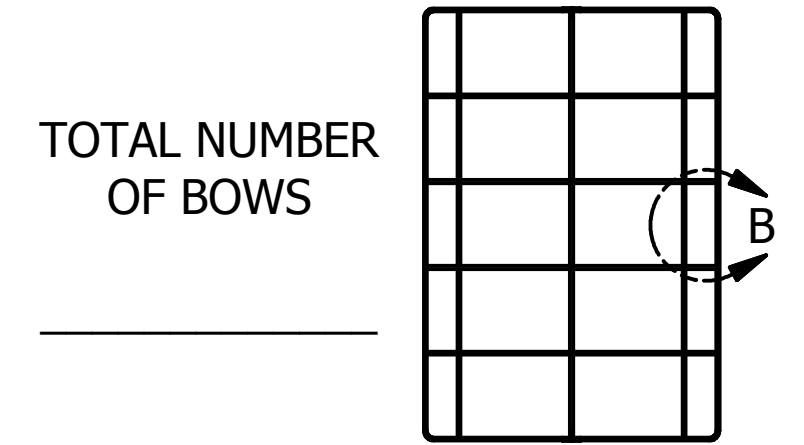
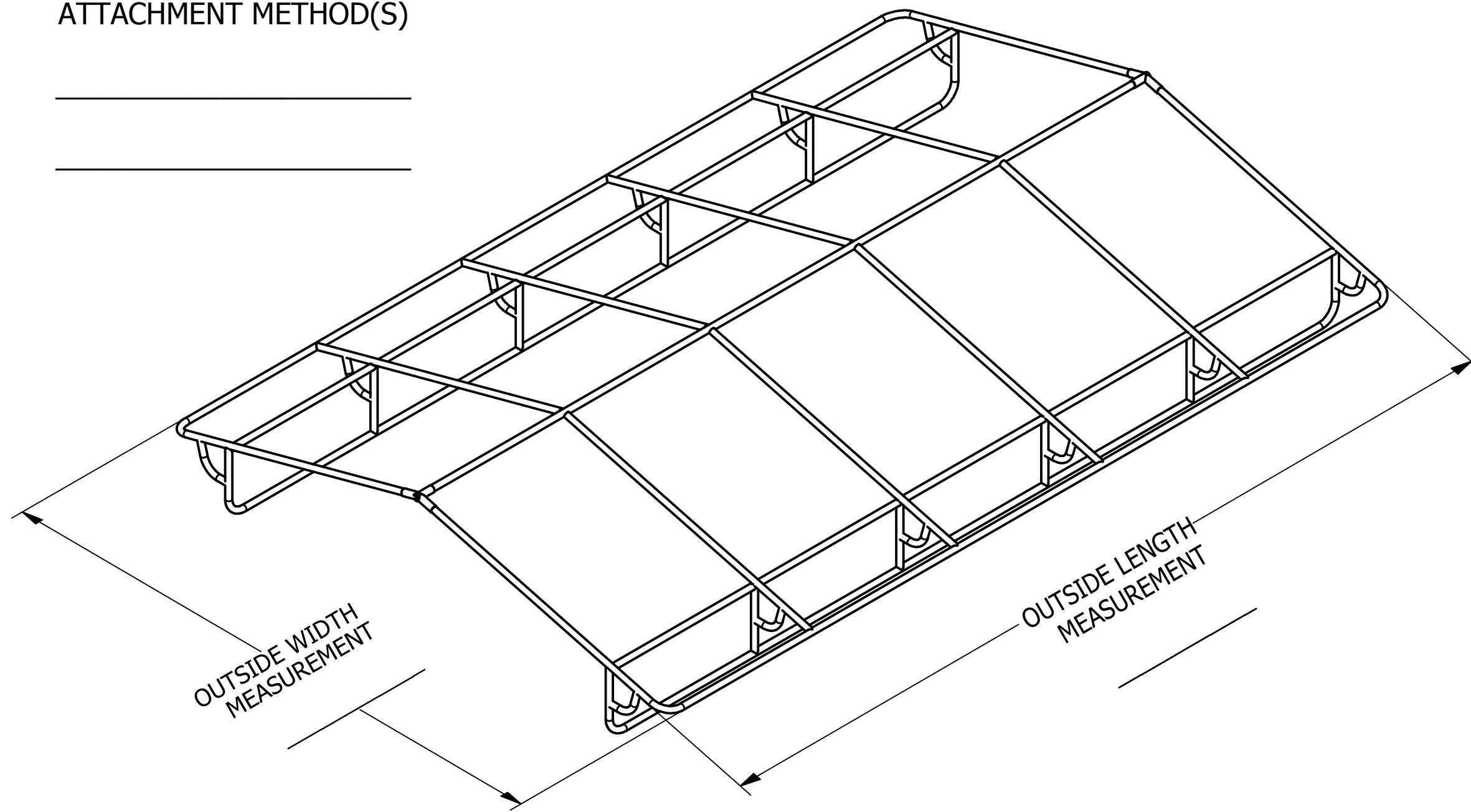
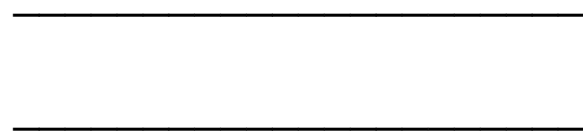


REVISIONS				
REV	ECN	DATE	DESCRIPTION	ISSUER
A	EC-00469	10/4/2016	RELEASE	RML



DETAIL A

ATTACHMENT METHOD(S)



DETAIL B

SEND PICTURES AND IF NEEDED, ADD ANY ADDITIONAL FEATURES OR SKETCH THE VIEWS ON A SECOND PAGE.

TOLERANCES - UNLESS NOTED
DECIMAL ±
FRACTION ±
ANGLE ±

TITLE: <b>STANDARD PEAK TOP FRAME DETAIL SHEET</b>			SIZE <b>C</b>
DRFT: <b>RML</b>	DATE <b>2/15/2016</b>	SCALE	SHEET <b>1</b>
ENGR: <b>CWG</b>	DATE <b>10/10/2016</b>		PART NO: <b>F-145</b>