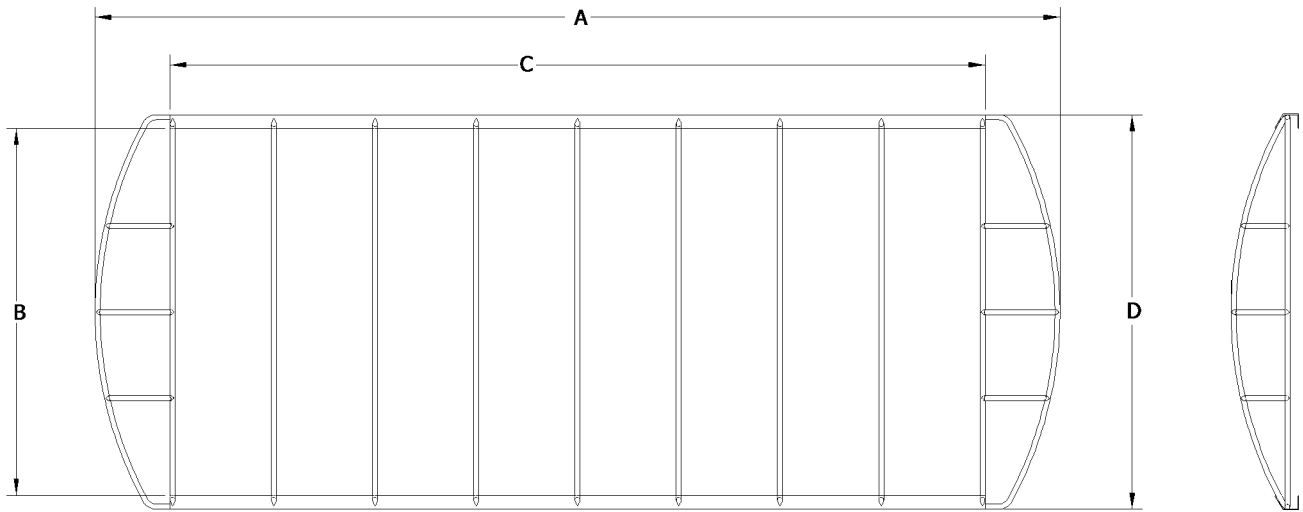


Attn: \_\_\_\_\_

**Shorestation™ Midwest Steel Frame  
Specification Sheet**



**\*ALL MEASUREMENTS (±1")**

PART NO.	SIZE	INSIDE WIDTH "B"	SIDE RAIL LENGTH "C"	OUTSIDE WIDTH "D"
MS1900082	19' X 82"	82"	16' 4"	89"
MS1900098	19' X 98"	98"	16' 4"	105"
MS2100098	21' X 98"	98"	18' 4"	105"
MS2300098	23' X 98"	98"	20' 4"	105"
MS2300110	23' X 110"	110"	20' 4"	117"

**\*\*If dimensions don't match above,  
fill out detail sheet on page 2\*\***

**OUTSIDE DIMENSIONS**

- A \_\_\_\_\_ OVERALL LENGTH OF FRAME
- B \_\_\_\_\_ INSIDE WIDTH OF FRAME
- C \_\_\_\_\_ LENGTH OF SIDE RAILS (W/O ENDS)
- D \_\_\_\_\_ OUTSIDE WIDTH OF FRAME

**ATTACHMENT**

Continuous bungee on each side and end connect by s-hook to holes punched in each bow

OR

Continuous bungee loops over plastic pucks at each bow

STANDARD VALANCE: 20" VALANCE

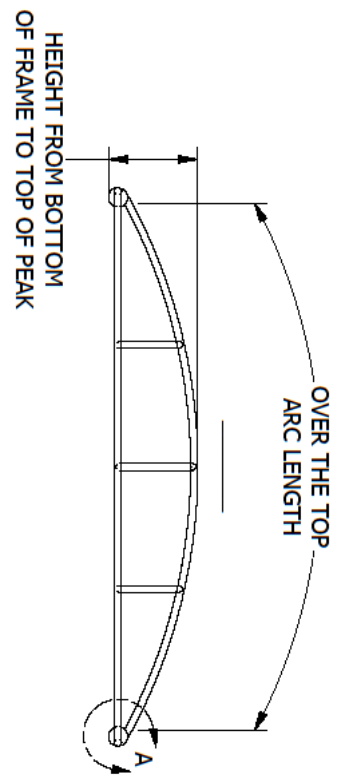
**CONTACT INFORMATION**

Name \_\_\_\_\_  
 Address \_\_\_\_\_  
 City \_\_\_\_\_ State \_\_\_\_\_ Zip \_\_\_\_\_  
 Phone \_\_\_\_\_ Fax \_\_\_\_\_  
 Boat Lift Brand \_\_\_\_\_

**NOTES**

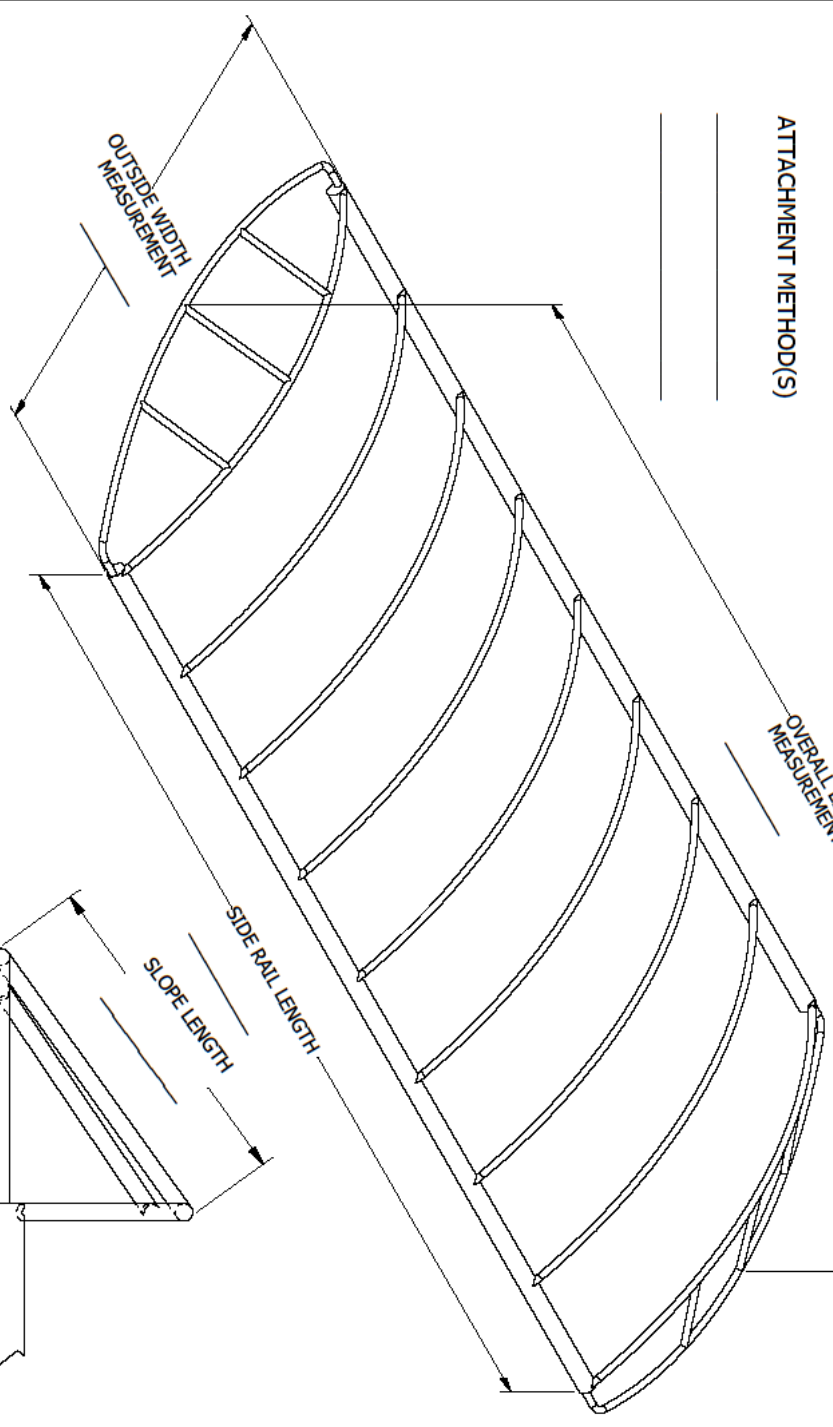
\_\_\_\_\_  
 \_\_\_\_\_  
 \_\_\_\_\_

REVISIONS				ISSUER
REV	ECN	DATE	DESCRIPTION	RML
A	EC-00469	10/4/2016	RELEASE	RML



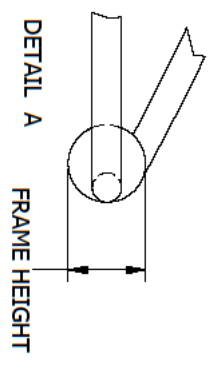
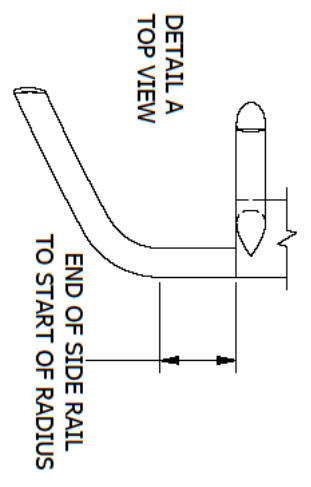
ATTACHMENT METHOD(S)

OVERALL LENGTH MEASUREMENT

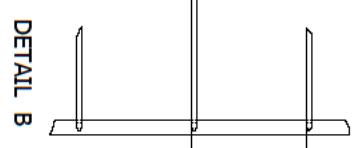
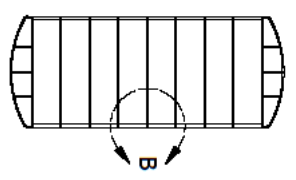


SEND PICTURES AND IF NEEDED, ADD ANY ADDITIONAL FEATURES OR SKETCH THE VIEWS ON A SECOND PAGE.

LOOKING AT END CAP FROM SIDE  
MEASURE ON CENTERLINE



TOTAL NUMBER OF BOWS



TOLERANCES - UNLESS NOTED

DECIMAL F  
FRACTION F  
ANGLE F

TITLE: **ROUNDED END FRAME DETAIL SHEET**

DRAWN: RML  
ENGR: OWS

DATE: 4/10/2014  
DATE: 10/10/2016

SCALE

SHEET 1

PART NO: F-135

SIZE C