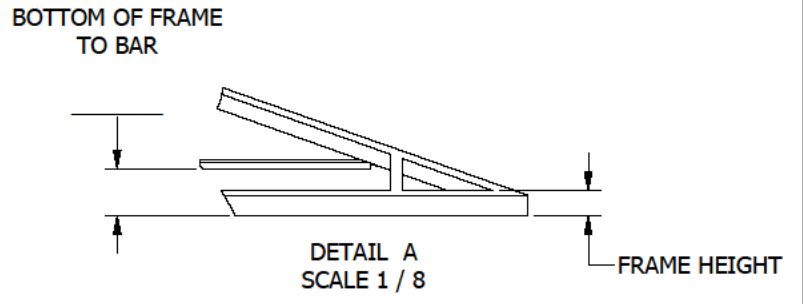
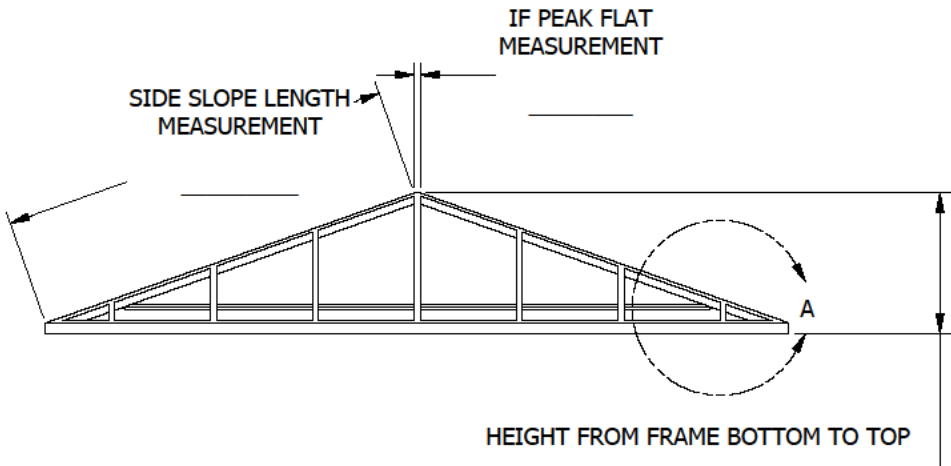


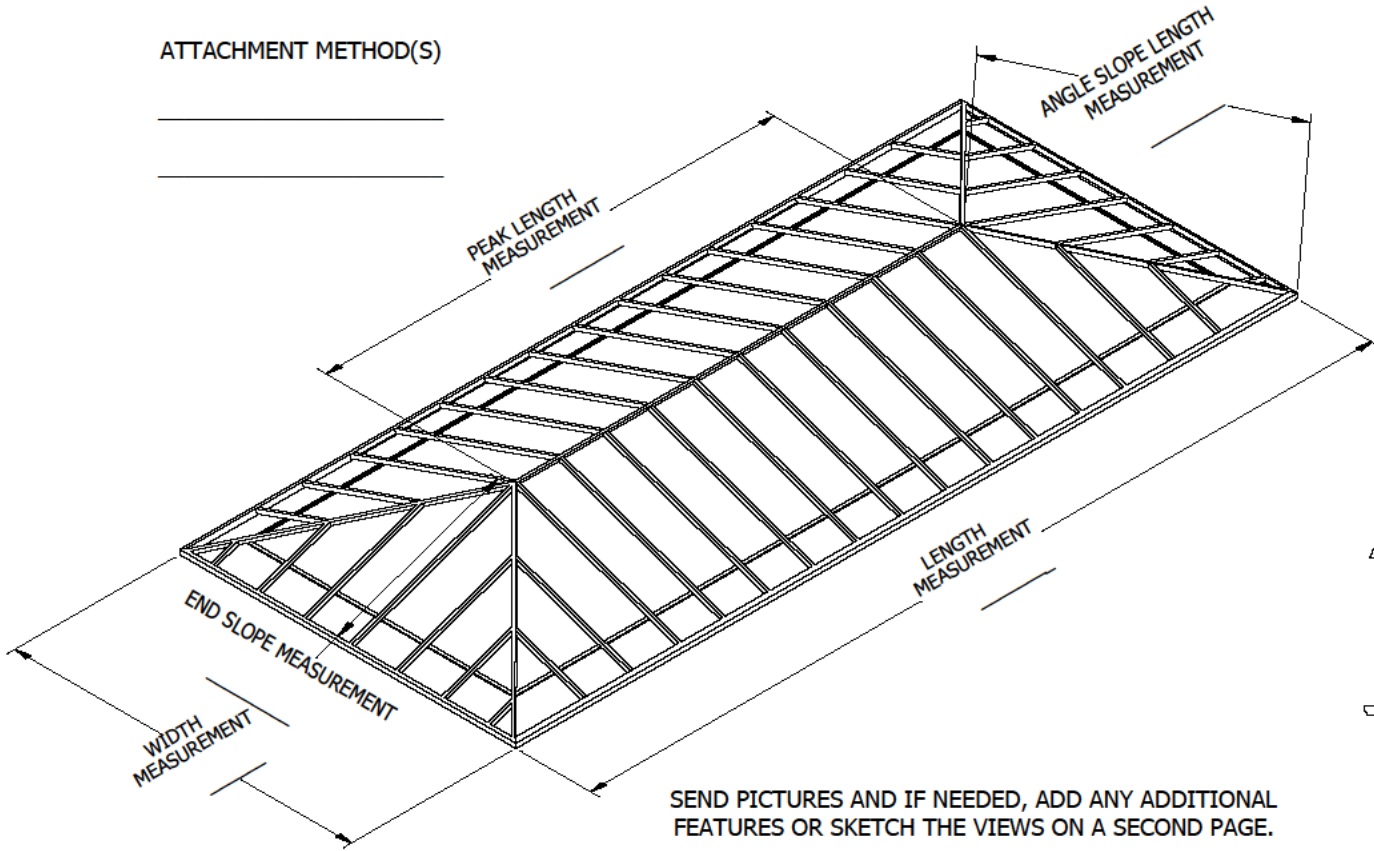
REVISIONS				
REV	ECN	DATE	DESCRIPTION	ISSUER
A	EC-00469	10/4/2016	RELEASE	RML



ATTACHMENT METHOD(S)

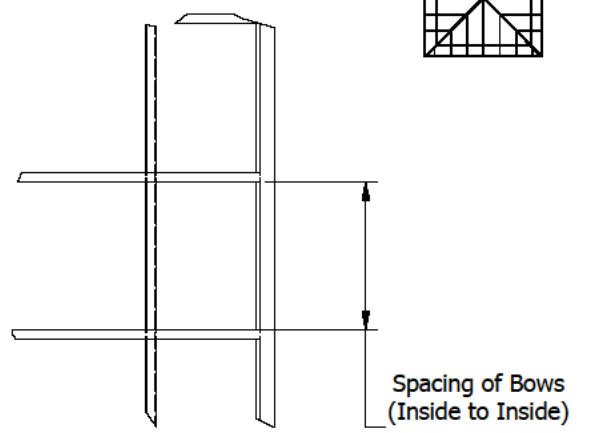
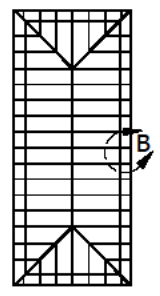
\_\_\_\_\_

\_\_\_\_\_



TOTAL NUMBER OF BOWS

\_\_\_\_\_



DETAIL B

SEND PICTURES AND IF NEEDED, ADD ANY ADDITIONAL FEATURES OR SKETCH THE VIEWS ON A SECOND PAGE.

TOLERANCES - UNLESS NOTED	
DECIMAL	±
FRACTION	±
ANGLE	±

TITLE: <b>HIP FRAME DETAIL SHEET</b>			SIZE <b>C</b>
DRFT: <b>RML</b>	DATE <b>1/30/2015</b>	SCALE	SHEET <b>1</b> 1
ENGR: <b>CWG</b>	DATE <b>10/10/2016</b>		
PART NO: <b>F-131</b>			