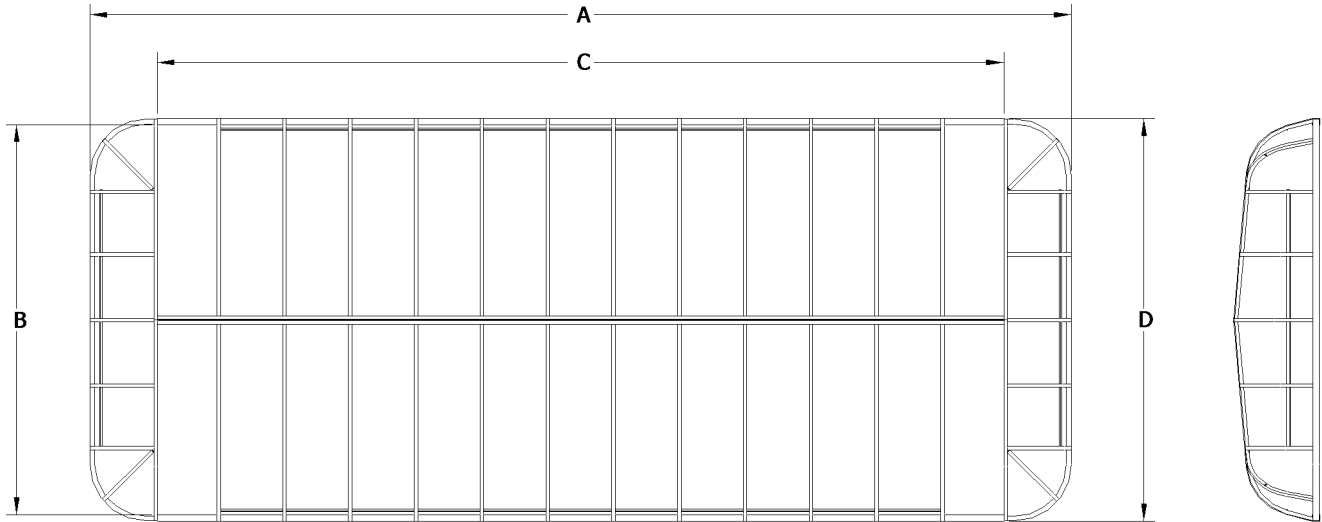


Attn: _____

**Shoremaster® Frame
Specification Sheet**



***ALL MEASUREMENTS (±1")**

| PART NO. | SIZE | OVERALL LENGTH "A" | INSIDE WIDTH "B" | SIDE RAIL LENGTH "C" | OUTSIDE WIDTH "D" |
|-----------|------------|--------------------|------------------|----------------------|-------------------|
| SM1000055 | 10' X 55" | 10' 4" | 55 1/2" | 7' 8 7/8" | 58 3/8" |
| SM1000110 | 10' X 110" | 10' 4" | 120 1/2" | 6' 10 5/8" | 115" |
| SM1300064 | 13' X 64" | 13' 1-1/2" | 65" | 9' 10" | 68 1/2" |
| SM1900084 | 19' X 84" | 19' | 84" | 15' 10" | 87 1/2" |
| SM1900096 | 19' X 96" | 19' | 96" | 15' 10" | 99 1/2" |
| SM2100096 | 21' X 96" | 21' | 96" | 17' 10" | 99 1/2" |
| SM2300100 | 23' X 100" | 23' | 100" | 19' 10" | 103 1/2" |
| SM1900108 | 19' X 108" | 19' 1-1/2" | 108 1/2" | 15' 10" | 112" |
| SM2100108 | 21' X 108" | 21' 1-1/2" | 108 1/2" | 17' 10" | 112" |
| SM2300108 | 23' X 108" | 23' 1-1/2" | 108 1/2" | 19' 10" | 112" |
| SM2500108 | 25' X 108" | 25' 1-1/2" | 108 1/2" | 21' 10" | 112" |
| SM2700108 | 27' X 108" | 27' 2-1/2" | 108 1/2" | 23' 10" | 112" |
| SM2900108 | 29' X 108" | 29' 1-1/2" | 108 1/2" | 25' 10" | 112" |
| SM2100120 | 21' X 120" | 21' 1-1/2" | 120 1/2" | 17' 10" | 124" |
| SM2300120 | 23' X 120" | 23' 1-1/2" | 120 1/2" | 19' 10" | 124" |
| SM2500120 | 25' X 120" | 25' 1-1/2" | 120 1/2" | 21' 10" | 124" |
| SM2700120 | 27' X 120" | 27' 1-1/2" | 120 1/2" | 23' 10" | 124" |
| SM2900120 | 29' X 120" | 29' 1-1/2" | 120 1/2" | 25' 10" | 124" |
| SM3100120 | 31' X 120" | 31' 1-1/2" | 120 1/2" | 27' 10" | 124" |
| SM3300120 | 33' X 120" | 33' 1-1/2" | 120 1/2" | 29' 10" | 124" |

ATTACHMENT

Hooked bungee connects to aluminum bar welded across bows.

STANDARD VALANCE: 12" VALANCE

OUTSIDE DIMENSIONS

- A _____ OVERALL LENGTH OF FRAME
- B _____ INSIDE WIDTH OF FRAME
- C _____ LENGTH OF SIDE RAILS (W/O ENDS)
- D _____ OUTSIDE WIDTH OF FRAME

CONTACT INFORMATION

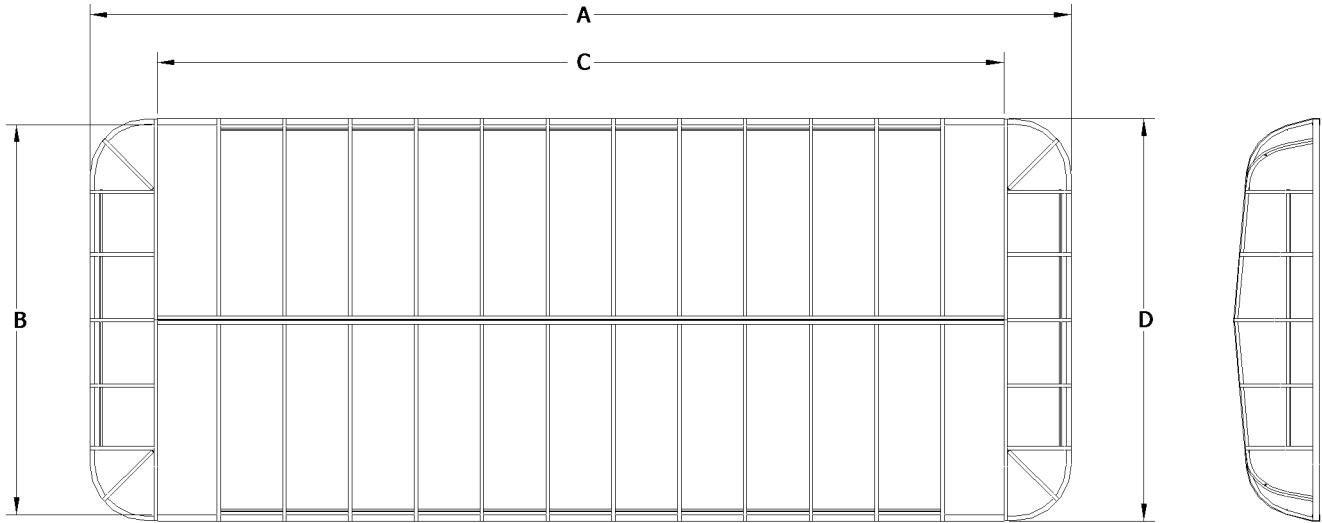
Name _____
 Address _____
 City _____ State _____ Zip _____
 Phone _____ Fax _____
 Boat Lift Brand _____

NOTES

****If dimensions don't match above,
fill out detail sheet on page 3****

Attn: _____

**Shoremaster® Frame
Specification Sheet**



***ALL MEASUREMENTS (±1")**

| PART NO. | SIZE | OVERALL LENGTH "A" | INSIDE WIDTH "B" | SIDE RAIL LENGTH "C" | OUTSIDE WIDTH "D" |
|-----------|------------|--------------------|------------------|----------------------|-------------------|
| SM2700132 | 27' X 132" | 27' | 132" | 23' 10" | 135 1/2" |
| SM2900132 | 29' X 132" | 29' | 132" | 25' 10" | 135 1/2" |
| SM3100132 | 31' X 132" | 31' | 132" | 27' 10" | 135 1/2" |
| SM3300132 | 33' X 132" | 33' | 132" | 29' 10" | 135 1/2" |
| SM3500132 | 35' X 132" | 35' | 132" | 31' 10" | 135 1/2" |

ATTACHMENT

Hooked bungee connects to aluminum bar welded across bows.

STANDARD VALANCE: 12" VALANCE

****If dimensions don't match above,
fill out detail sheet on page 3****

OUTSIDE DIMENSIONS

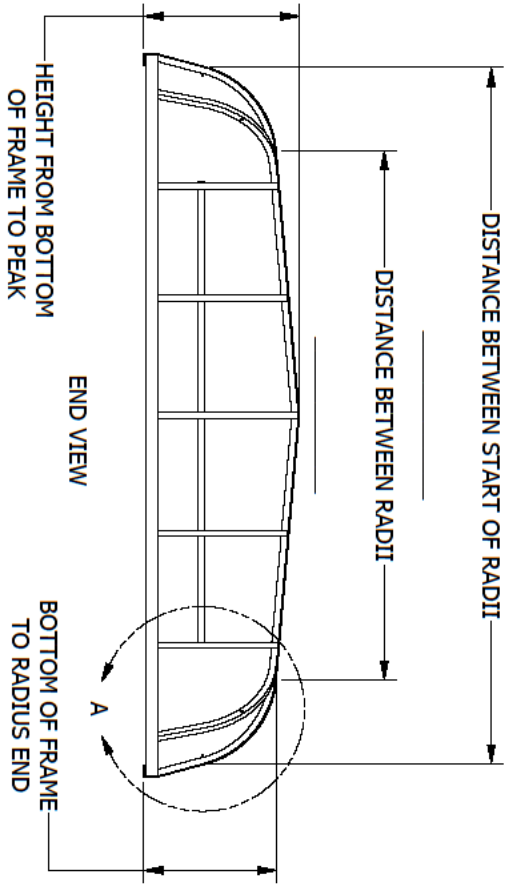
- A _____ OVERALL LENGTH OF FRAME
- B _____ INSIDE WIDTH OF FRAME
- C _____ LENGTH OF SIDE RAILS (W/O ENDS)
- D _____ OUTSIDE WIDTH OF FRAME

CONTACT INFORMATION

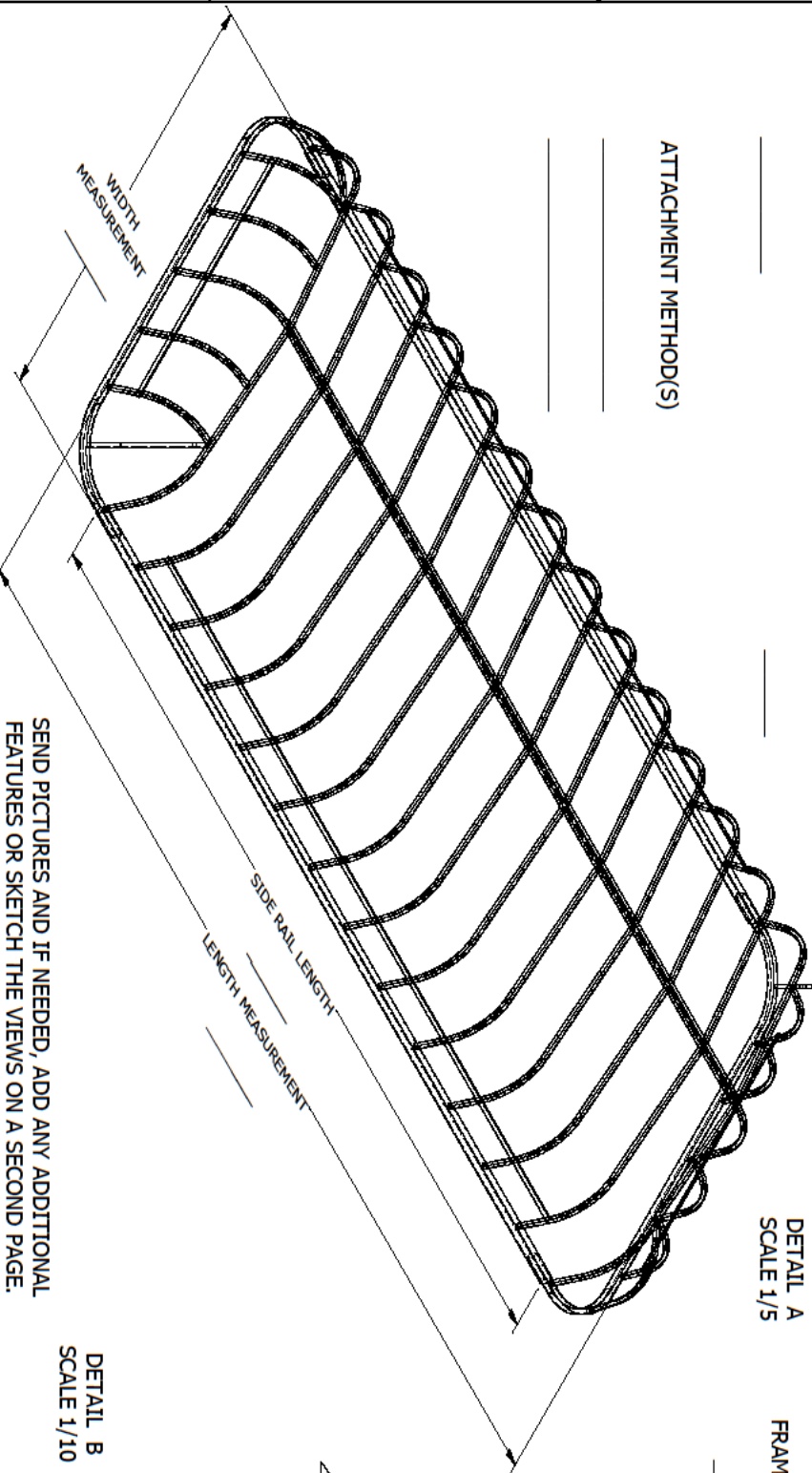
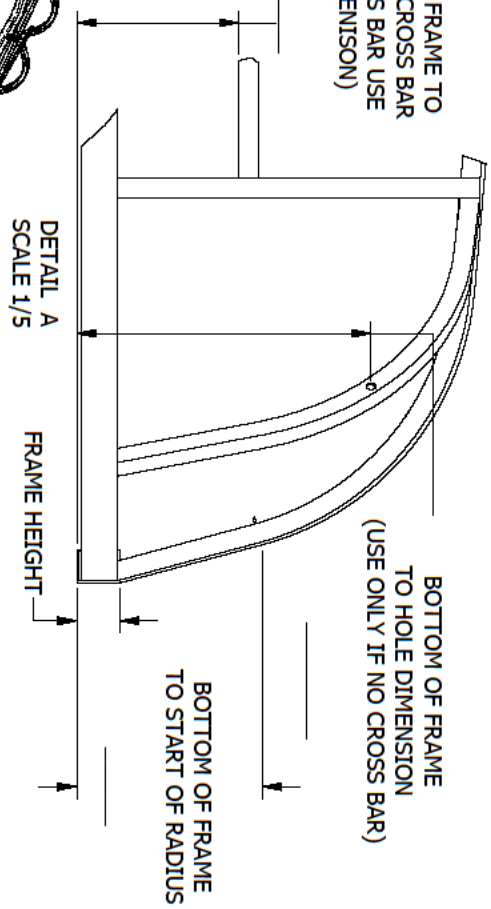
Name _____
 Address _____
 City _____ State _____ Zip _____
 Phone _____ Fax _____
 Boat Lift Brand _____

NOTES

| REVISIONS | | | | ISSUER |
|-----------|----------|-----------|--------------------|--------|
| REV | ECN | DATE | DESCRIPTION | RML |
| A | EC-00469 | 10/4/2016 | RELEASE | RML |
| B | EC-00723 | 6/25/2018 | ADD HOLE DIMENSION | RML |

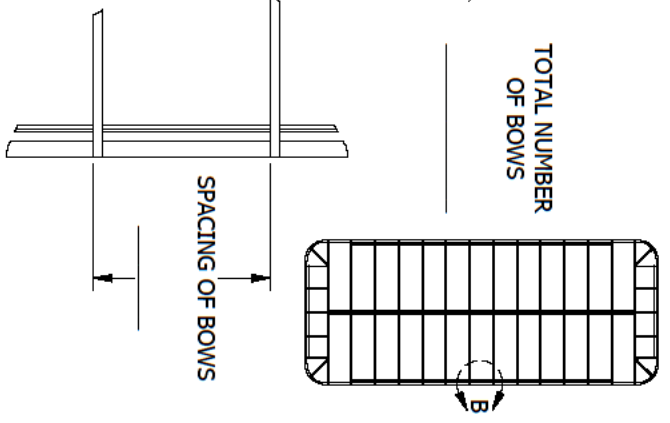


BOTTOM OF FRAME TO BOTTOM OF CROSS BAR (IF NO CROSS BAR USE HOLE DIMENSION)



SEND PICTURES AND IF NEEDED, ADD ANY ADDITIONAL FEATURES OR SKETCH THE VIEWS ON A SECOND PAGE.

DETAIL B
SCALE 1/10



TOLERANCES - UNLESS NOTED

DECIMAL ±
FRACTION ±
ANGLE ±

TITLE: **ROUND CORNER FRAME DETAIL SHEET**

DRAWN: RML
DATE: 4/27/2014
SCALE: 1/10

DATE: 10/10/2016

SHEET: 1/1

PART NO: F-134

SIZE: C