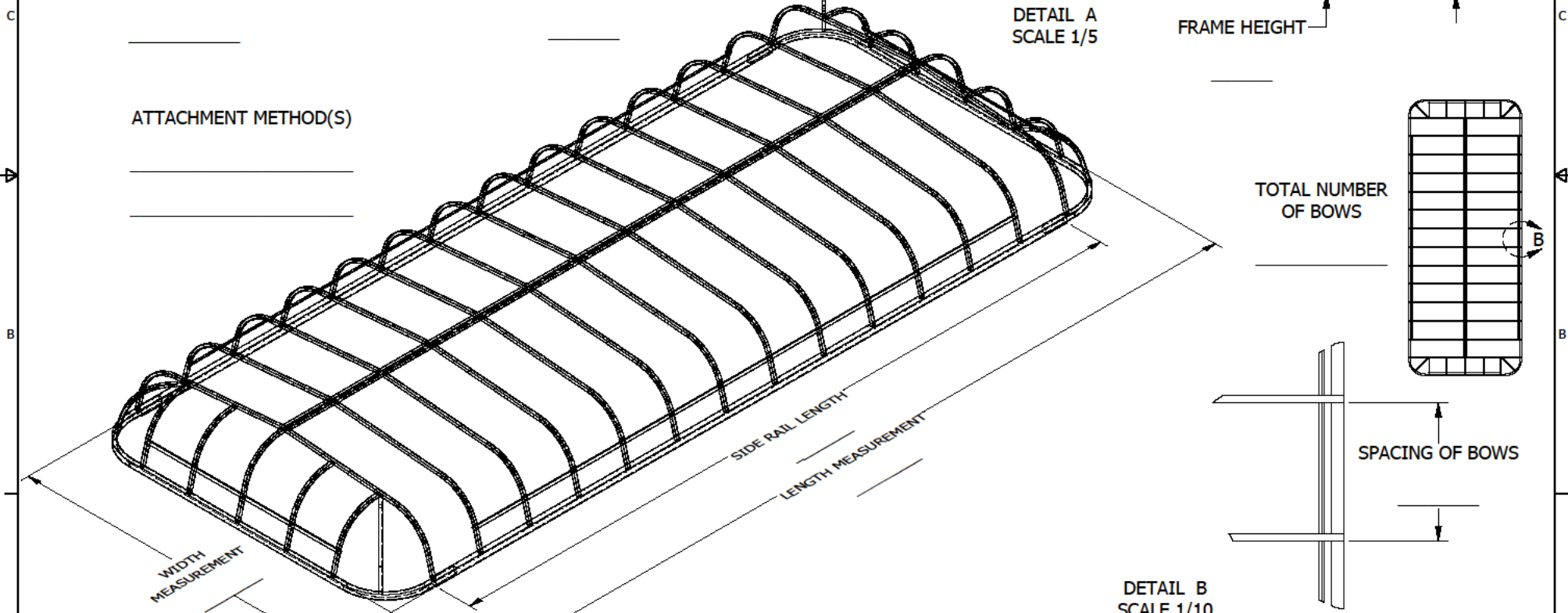
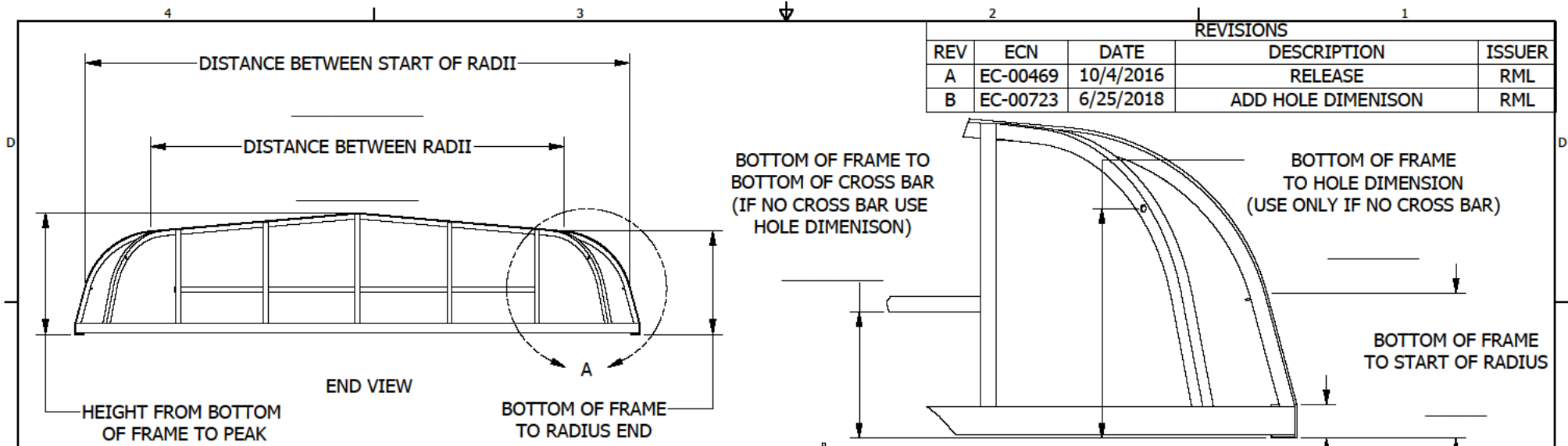


REVISIONS				
REV	ECN	DATE	DESCRIPTION	ISSUER
A	EC-00469	10/4/2016	RELEASE	RML
B	EC-00723	6/25/2018	ADD HOLE DIMENSION	RML



SEND PICTURES AND IF NEEDED, ADD ANY ADDITIONAL FEATURES OR SKETCH THE VIEWS ON A SECOND PAGE.

TOLERANCES - UNLESS NOTED	
DECIMAL	±
FRACTION	±
ANGLE	±

TITLE: <b>ROUND CORNER FRAME DETAIL SHEET</b>				SIZE <b>C</b>
DRFT: <b>RML</b>	DATE <b>4/2/2014</b>	SCALE	SHEET <b>1</b>	PART NO: <b>F-134</b>
ENGR: <b>CWG</b>	DATE <b>10/10/2016</b>		<b>1</b>	