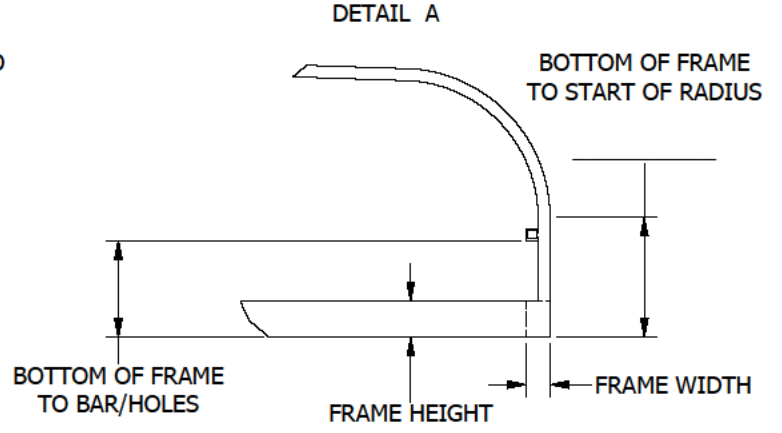
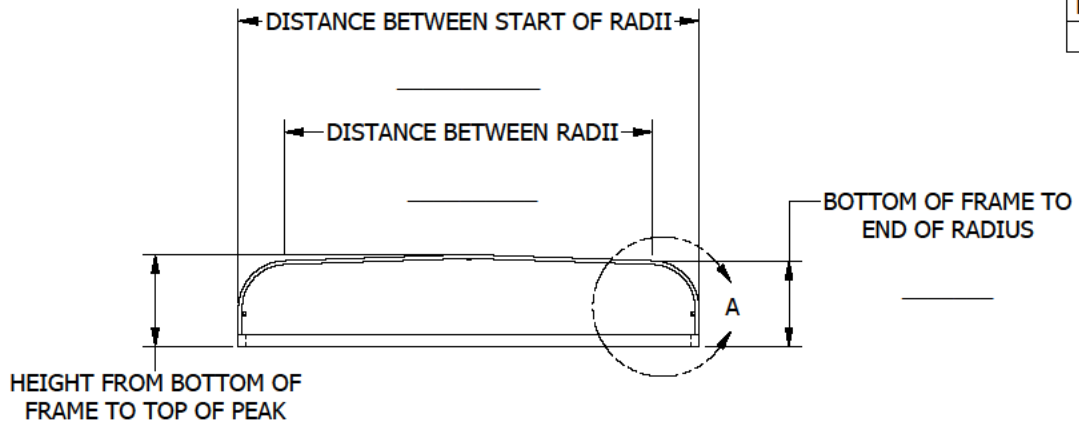
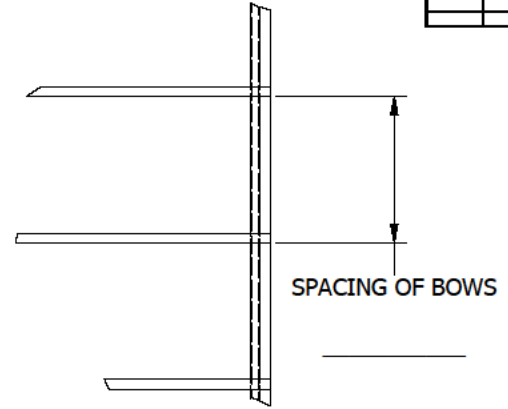
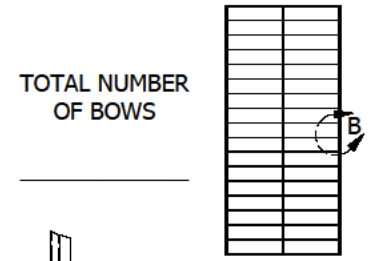
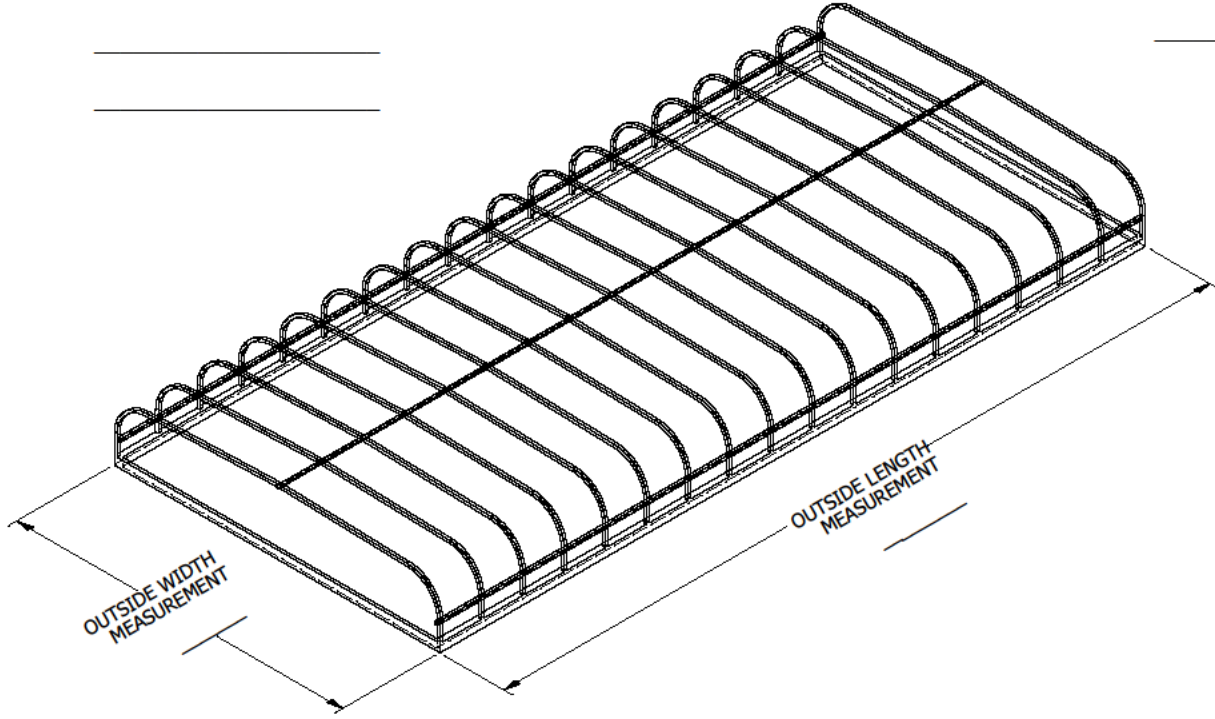


REVISIONS				
REV	ECN	DATE	DESCRIPTION	ISSUER
A	EC-00469	10/4/2016	RELEASE	RML



ATTACHMENT METHOD(S)



SEND PICTURES AND IF NEEDED, ADD ANY ADDITIONAL FEATURES OR SKETCH THE VIEWS ON A SECOND PAGE.

TOLERANCES - UNLESS NOTED	
DECIMAL	±
FRACTION	±
ANGLE	±

TITLE: FLAT FRONT FRAME DETAIL SHEET			SIZE C
DRFT: TJS	DATE 4/10/2014	SCALE	SHEET 1
ENGR: CWG	DATE 10/10/2016		PART NO: F-130