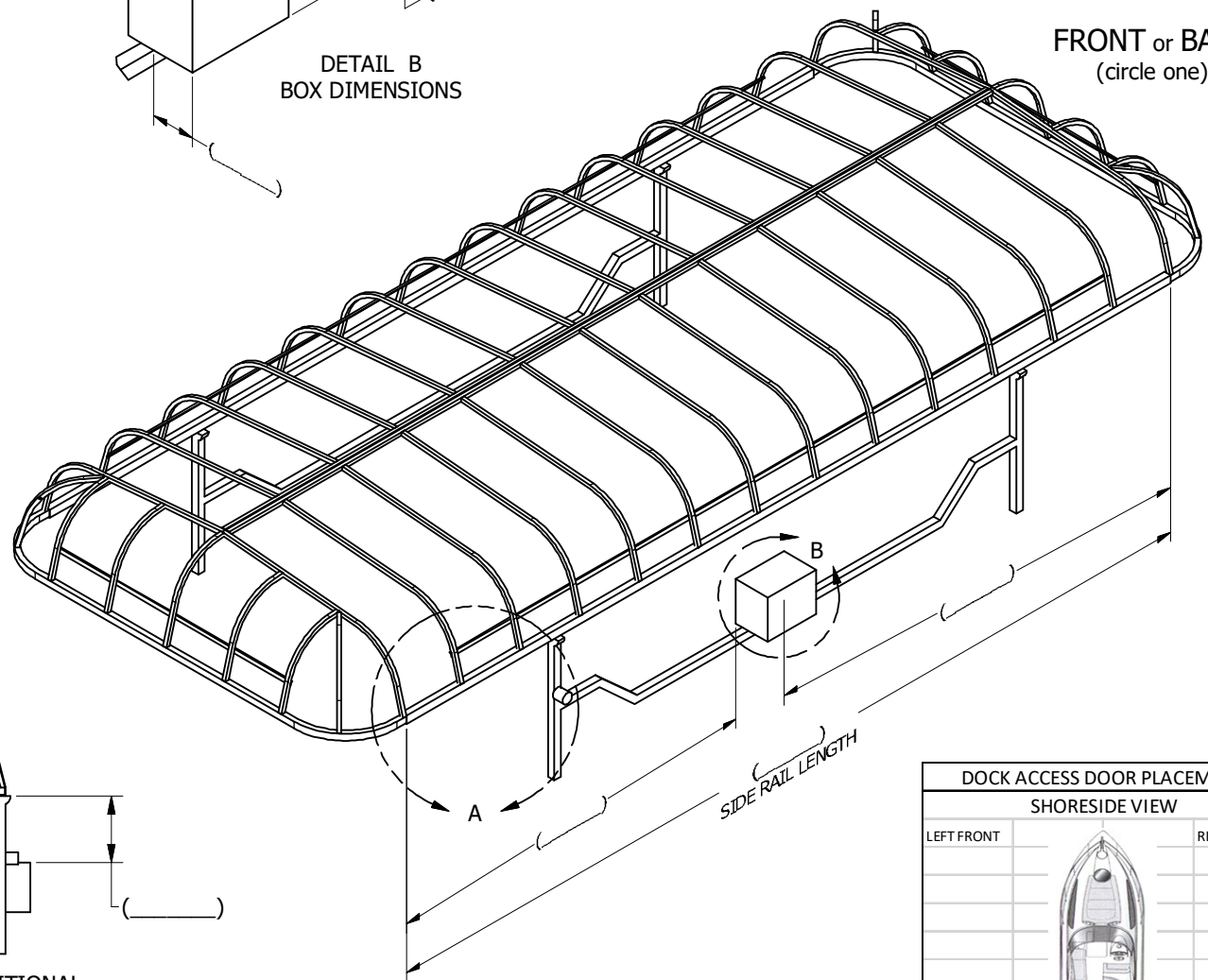
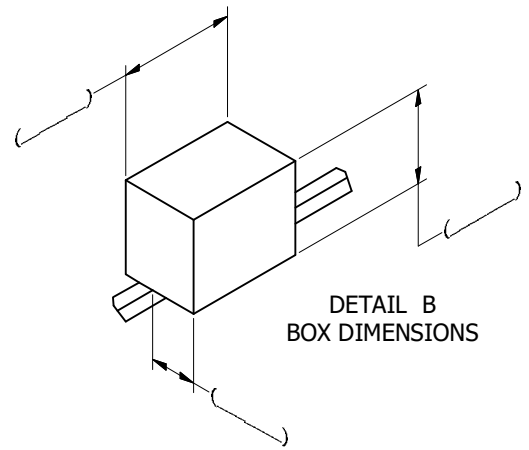
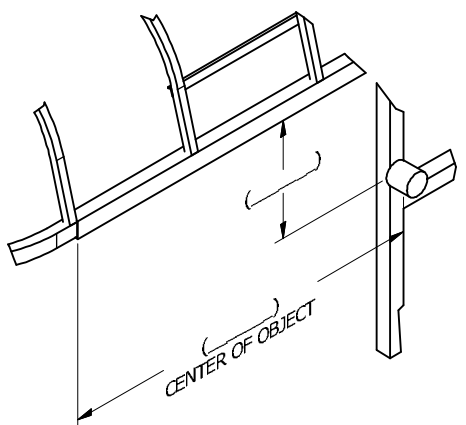


REVISIONS				
REV	ECN	DATE	DESCRIPTION	ISSUER
2	EC-00	5/23/2018		RML

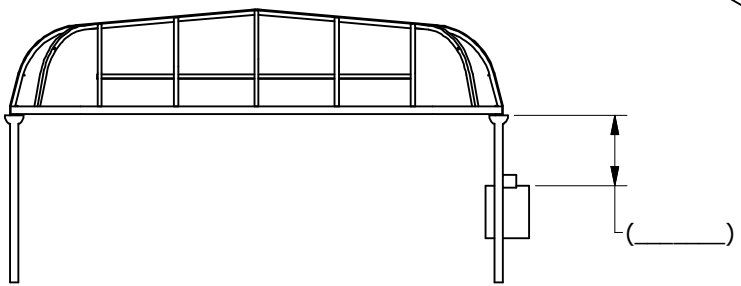


DETAIL A
OTHER PROTRUSION
LOCATION

DETAIL B
BOX DIMENSIONS

FRONT or BACK
(circle one)

BRAND _____
LENGTH _____ FEET
WIDTH _____ INCHES



SEND PICTURES AND IF NEEDED, ADD ANY ADDITIONAL
FEATURES OR SKETCH THE VIEWS ON A SECOND PAGE.
(MAY USE A SECOND OR THIRD FRAME DETAIL SHEET
FOR ADDITIONAL FEATURES)

FILL DIMENSIONS IN: (_____)

DOCK ACCESS DOOR PLACEMENT		
SHORESIDE VIEW		
LEFT FRONT		RIGHT FRONT
LEFT REAR		RIGHT REAR
LAKE VIEW		
MEASUREMENT FROM DESIGNATED CORNER		

TOLERANCES - UNLESS NOTED
DECIMAL ±
FRACTION ±
ANGLE ±

TITLE: ROUNDED CORNER CURTAIN FRAME DETAIL				SIZE C
DRFT: robert.lambert	DATE 5/23/2018	SCALE	SHEET 1	PART NO: F-162
ENGR:	DATE		1	