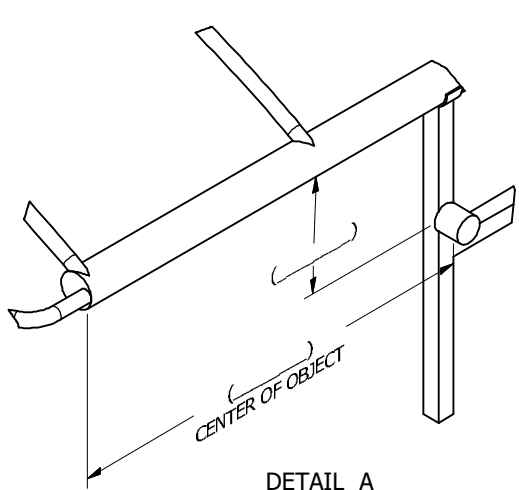
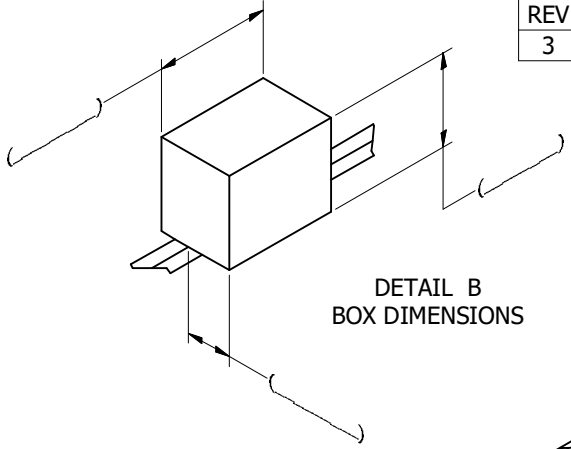


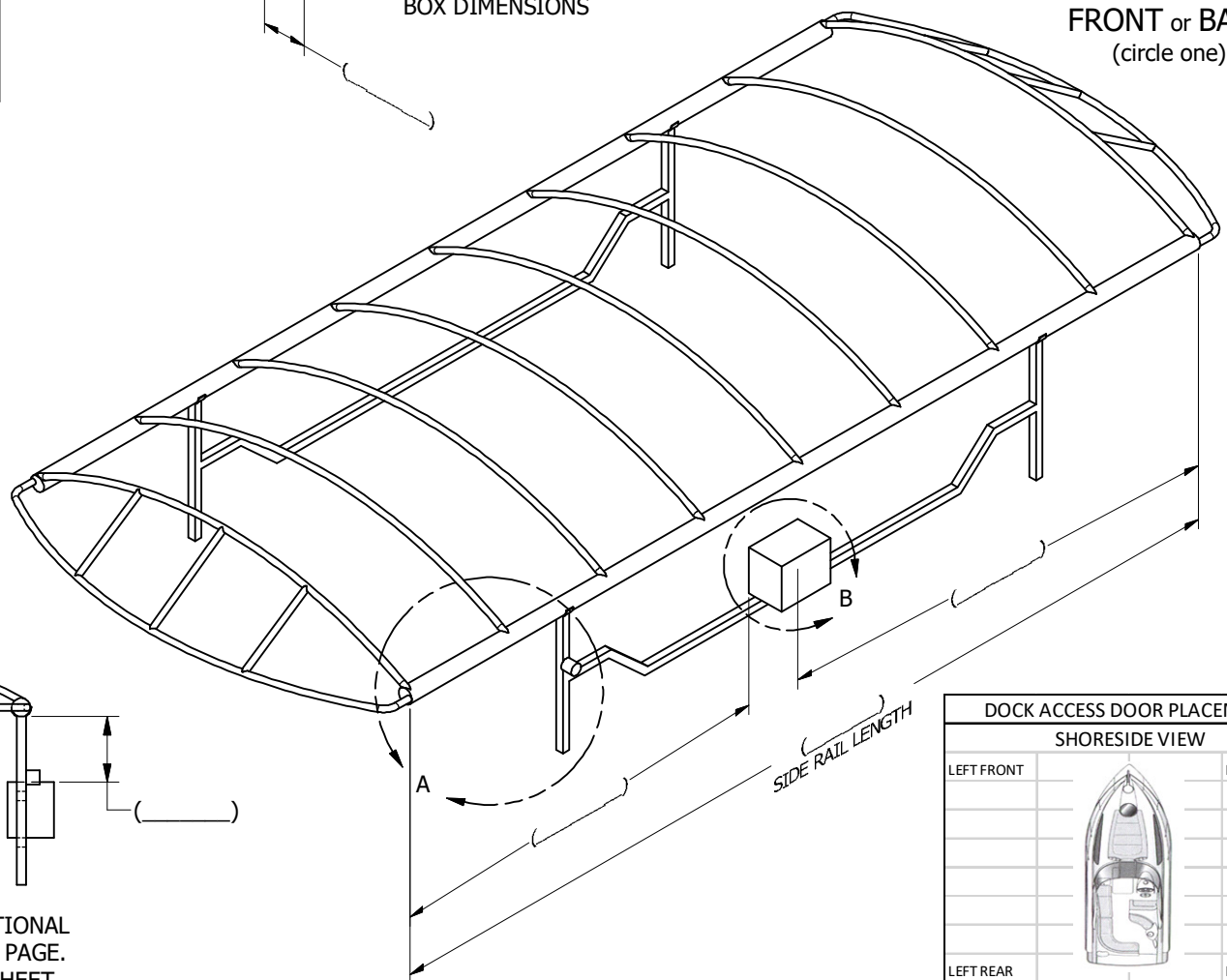
REVISIONS				
REV	ECN	DATE	DESCRIPTION	ISSUER
3	EC-00	5/22/2018		RML



DETAIL A  
OTHER PROTRUSION  
LOCATION

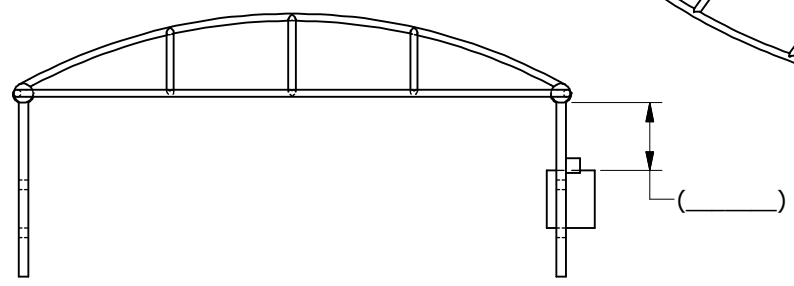


DETAIL B  
BOX DIMENSIONS



FRONT or BACK  
(circle one)

BRAND \_\_\_\_\_  
 LENGTH \_\_\_\_\_ FEET  
 WIDTH \_\_\_\_\_ INCHES



SEND PICTURES AND IF NEEDED, ADD ANY ADDITIONAL  
 FEATURES OR SKETCH THE VIEWS ON A SECOND PAGE.  
 (MAY USE A SECOND OR THIRD FRAME DETAIL SHEET  
 FOR ADDITIONAL FEATURES)

FILL DIMENSIONS IN: ( \_\_\_\_\_ )

DOCK ACCESS DOOR PLACEMENT			
SHORESIDE VIEW			
LEFT FRONT		RIGHT FRONT	
LAKE VIEW			
LEFT REAR		RIGHT REAR	
MEASUREMENT FROM DESIGNATED CORNER			

TOLERANCES - UNLESS NOTED
DECIMAL ±
FRACTION ±
ANGLE ±

TITLE: <b>ROUNDED END CURTAIN FRAME DETAIL</b>				SIZE <b>C</b>
DRFT: RML	DATE 5/22/2018	SCALE	SHEET 1/1	PART NO: <b>F-160</b>
ENGR:	DATE			