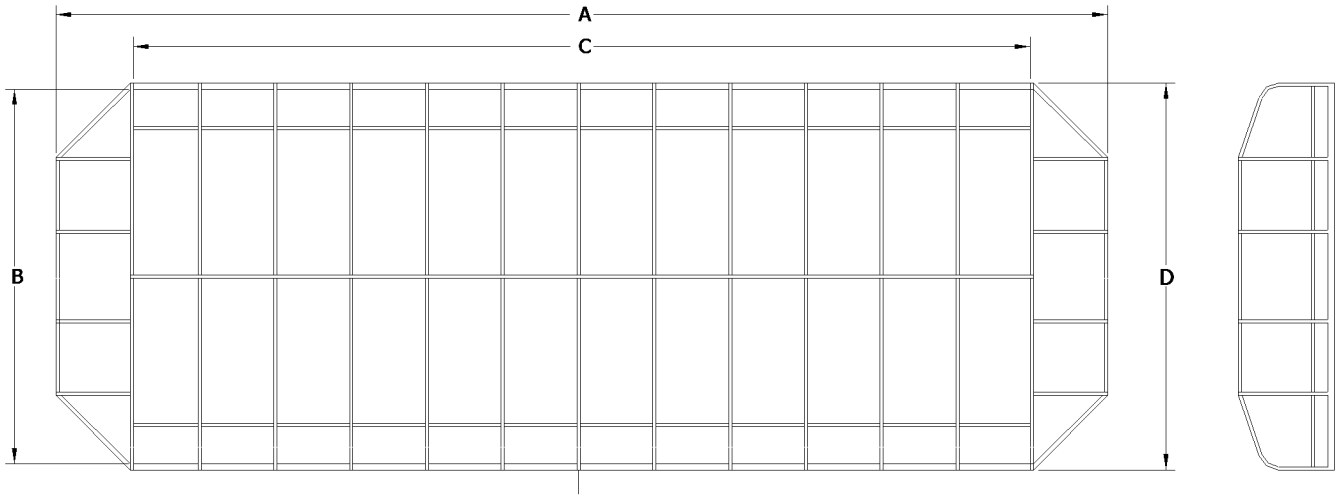


Attn: _____

**Ridgeline® Frame
Specification Sheet**



***ALL MEASUREMENTS (±1")**

PART NO.	SIZE	OVERALL LENGTH "A"	INSIDE WIDTH "B"	SIDE RAIL LENGTH "C"	OUTSIDE WIDTH "D"
RL2000096	20' X 96"	20'	96"	16'	100"
RL2000108	20' X 108"	20'	108"	16'	112"
RL2400108	24' X 108"	24'	108"	20'	112"
RL2200120	22' X 120"	22'	120"	18'	124"
RL2400120	24' X 120"	24'	120"	20'	124"
RL2600120	26' X 120"	26'	120"	22'	124"
RL2800120	28' X 120"	28'	120"	24'	124"
RL3000120	30' X 120"	30'	120"	26'	124"
RL3200120	32' X 120"	32'	120"	28'	124"

****If dimensions don't match above, fill out detail sheet on page 2****

ATTACHMENT

Hooked bungee attaches to d-rings and hook over aluminum bar running across the bows on frame.

STANDARD VALANCE: 12" VALANCE

OUTSIDE DIMENSIONS

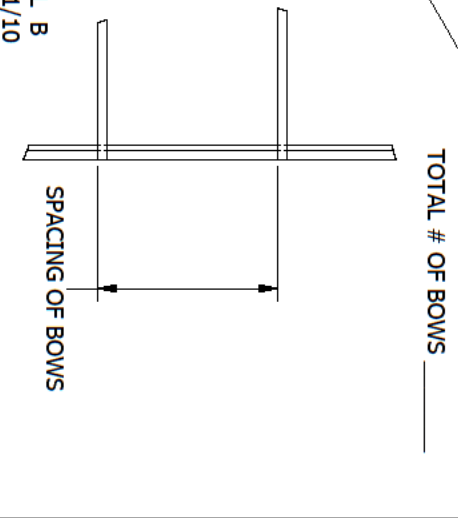
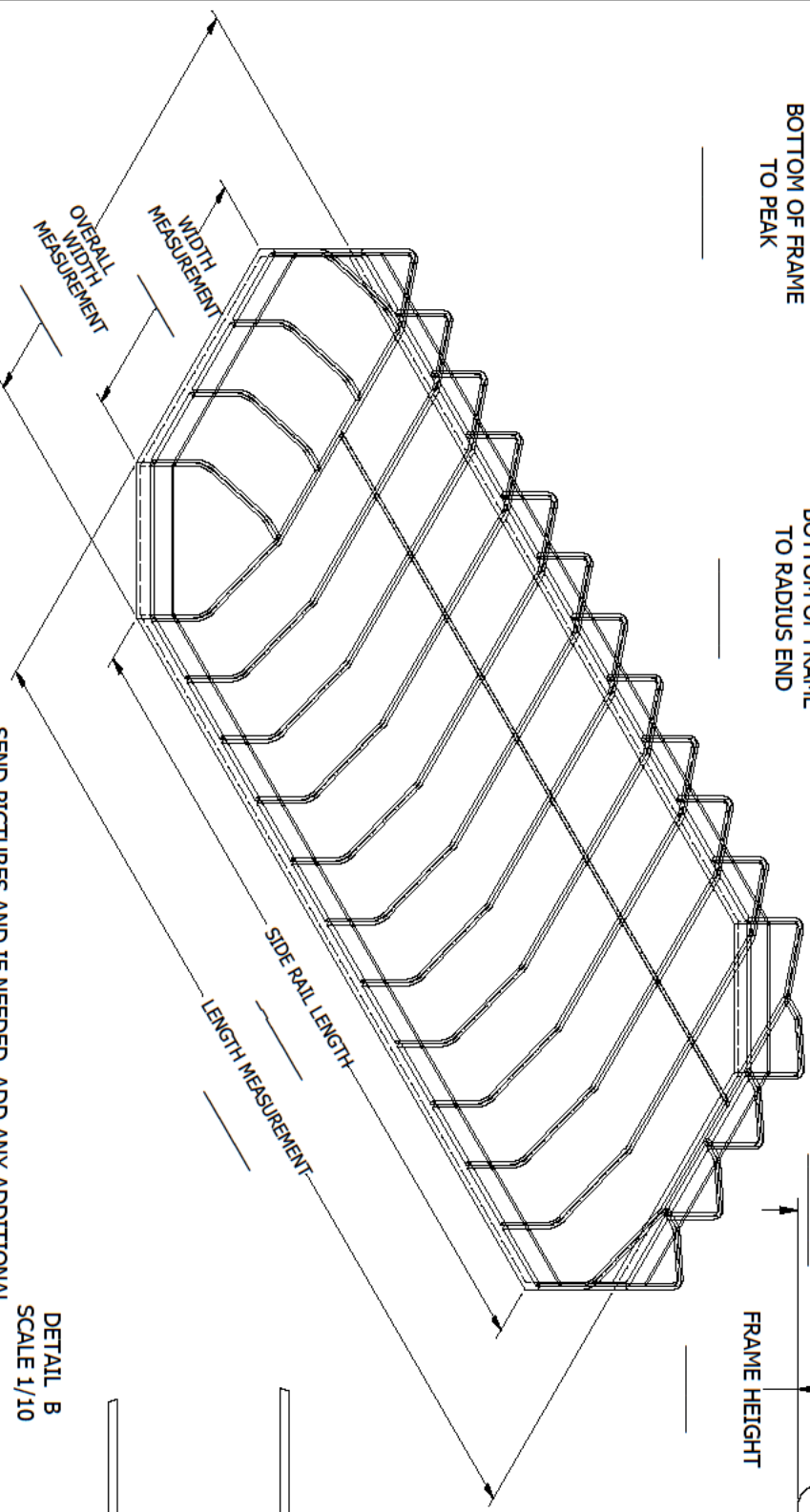
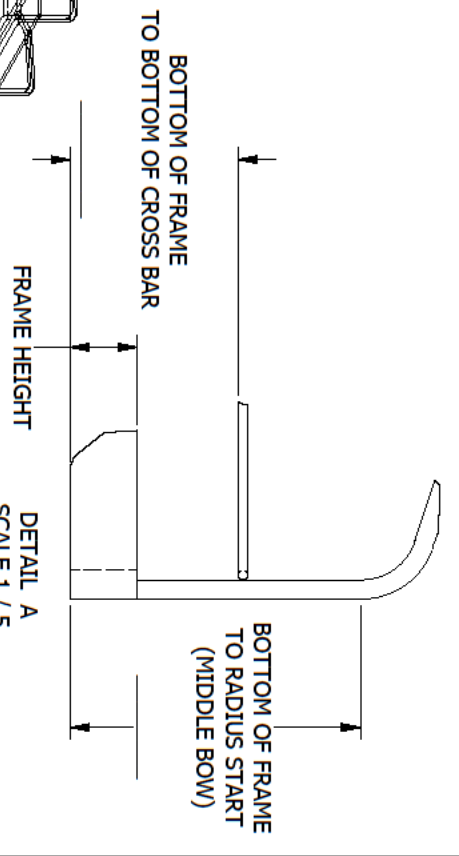
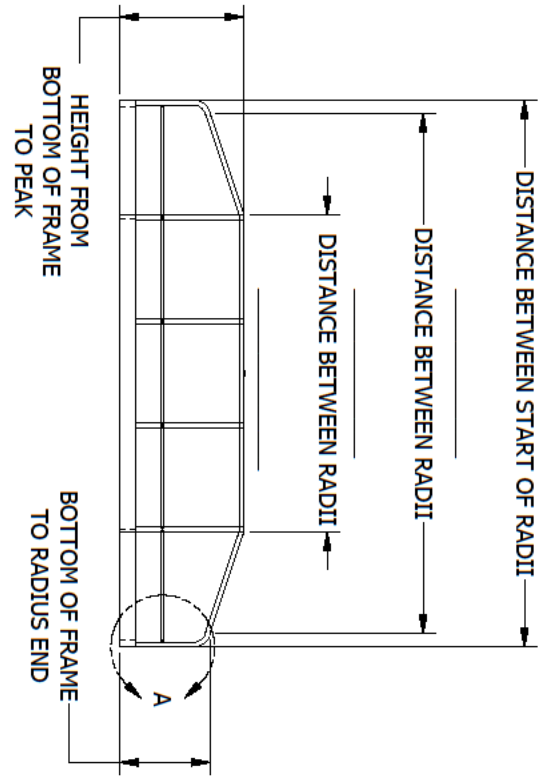
- A _____ OVERALL LENGTH OF FRAME
- B _____ INSIDE WIDTH OF FRAME
- C _____ LENGTH OF SIDE RAILS (W/O ENDS)
- D _____ OUTSIDE WIDTH OF FRAME

CONTACT INFORMATION

Name _____
 Address _____
 City _____ State _____ Zip _____
 Phone _____ Fax _____
 Boat Lift Brand _____

NOTES

REVISIONS				ISSUER
REV	ECN	DATE	DESCRIPTION	RML
A	EC-00469	10/4/2016	RELEASE	RML



SEND PICTURES AND IF NEEDED, ADD ANY ADDITIONAL FEATURES OR SKETCH THE VIEWS ON A SECOND PAGE.

TOLERANCES - UNLESS NOTED

DECIMAL F.	FRACTION F.	ANGLE F.

TITLE: RIDGELINE STYLE DETAIL SHEET

DWGT:	DATE	SCALE	SHEET	PART NO.:
RML	11/3/2014		1	F-140
ENGR:	DATE		1	
OWG	10/10/2016		1	

SIZE: C