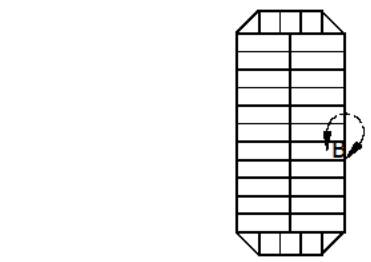
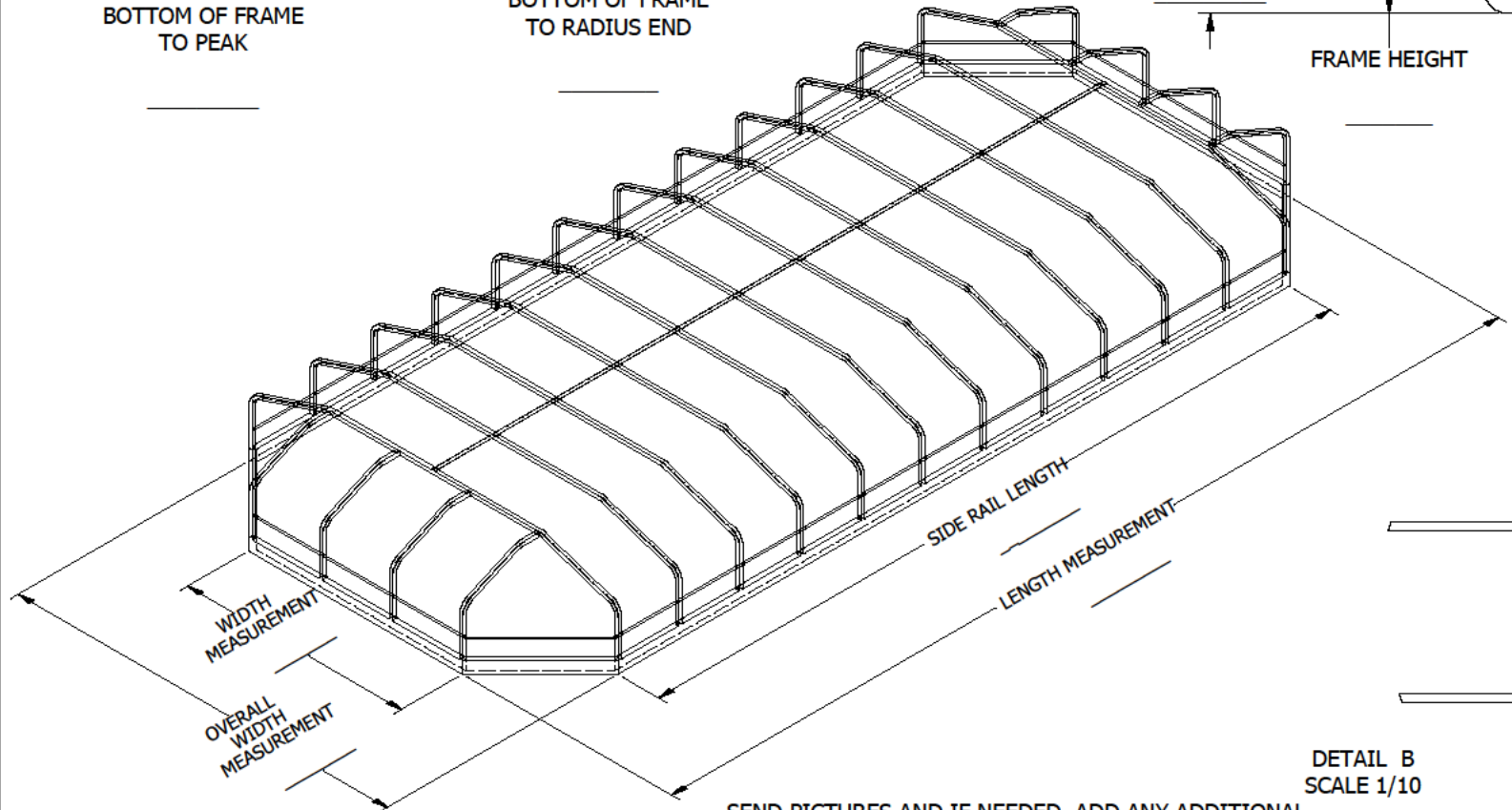
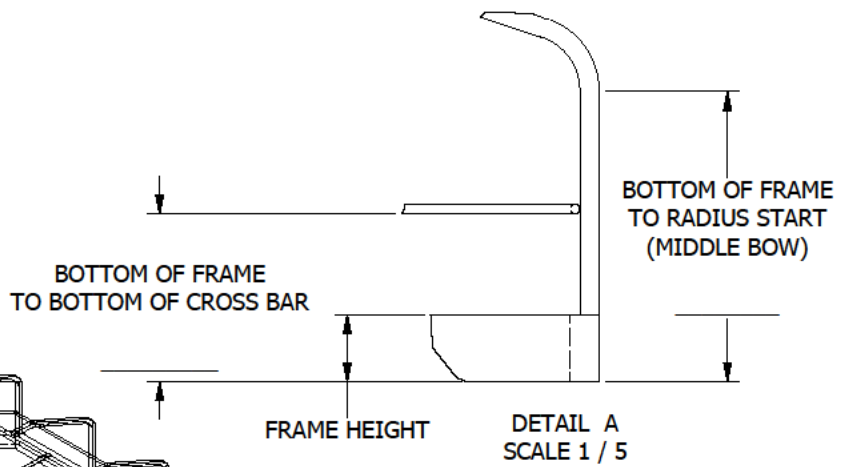
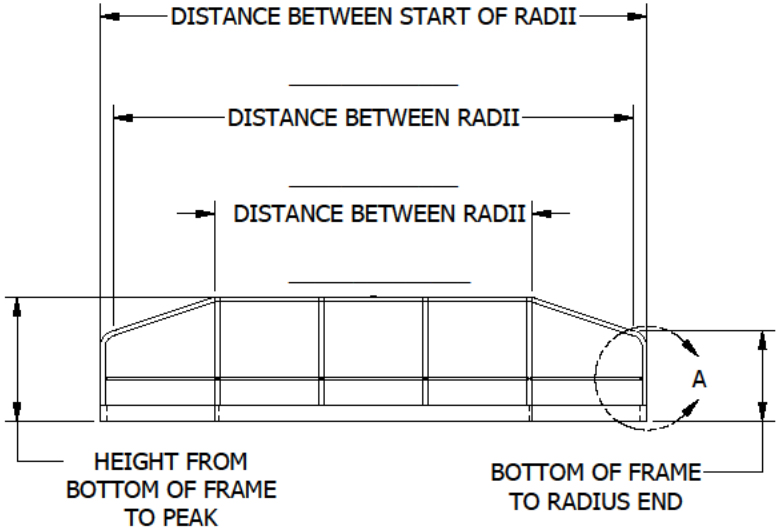
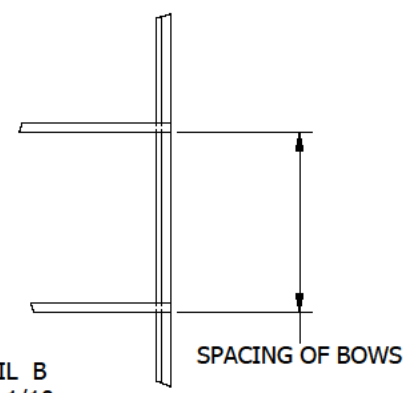


REVISIONS				
REV	ECN	DATE	DESCRIPTION	ISSUER
A	EC-00469	10/4/2016	RELEASE	RML



TOTAL # OF BOWS _____



SEND PICTURES AND IF NEEDED, ADD ANY ADDITIONAL FEATURES OR SKETCH THE VIEWS ON A SECOND PAGE.

TOLERANCES - UNLESS NOTED		
DECIMAL ±		
FRACTION ±		
ANGLE ±		

TITLE: RIDGELINE STYLE DETAIL SHEET				SIZE C
DRFT: RML	DATE 1/3/2014	SCALE	SHEET 1	PART NO: F-140
ENGR: CWG	DATE 10/10/2016		1	