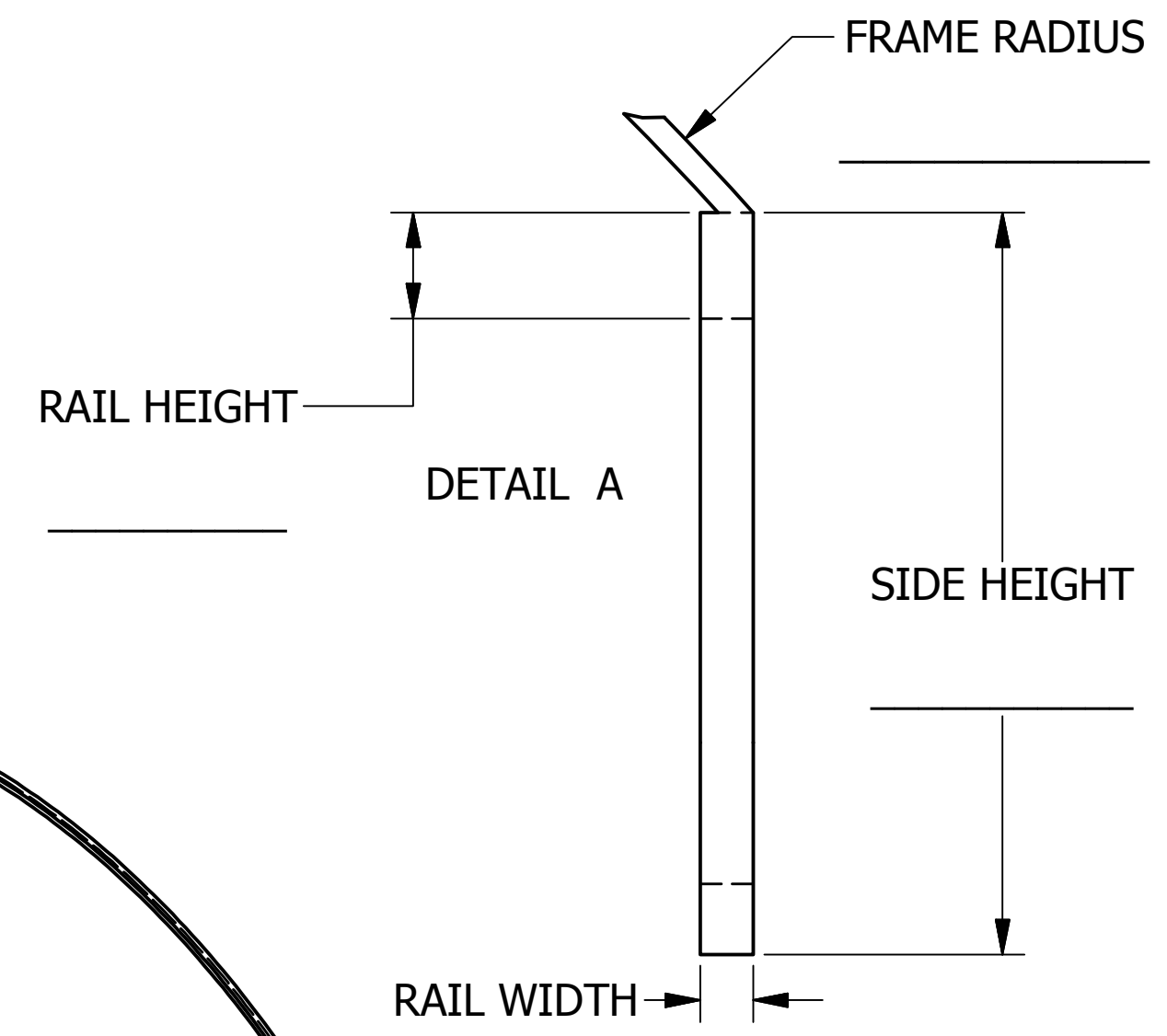
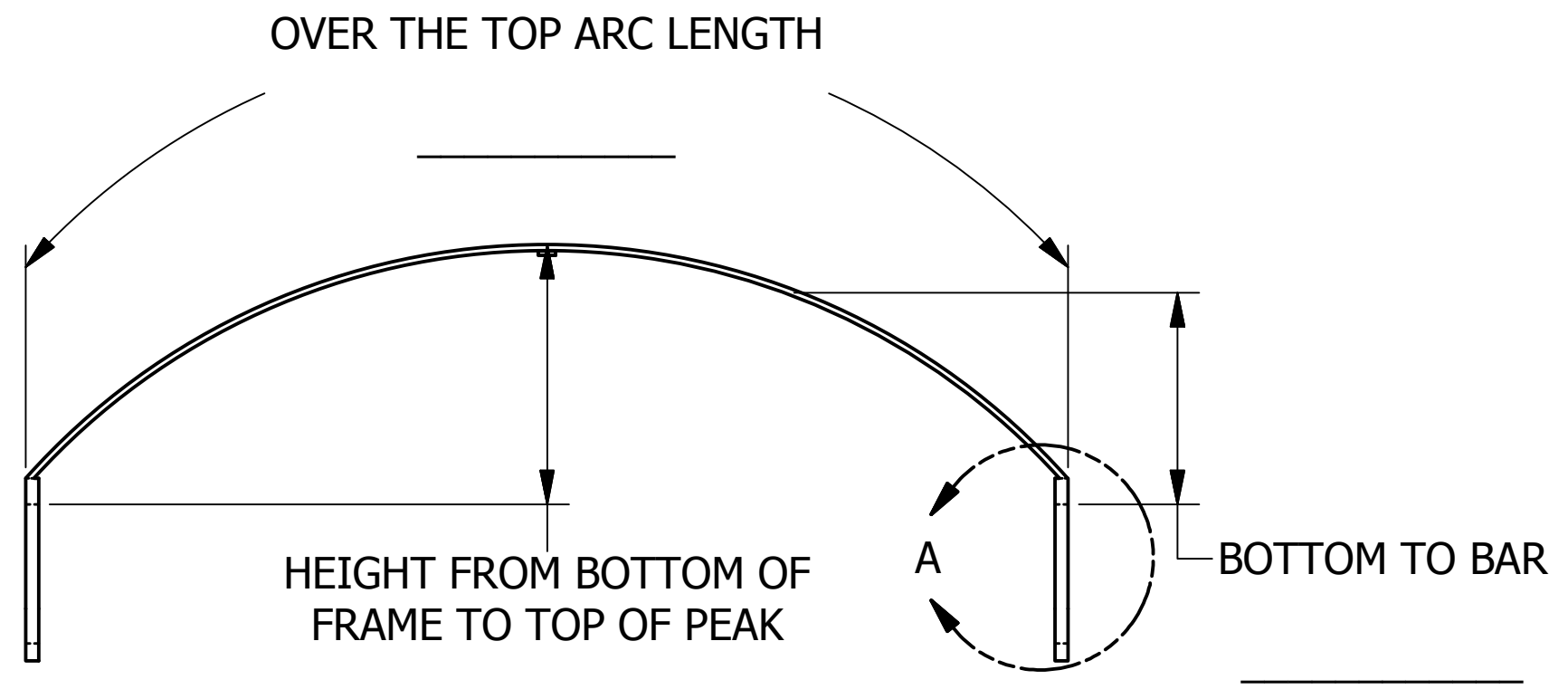
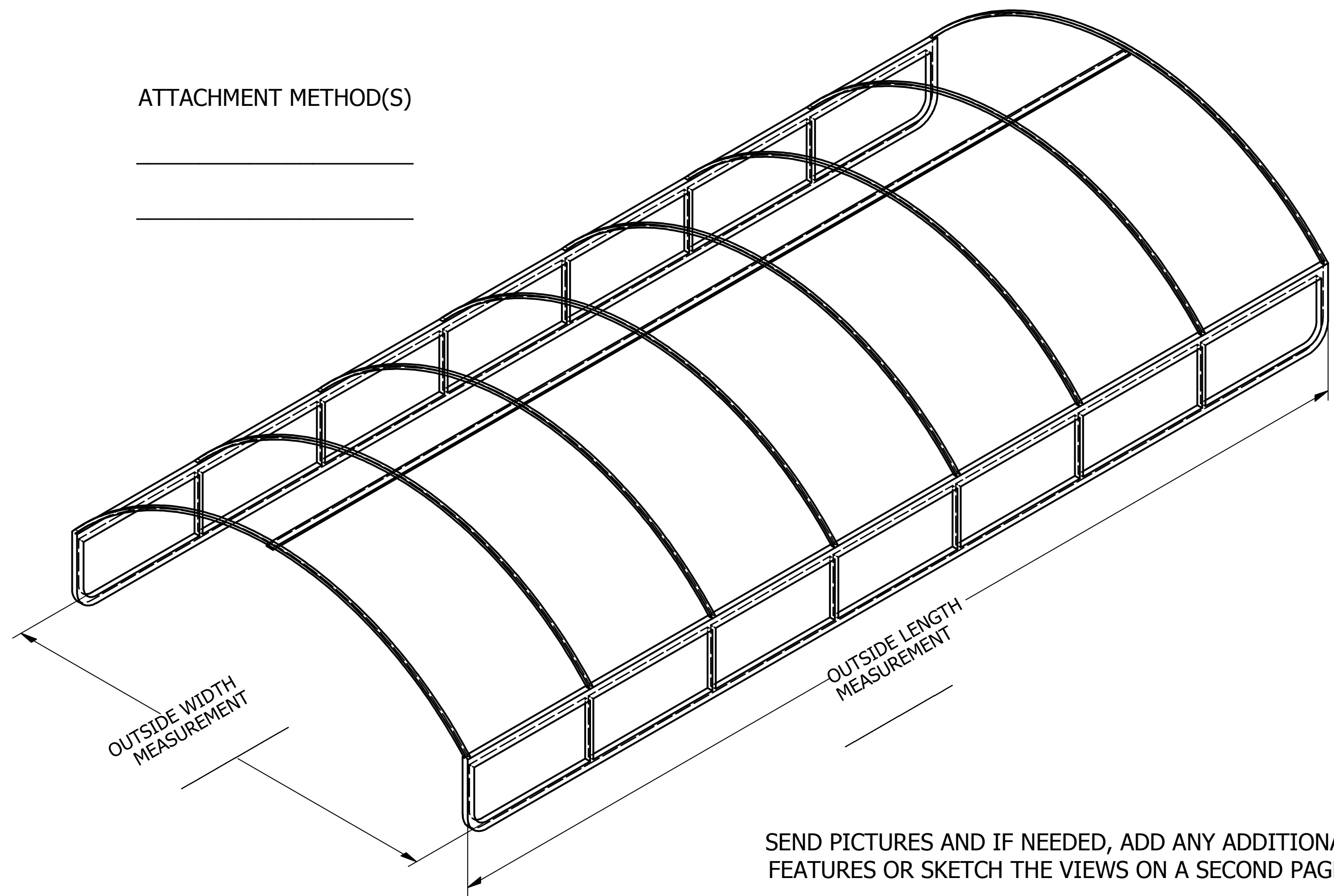
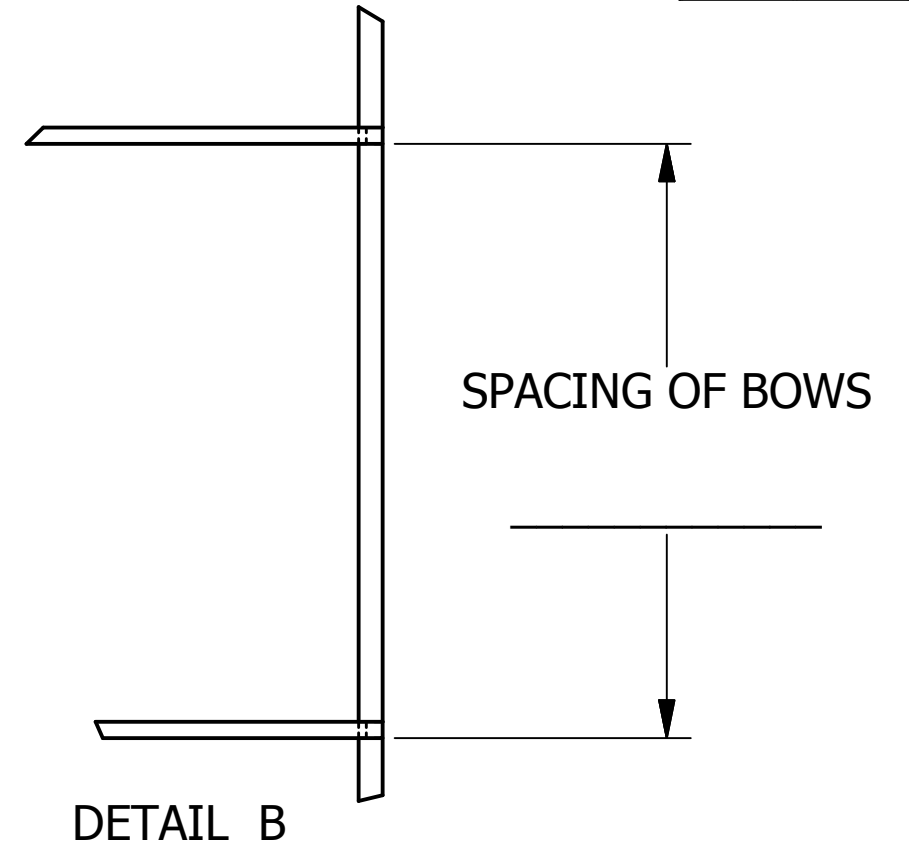
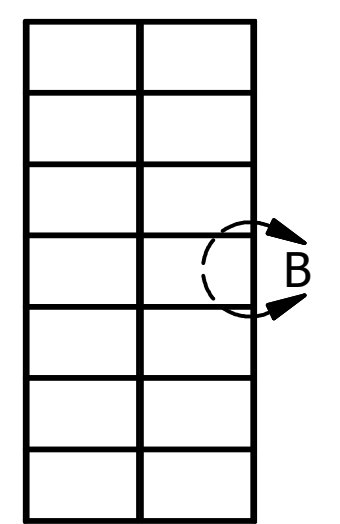


REVISIONS				
REV	ECN	DATE	DESCRIPTION	ISSUER
A	EC-00469	10/4/2016	RELEASE	RML



ATTACHMENT METHOD(S)

TOTAL NUMBER OF BOWS



SEND PICTURES AND IF NEEDED, ADD ANY ADDITIONAL FEATURES OR SKETCH THE VIEWS ON A SECOND PAGE.

TOLERANCES - UNLESS NOTED		
DECIMAL ±		
FRACTION ±		
ANGLE ±		

TITLE: RADIUS TOP W/DROP FRAME DETAIL SHEET				SIZE C
DRFT: RML	DATE 10/4/2016	SCALE	SHEET 1	PART NO: F-143
ENGR: CWG	DATE 10/10/2016		1	