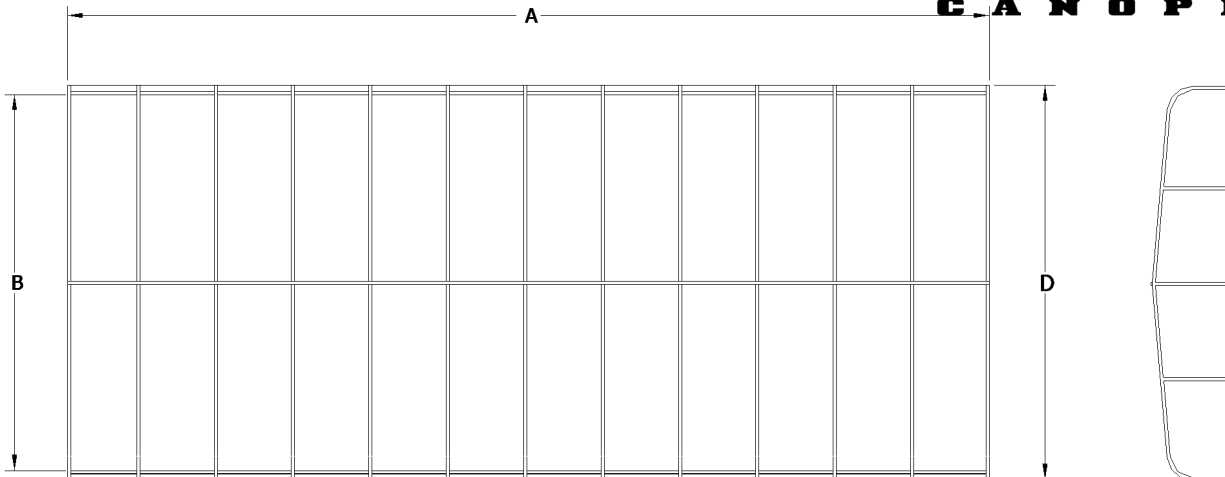


Attn: _____

RGC® Frame Specification Sheet



***ALL MEASUREMENTS (±1")**

PART NO.	SIZE	OVERALL LENGTH "A"	INSIDE WIDTH "B"	OUTSIDE WIDTH "D"
RG1R2100108	21' X 108"	20' 9"	108 3/8"	112 3/8"
RG1R2400108	24' X 108"	23' 9"	108 3/8"	112 3/8"
RG1R2600108	26' X 108"	25' 9"	108 3/8"	112 3/8"
RG1R2800108	28' X 108"	28' 3"	108 3/8"	112 3/8"
RG1R3000108	30' X 108"	30' 3"	108 3/8"	112 3/8"
RG1R3200108	32' X 108"	32' 3"	108 3/8"	112 3/8"
RG1R2400116	24' X 116"	23' 9"	116"	120"
RG1R2600116	26' X 116"	25' 9"	116"	120"
RG1R2800116	28' X 116"	28' 3"	116"	120"
RG1R3000116	30' X 116"	30' 3"	116"	120"
RG1R3200116	32' X 116"	32' 3"	116"	120"
RG1R2400124	24' X 124"	23' 9"	124"	128"
RG1R2600124	26' X 124"	25' 9"	124"	128"
RG1R2800124	28' X 124"	28' 3"	124"	128"
RG1R3000124	30' X 124"	30' 3"	124"	128"

ATTACHMENT

Continuous bungee is strung through d-rings and hooked with s-hooks

STANDARD VALANCE: 12" VALANCE

PEAK HEIGHT WILL BE 28"

OUTSIDE DIMENSIONS

- A _____ OVERALL LENGTH OF FRAME
- B _____ INSIDE WIDTH OF FRAME
- C _____ LENGTH OF SIDE RAILS (W/O ENDS)
- D _____ OUTSIDE WIDTH OF FRAME

CONTACT INFORMATION

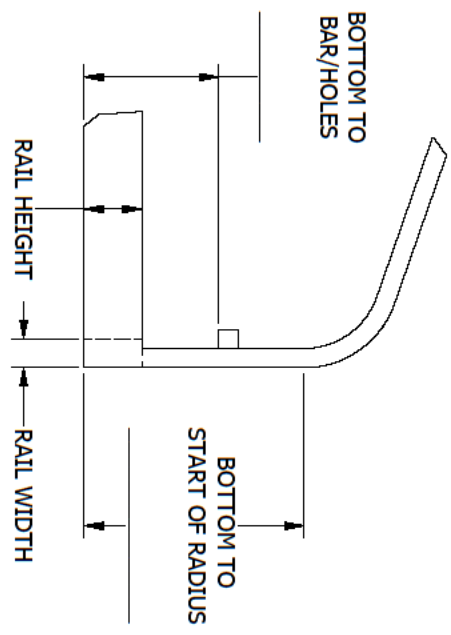
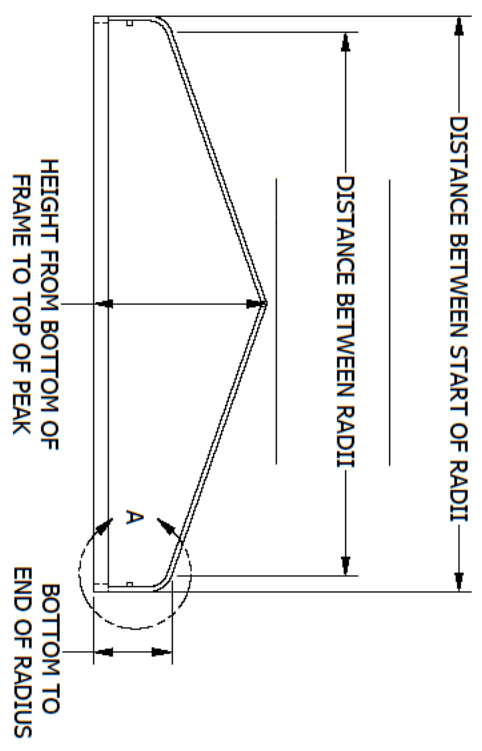
Name _____
 Address _____
 City _____ State _____ Zip _____
 Phone _____ Fax _____
 Boat Lift Brand _____

****If dimensions don't match above, fill out detail sheet on page 2****

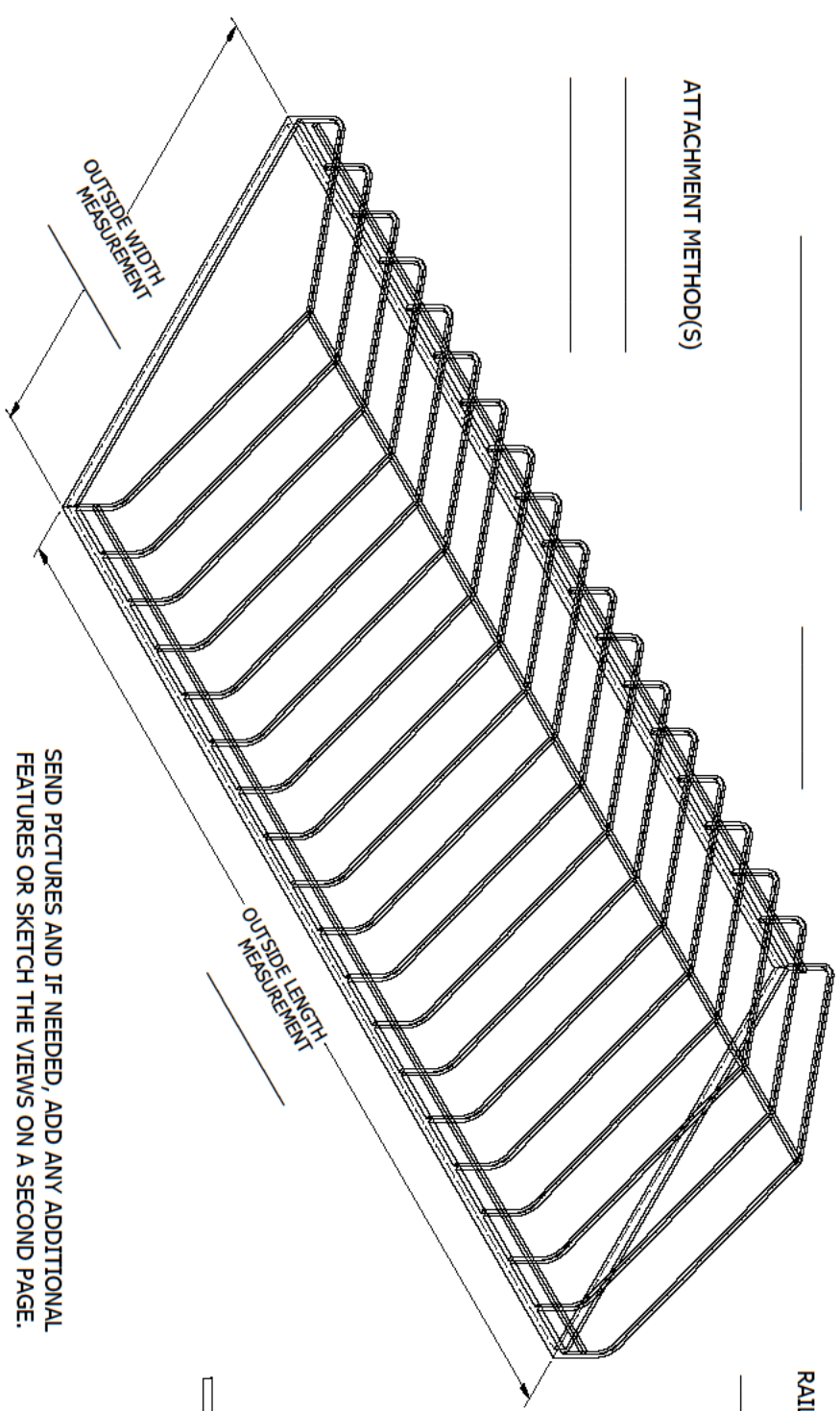
NOTES

REV	ECN	DATE	DESCRIPTION	ISSUER
A	EC-00469	10/4/2016	RELEASE	RML

REVISIONS



ATTACHMENT METHOD(S)



TOTAL NUMBER OF BOWS



SPACING OF BOWS

DETAIL B

SEND PICTURES AND IF NEEDED, ADD ANY ADDITIONAL FEATURES OR SKETCH THE VIEWS ON A SECOND PAGE.

TOLERANCES - UNLESS NOTED		TITLE:		SIZE	
DECIMAL F.	FRACTION F.	PEAKED FLUSHED END FRAME DETAIL SHEET		C	
ANGLE F.		PART NO.:		F-133	
DWGT:	DATE	SCALE	SHEET		
RML	10/4/2016		1		
ENGR:	DATE		1		
OWG	10/10/2016				