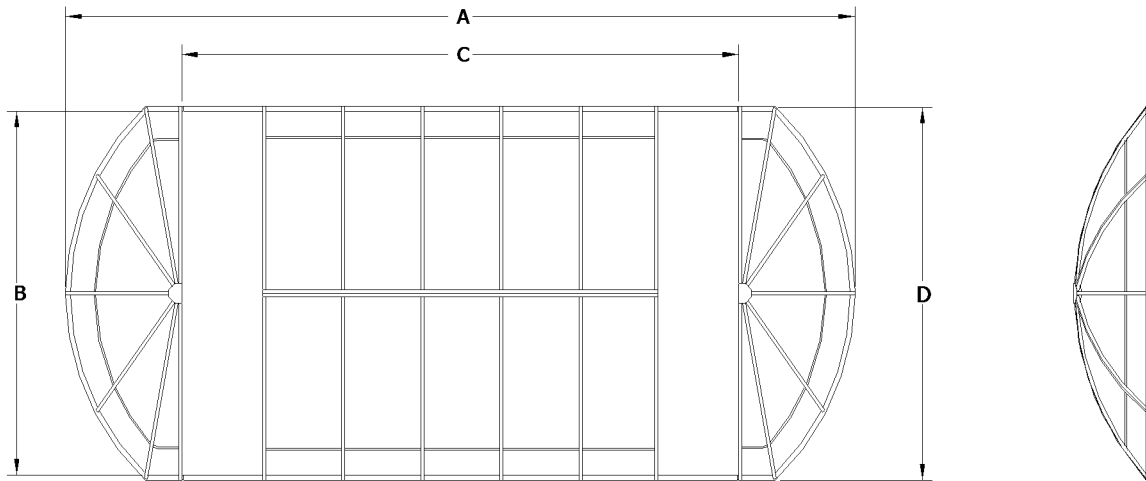


Attn: _____

**Newmans/Lund Frame
Specification Sheet**



***ALL MEASUREMENTS (±1")**

PART NO.	SIZE	OVERALL LENGTH "A"	INSIDE WIDTH "B"	SIDE RAIL LENGTH "C"	OUTSIDE WIDTH "D"
NM1200054	12' X 54"	12' 1/2"	56 1/4"	6'	59 1/4"
NM1600084	16' X 84"	16' 1/2"	86 1/4"	10'	89 1/4"
NM2000084	20' X 84"	20' 1/2"	86 1/4"	14'	89 1/4"
NM2000096	20' X 96"	20' 1/2"	98 1/4"	14'	101 1/4"
NM2400096	24' X 96"	24' 1/2"	98 1/4"	18'	101 1/4"
NM2000108	20' X 108"	20' 1/2"	110 1/4"	14'	113 1/4"
NM2200108	22' X 108"	22' 1/2"	110 1/4"	16'	113 1/4"
NM2400108	24' X 108"	24' 1/2"	110 1/4"	18'	113 1/4"
NM2600108	26' X 108"	26' 1/2"	110 1/4"	20'	113 1/4"
NM2800108	28' X 108"	28' 1/2"	110 1/4"	22'	113 1/4"
NM2400120	24' X 120"	24' 1/2"	122 1/2"	18'	125 1/2"
NM2600120	26' X 120"	26' 1/2"	122 1/2"	20'	125 1/2"
NM2800120	28' X 120"	28' 1/2"	122 1/2"	22'	125 1/2"
NM3000120	30' X 120"	30' 1/2"	122 1/2"	24'	125 1/2"

ATTACHMENT

Hooked bungee connects to aluminum bar welded across bows.

STANDARD VALANCE: 12" VALANCE

OUTSIDE DIMENSIONS

- A _____ OVERALL LENGTH OF FRAME
- B _____ INSIDE WIDTH OF FRAME
- C _____ LENGTH OF SIDE RAILS (W/O ENDS)
- D _____ OUTSIDE WIDTH OF FRAME

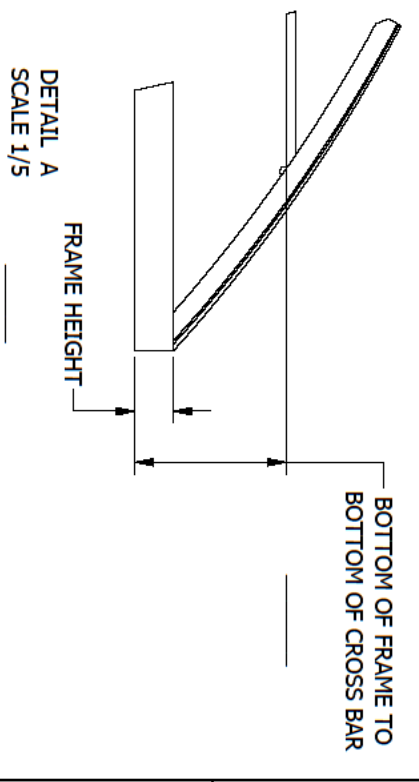
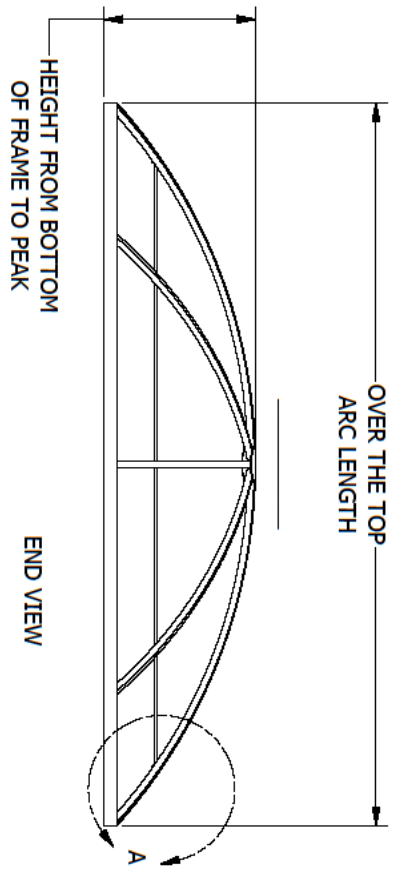
****If dimensions don't match above, fill out detail sheet on page 2****

CONTACT INFORMATION

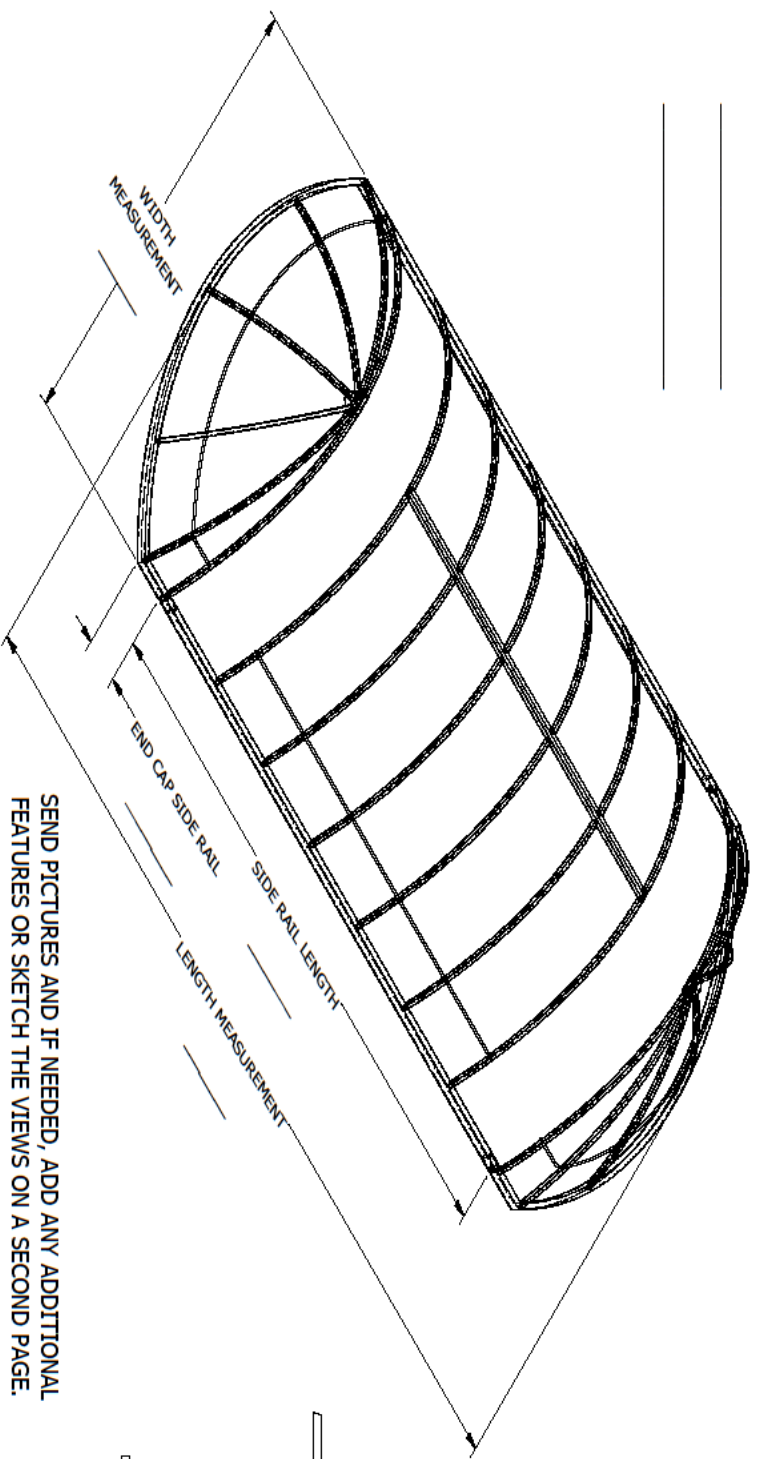
Name _____
 Address _____
 City _____ State _____ Zip _____
 Phone _____ Fax _____
 Boat Lift Brand _____

NOTES

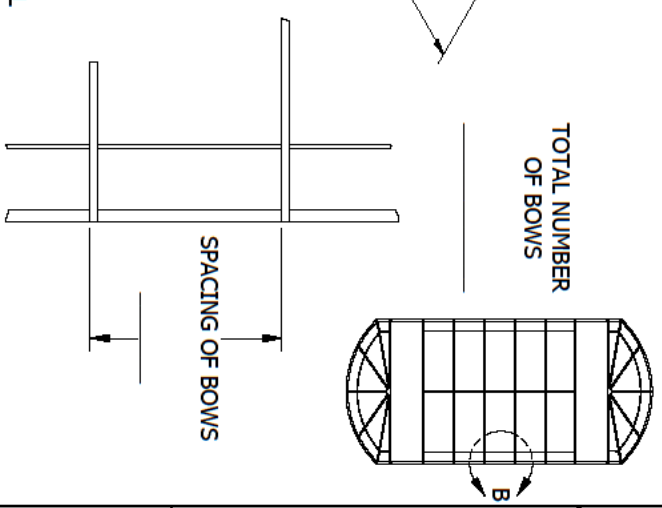
REVISIONS			ISSUER
REV	ECN	DATE	DESCRIPTION
A	EC-00469	10/4/2016	RELEASE
B	EC-00754	8/20/2018	ADDED DIM
			RML



ATTACHMENT METHOD(S)



SEND PICTURES AND IF NEEDED, ADD ANY ADDITIONAL FEATURES OR SKETCH THE VIEWS ON A SECOND PAGE.



TOLERANCES - UNLESS NOTED

DECIMAL F
FRACTION F
ANGLE F

TITLE: **NEWMANS/LUND STYLE FRAME DETAIL SHEET**

DRAWN BY: RML
DATE: 8/6/2013
SCALE: 1/1
CHECKED BY: CWG
DATE: 10/10/2016

SHEET: 1/1
PART NO: F-138

SIZE: C