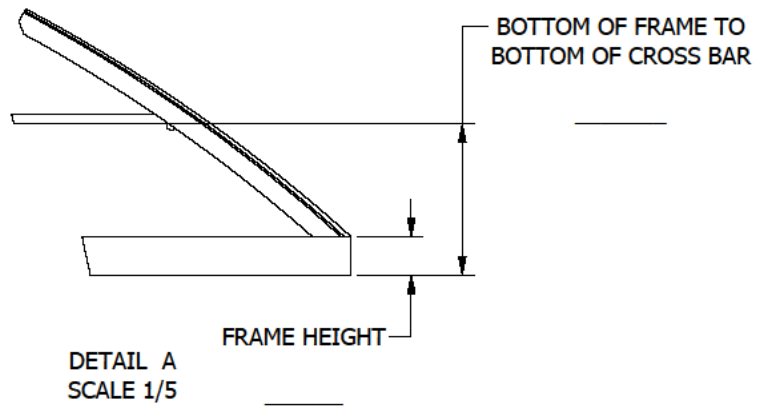
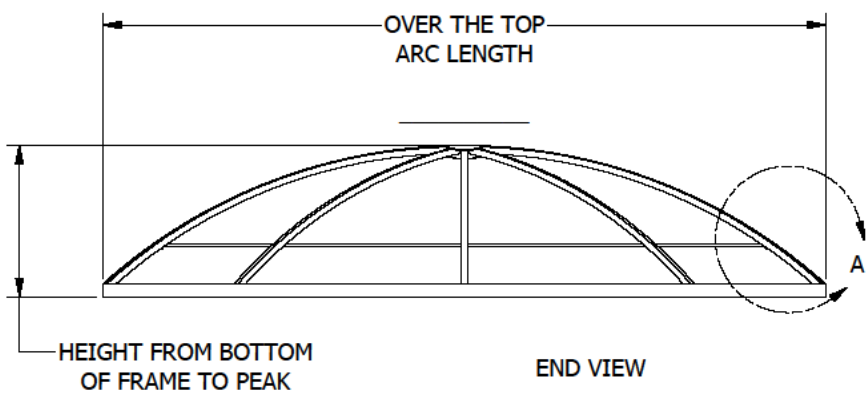
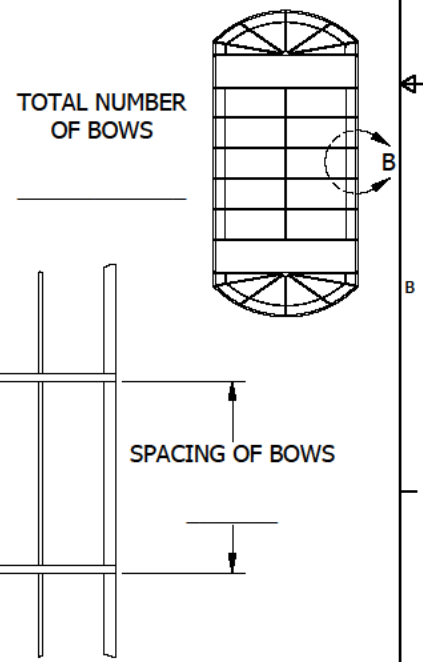
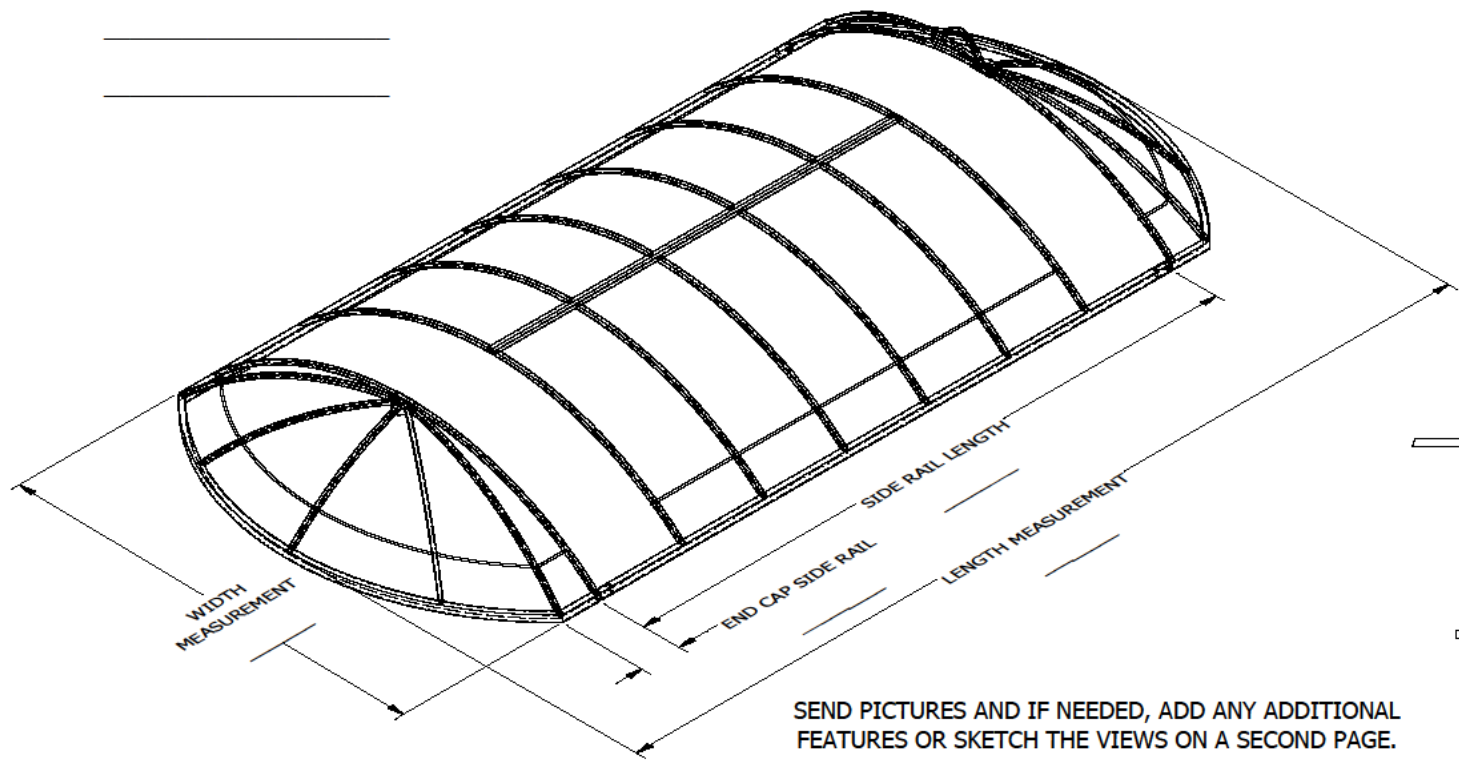


REVISIONS				
REV	ECN	DATE	DESCRIPTION	ISSUER
A	EC-00469	10/4/2016	RELEASE	RML
B	EC-00754	8/20/2018	ADDED DIM	RML



ATTACHMENT METHOD(S)



SEND PICTURES AND IF NEEDED, ADD ANY ADDITIONAL FEATURES OR SKETCH THE VIEWS ON A SECOND PAGE.

TOLERANCES - UNLESS NOTED		
DECIMAL	±	
FRACTION	±	
ANGLE	±	

TITLE: NEWMANS/LUND STYLE FRAME DETAIL SHEET				SIZE C
DRFT: RML	DATE: 8/6/2013	SCALE	SHEET 1	PART NO: F-138
ENGR: CWG	DATE: 10/10/2016		1	