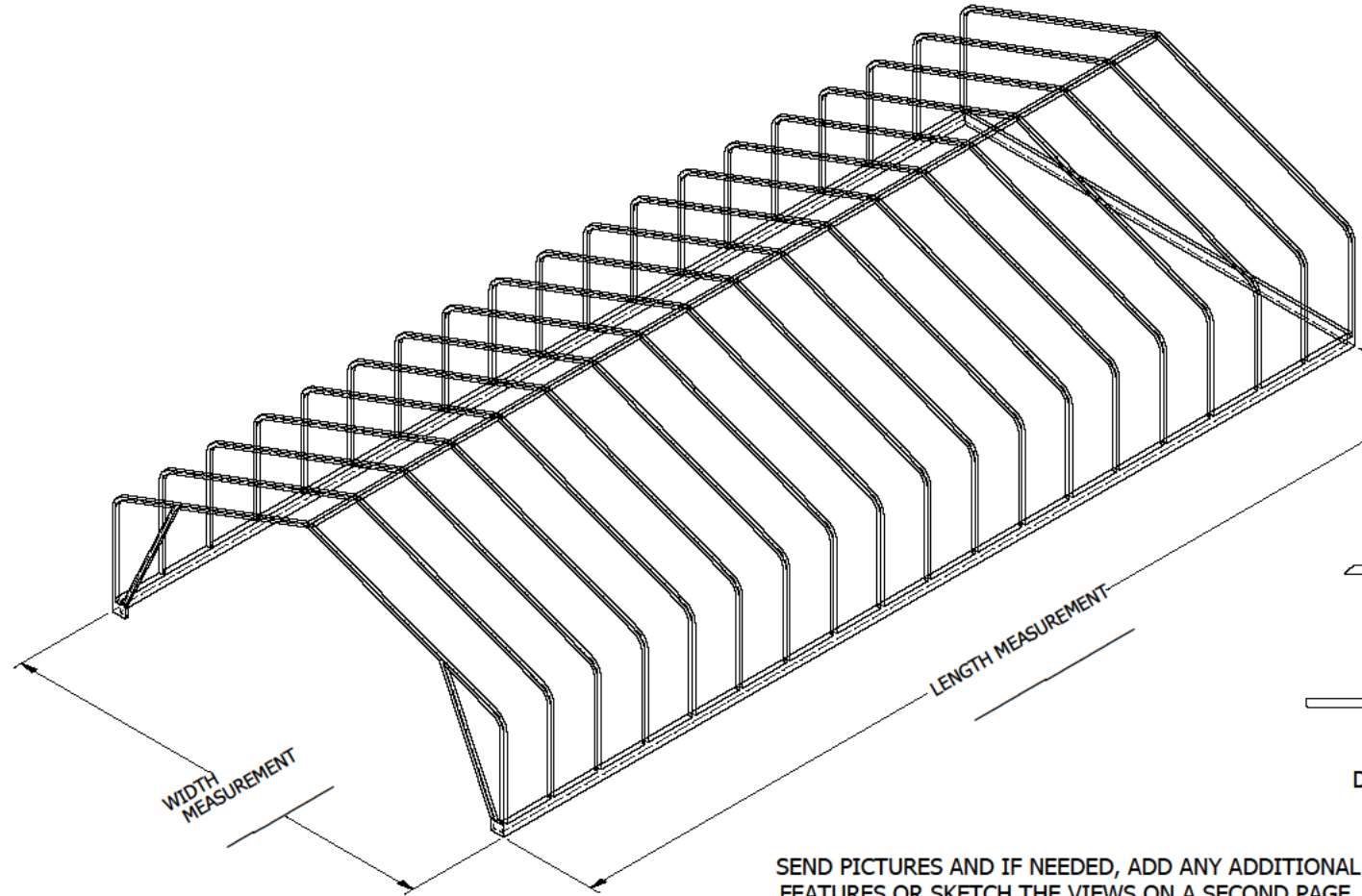
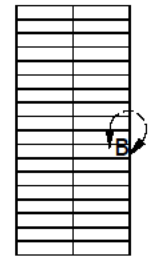
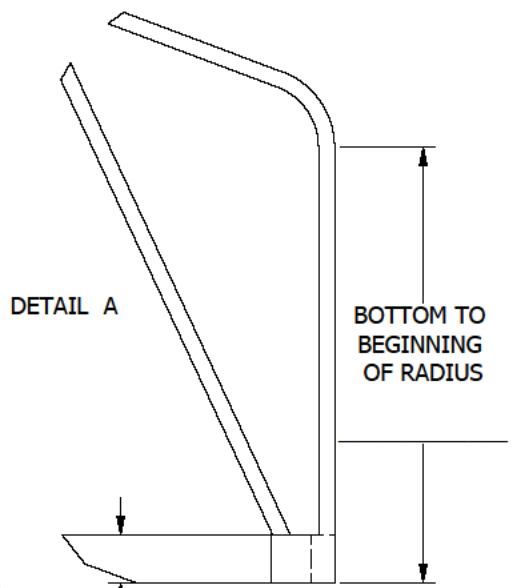
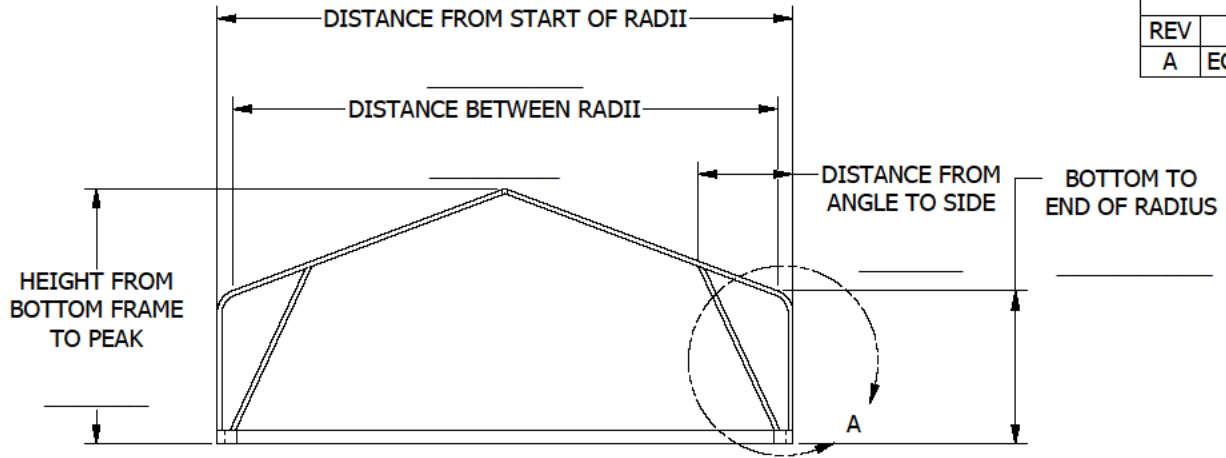


REVISIONS				
REV	ECN	DATE	DESCRIPTION	ISSUER
A	EC-00469	10/4/2016	RELEASE	RML



TOTAL # OF BOWS

DETAIL B

SPACING OF BOWS (INSIDE/INSIDE)

SEND PICTURES AND IF NEEDED, ADD ANY ADDITIONAL FEATURES OR SKETCH THE VIEWS ON A SECOND PAGE.

TOLERANCES - UNLESS NOTED		
DECIMAL ±		
FRACTION ±		
ANGLE ±		

TITLE: <b>PEAKED TOWER FRAME DETAIL SHEET</b>				SIZE <b>C</b>
DRFT: <b>RML</b>	DATE <b>11/20/2015</b>	SCALE	SHEET <b>1</b>	PART NO: <b>F-139</b>
ENGR: <b>CWG</b>	DATE <b>10/10/2016</b>		<b>1</b>	