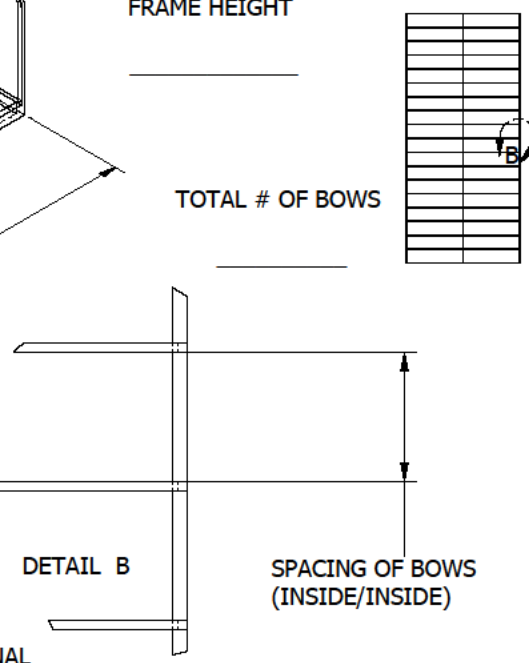
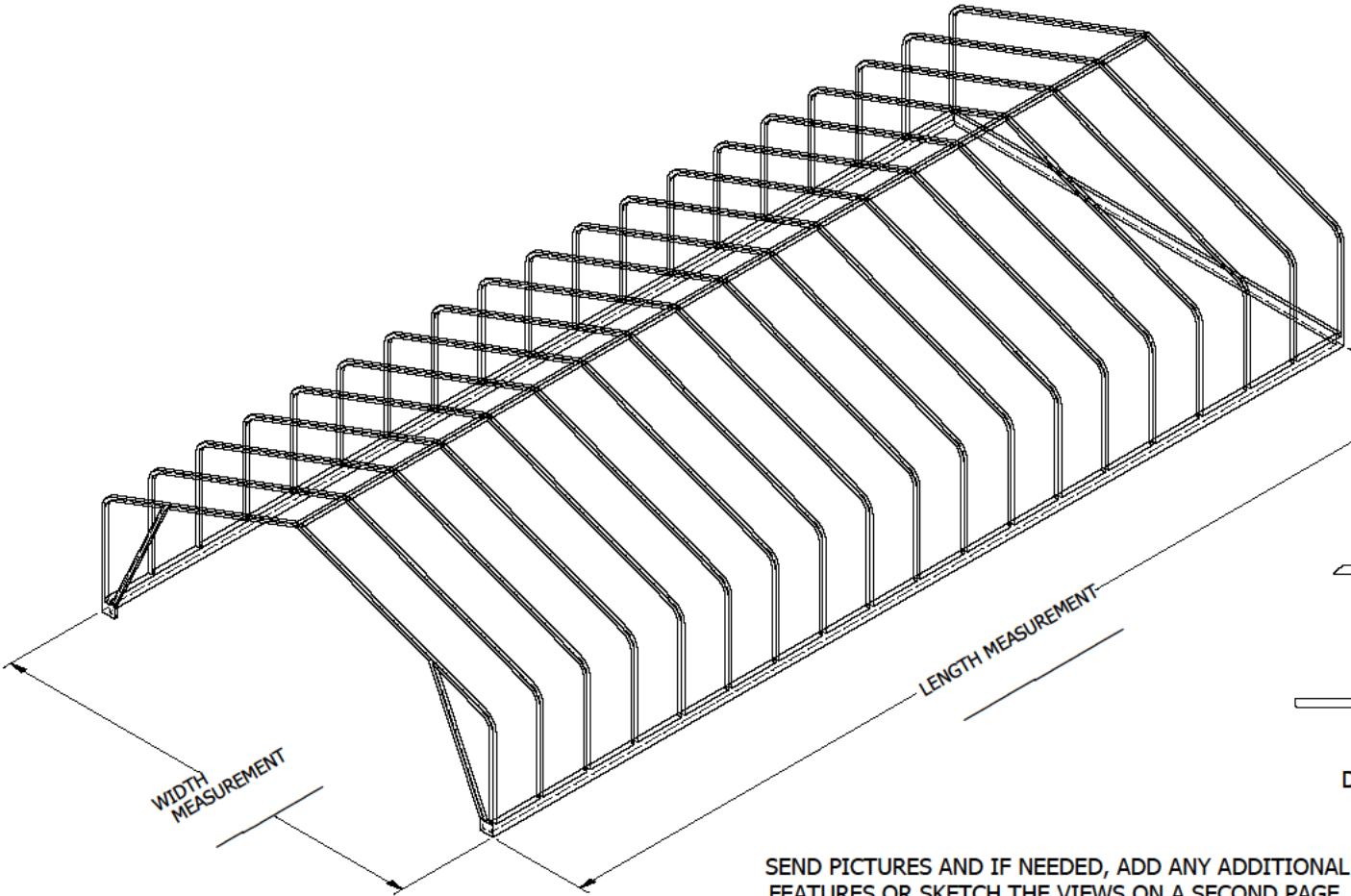
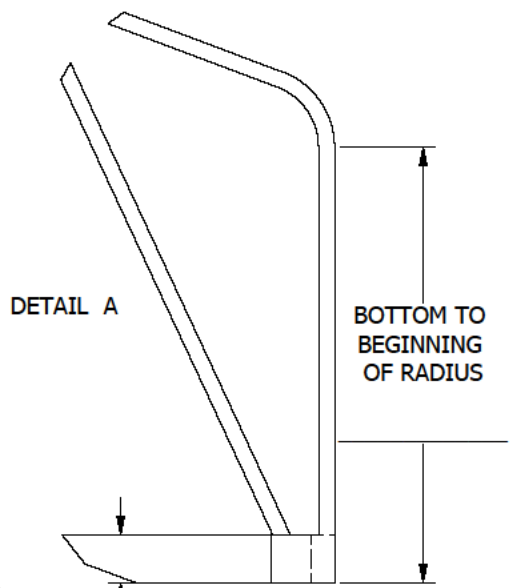
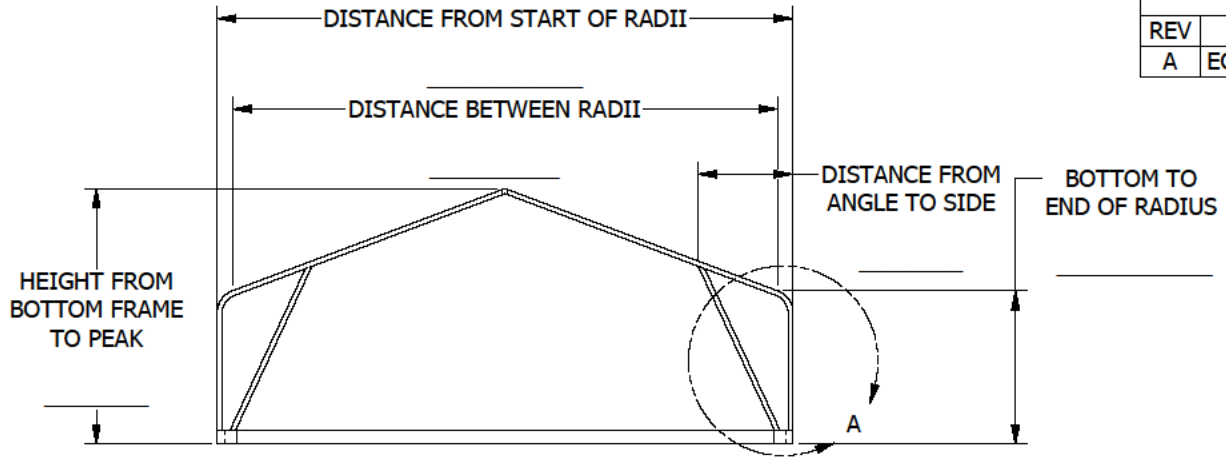


REVISIONS				
REV	ECN	DATE	DESCRIPTION	ISSUER
A	EC-00469	10/4/2016	RELEASE	RML



SEND PICTURES AND IF NEEDED, ADD ANY ADDITIONAL FEATURES OR SKETCH THE VIEWS ON A SECOND PAGE.

TOLERANCES - UNLESS NOTED	
DECIMAL ±	
FRACTION ±	
ANGLE ±	

TITLE: PEAKED TOWER FRAME DETAIL SHEET			SIZE C
DRFT: RML	DATE 11/20/2015	SCALE	SHEET 1
ENGR: CWG	DATE 10/10/2016		PART NO: F-139