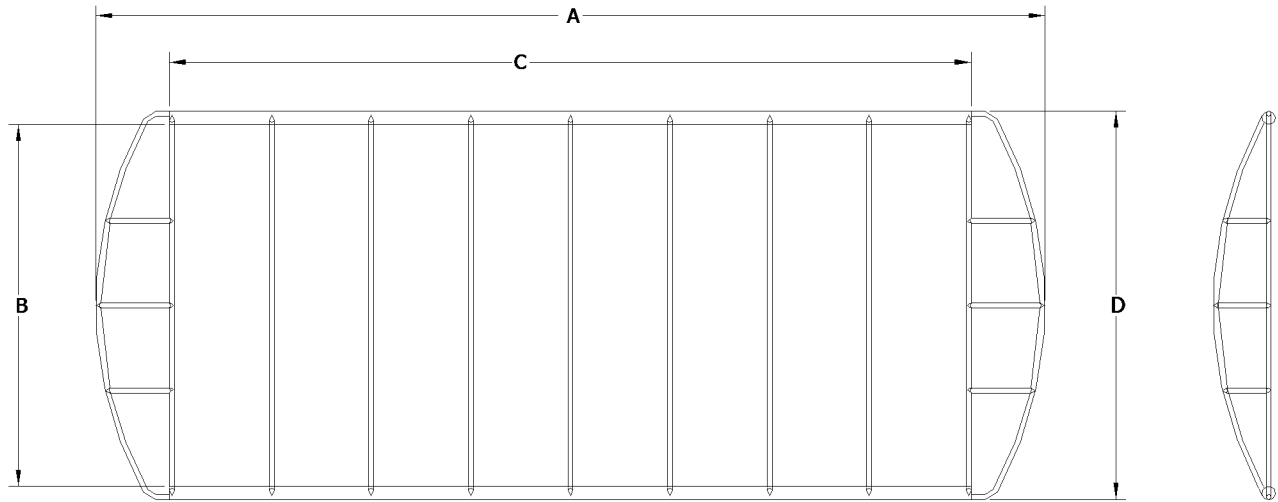


Attn: \_\_\_\_\_

**Lake Shore Products® Frame  
Specification Sheet**



**\*ALL MEASUREMENTS (±1")**

PART NO.	SIZE	NO. OF BOWS	INSIDE WIDTH "B"	SIDE RAIL LENGTH "C"	OUTSIDE WIDTH "D"
LS1800100	18' X 100"	5	99 1/4"	16'	107 1/4"
LS2000100	20' X 100"	6	99 1/4"	18'	107 1/4"
LS2200108	22' X 108"	7	107 1/4"	20'	115 1/4"
LS2400108	24' X 108"	8	107 1/4"	22'	115 1/4"
LS2600108	26' X 108"	9	107 1/4"	24'	115 1/4"
LS2200120	22' x 120"	7	119 1/4"	20'	127 1/4"
LS2400120	24' X 120"	8	119 1/4"	22'	127 1/4"
LS2600120	26' X 120"	9	119 1/4"	24'	127 1/4"
LS2800120	28' X 120"	10	119 1/4"	26'	127 1/4"
LS3000120	30' X 120"	11	119 1/4"	28'	127 1/4"

**ATTACHMENT**

Grommet strip, customer supplied spring, rope or zip tie for continuous bungee on each side and end, connected by s-hook to holes punched in each bow

STANDARD VALANCE: 20" VALANCE

**OUTSIDE DIMENSIONS**

- A \_\_\_\_\_ OVERALL LENGTH OF FRAME
- B \_\_\_\_\_ INSIDE WIDTH OF FRAME
- C \_\_\_\_\_ LENGTH OF SIDE RAILS (W/O ENDS)
- D \_\_\_\_\_ OUTSIDE WIDTH OF FRAME

**\*\*If dimensions don't match above,  
fill out detail sheet on page 2\*\***

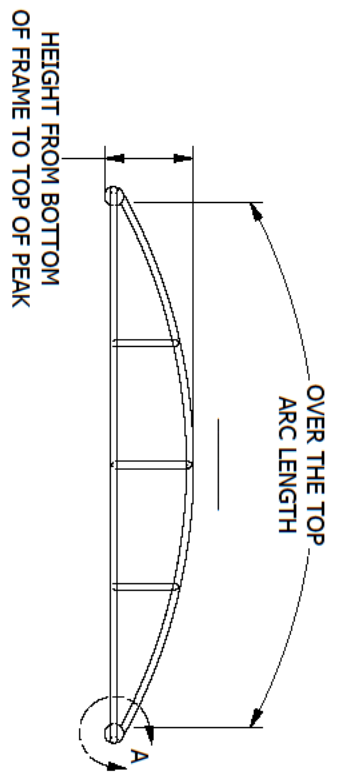
**CONTACT INFORMATION**

Name \_\_\_\_\_  
 Address \_\_\_\_\_  
 City \_\_\_\_\_ State \_\_\_\_\_ Zip \_\_\_\_\_  
 Phone \_\_\_\_\_ Fax \_\_\_\_\_  
 Boat Lift Brand \_\_\_\_\_

**NOTES**

\_\_\_\_\_  
 \_\_\_\_\_  
 \_\_\_\_\_

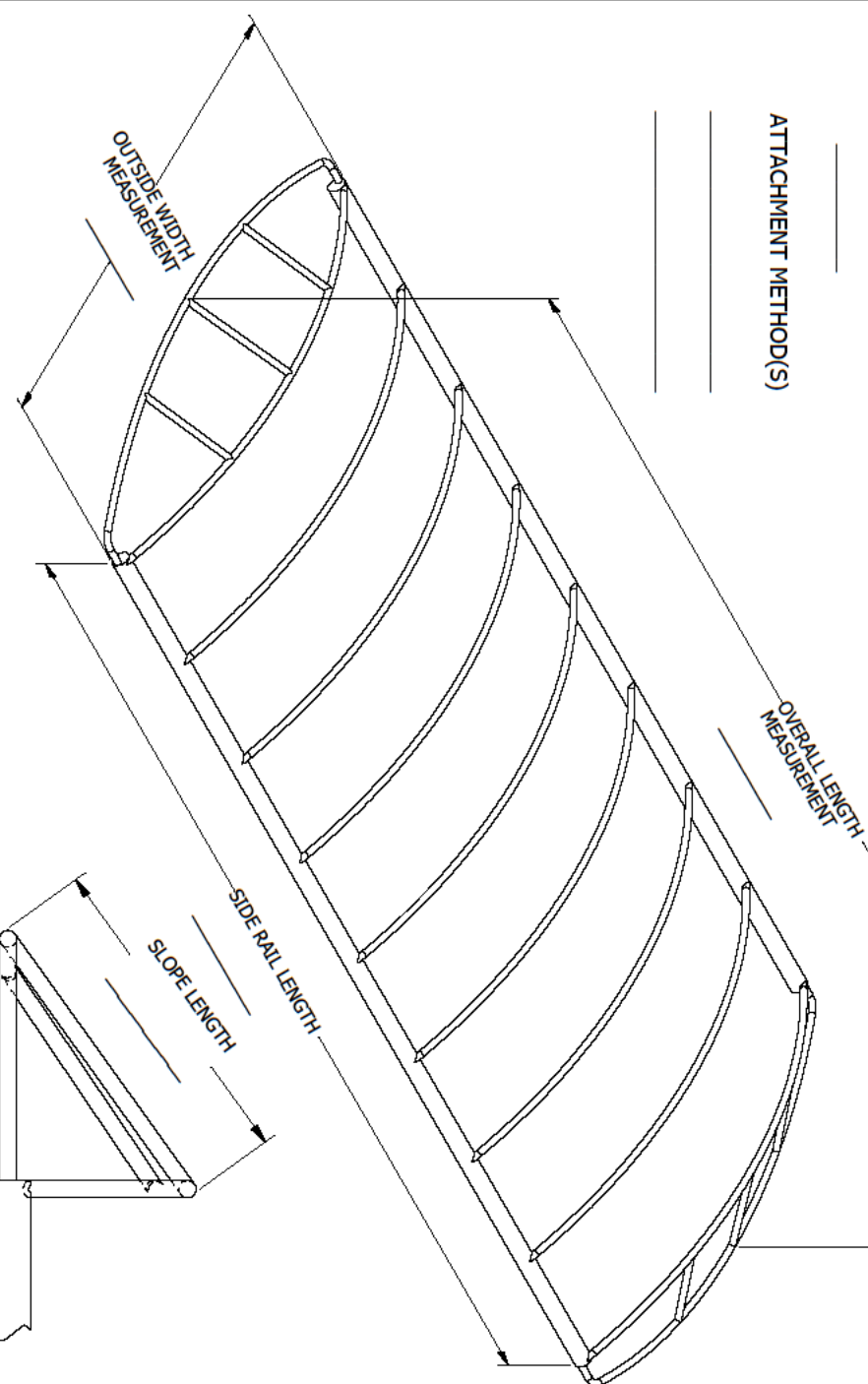
REVISIONS				ISSUER
REV	ECN	DATE	DESCRIPTION	RML
A	EC-00469	10/4/2016	RELEASE	RML



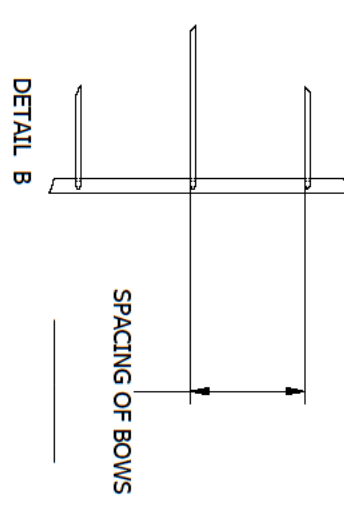
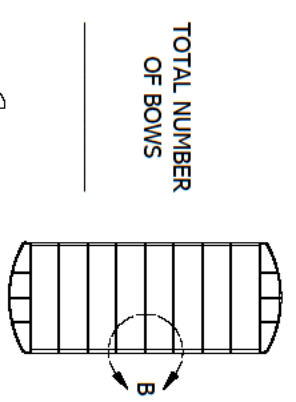
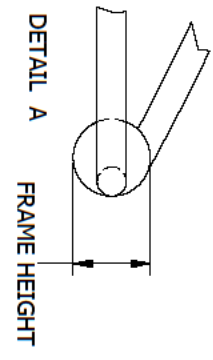
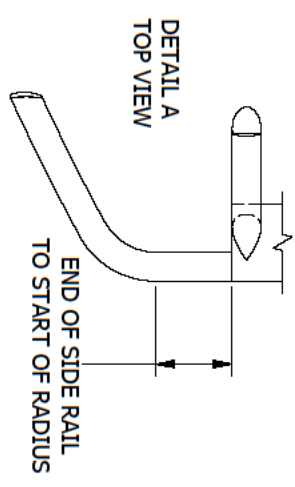
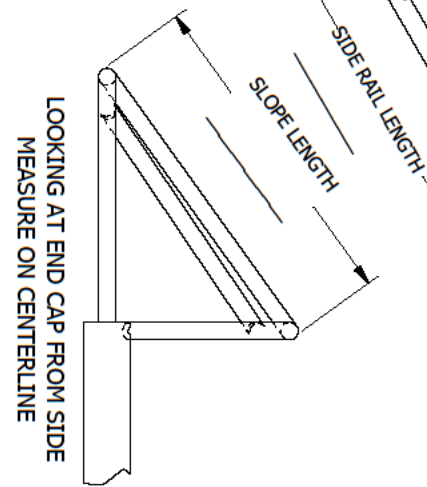
ATTACHMENT METHOD(S)

\_\_\_\_\_

\_\_\_\_\_



SEND PICTURES AND IF NEEDED, ADD ANY ADDITIONAL FEATURES OR SKETCH THE VIEWS ON A SECOND PAGE.



TOLERANCES - UNLESS NOTED

DECIMAL F.  
FRACTION F.  
ANGLE F.

TITLE: **ROUNDED END FRAME DETAIL SHEET**

DRAWN: RML  
ENGR: CWS

DATE: 4/10/2014  
DATE: 10/10/2016

SCALE

SHEET 1

PART NO:

**F-135**

SIZE **C**