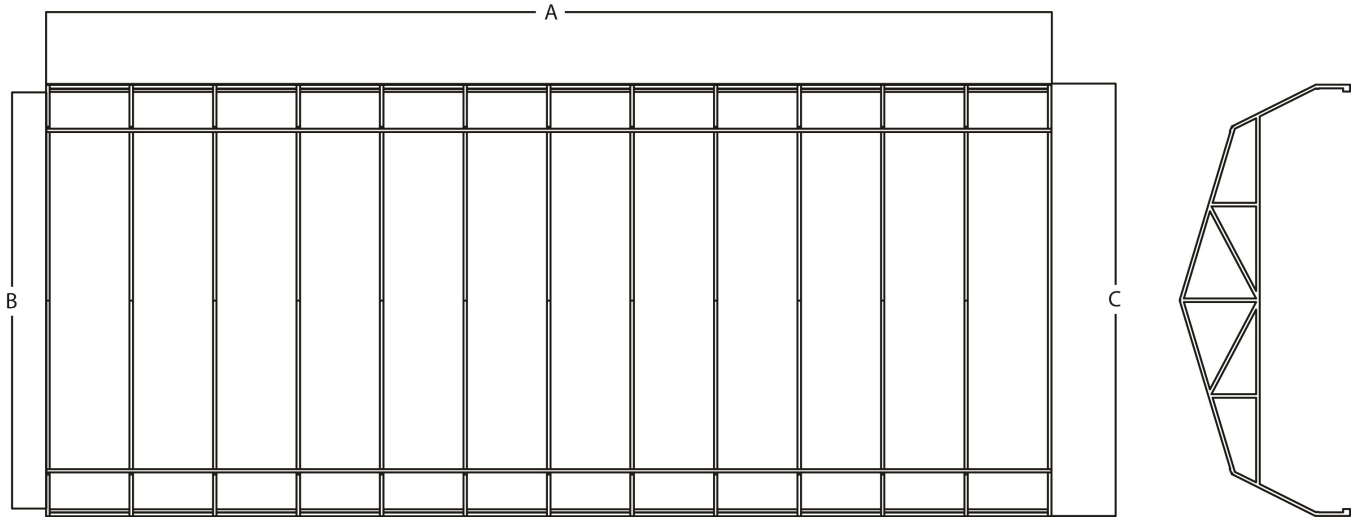


Attn: _____

**Hewitt Tower Frame
Specification Sheet**



***ALL MEASUREMENTS (±1")**

PART NO. TOWER	SIZE	OVERALL LENGTH "A"	INSIDE WIDTH "B"	OUTSIDE WIDTH "C"
HWT2200120	22' X 120"	22'	114"	120"
HWT2400120	24' X 120"	24'	114"	120"
HWT2600120	26' X 120"	26'	114"	120"
HWT2800120	28' X 120"	28'	114"	120"
HWT3000120	30' X 120"	30'	114"	120"

****If dimensions don't match above,
fill out detail sheet on page 2****

ATTACHMENT

Ball bungees wrap around each bow on the sides

Hooked bungees attach to a ring welded to each bow on the ends

STANDARD VALANCE: 12" VALANCE

OUTSIDE DIMENSIONS

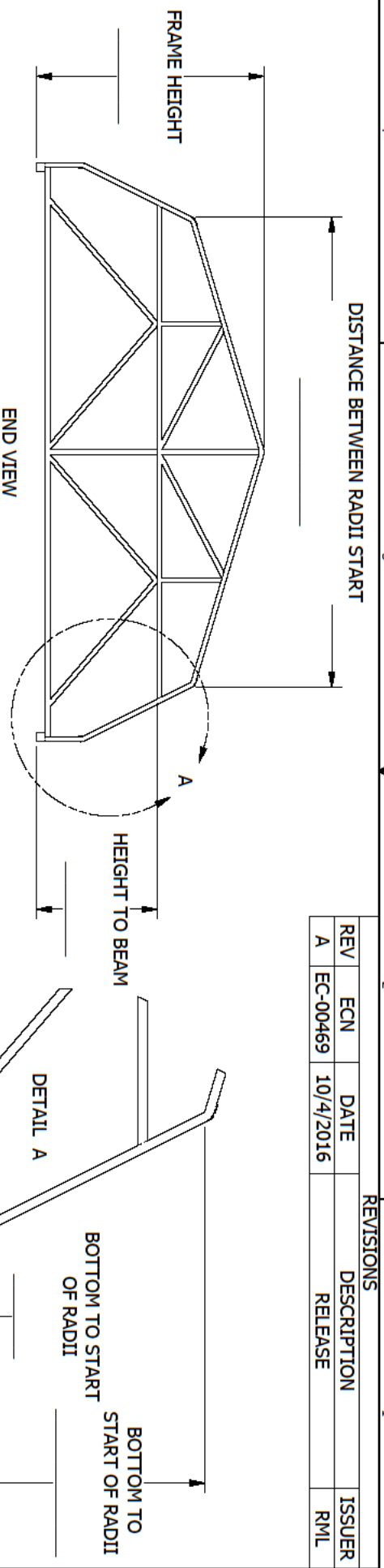
A _____ OVERALL LENGTH OF FRAME
 B _____ INSIDE WIDTH OF FRAME
 C _____ OUTSIDE WIDTH OF FRAME

CONTACT INFORMATION

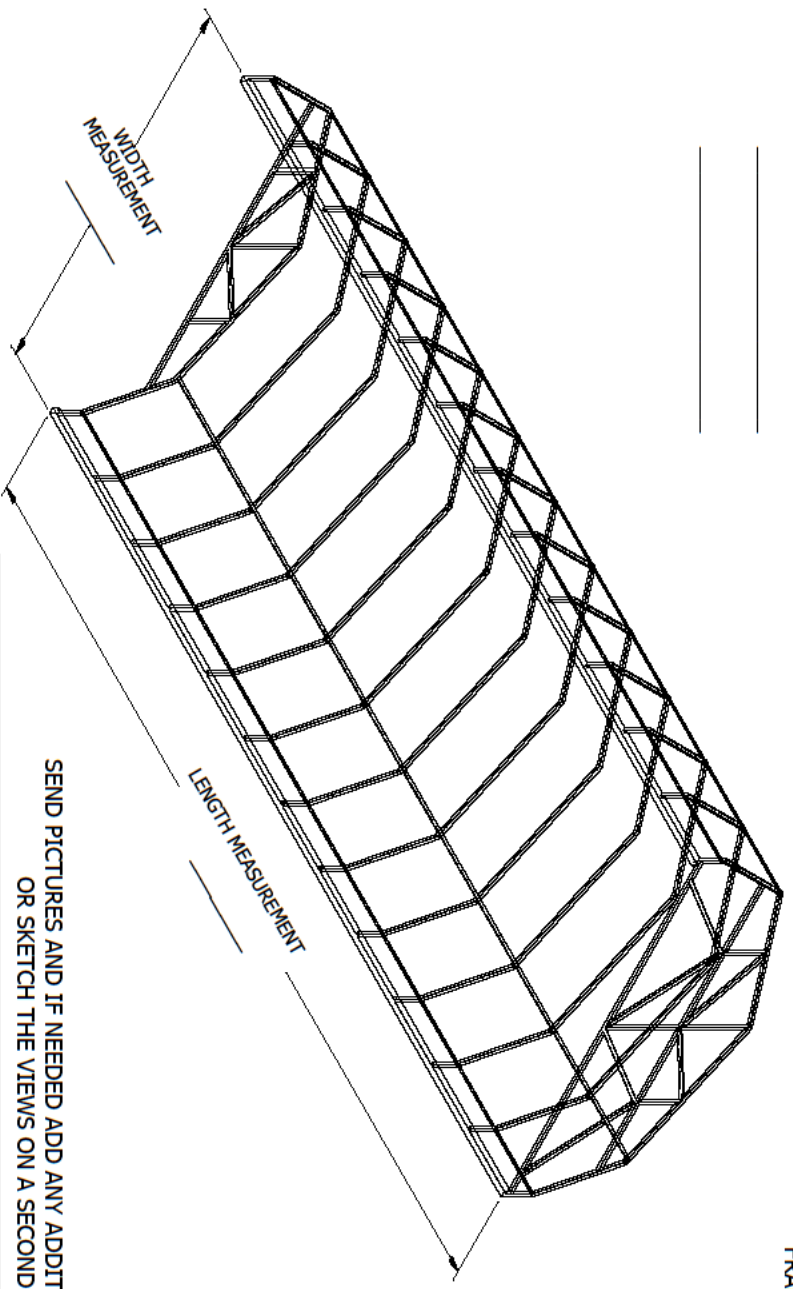
Name _____
 Address _____
 City _____ State _____ Zip _____
 Phone _____ Fax _____
 Boat Lift Brand _____

NOTES

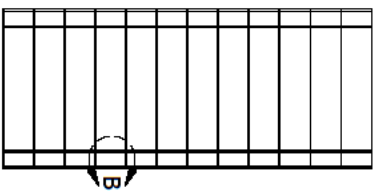
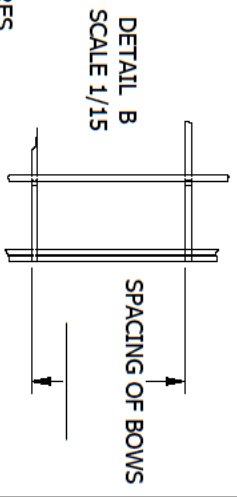
REVISIONS				ISSUER
REV	ECN	DATE	DESCRIPTION	RML
A	EC-00469	10/4/2016	RELEASE	RML



ATTACHMENT METHOD(S)



SEND PICTURES AND IF NEEDED ADD ANY ADDITIONAL FEATURES OR SKETCH THE VIEWS ON A SECOND PAGE.



TOLERANCES - UNLESS NOTED				SIZE
DECIMAL F.	FRACTIONAL F.	ANGLE F.		C
TITLE: GAMBRREL TOWER FRAME DETAIL SHEET				
DRAWN: RML	DATE: 9/18/2015	SCALE: 1	SHEET: 1	PART NO: F-137
ENGR: OWG	DATE:			