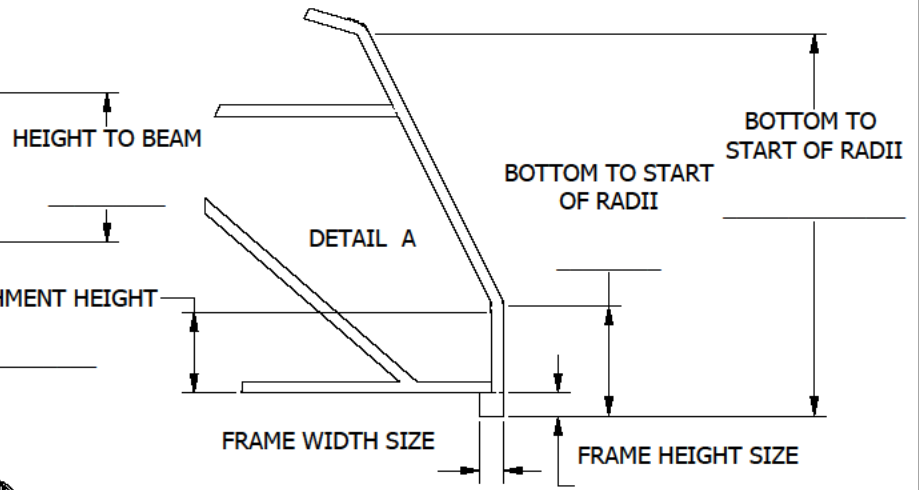
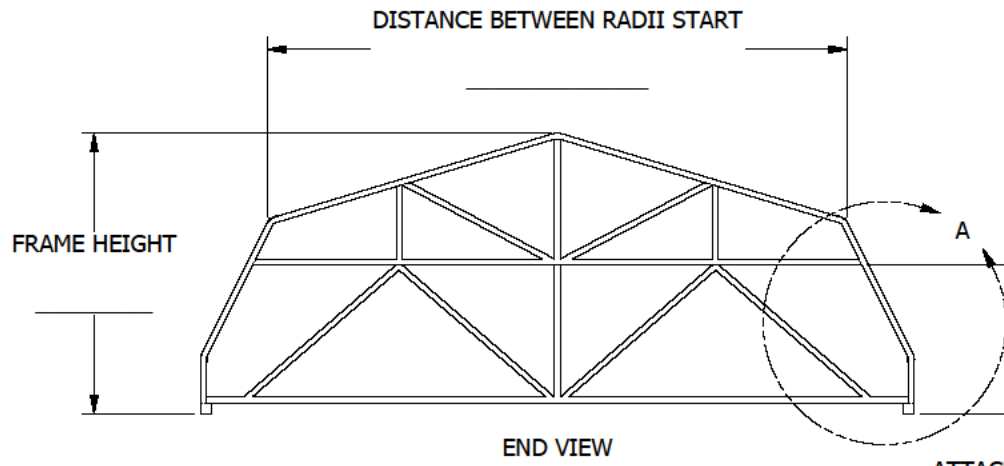


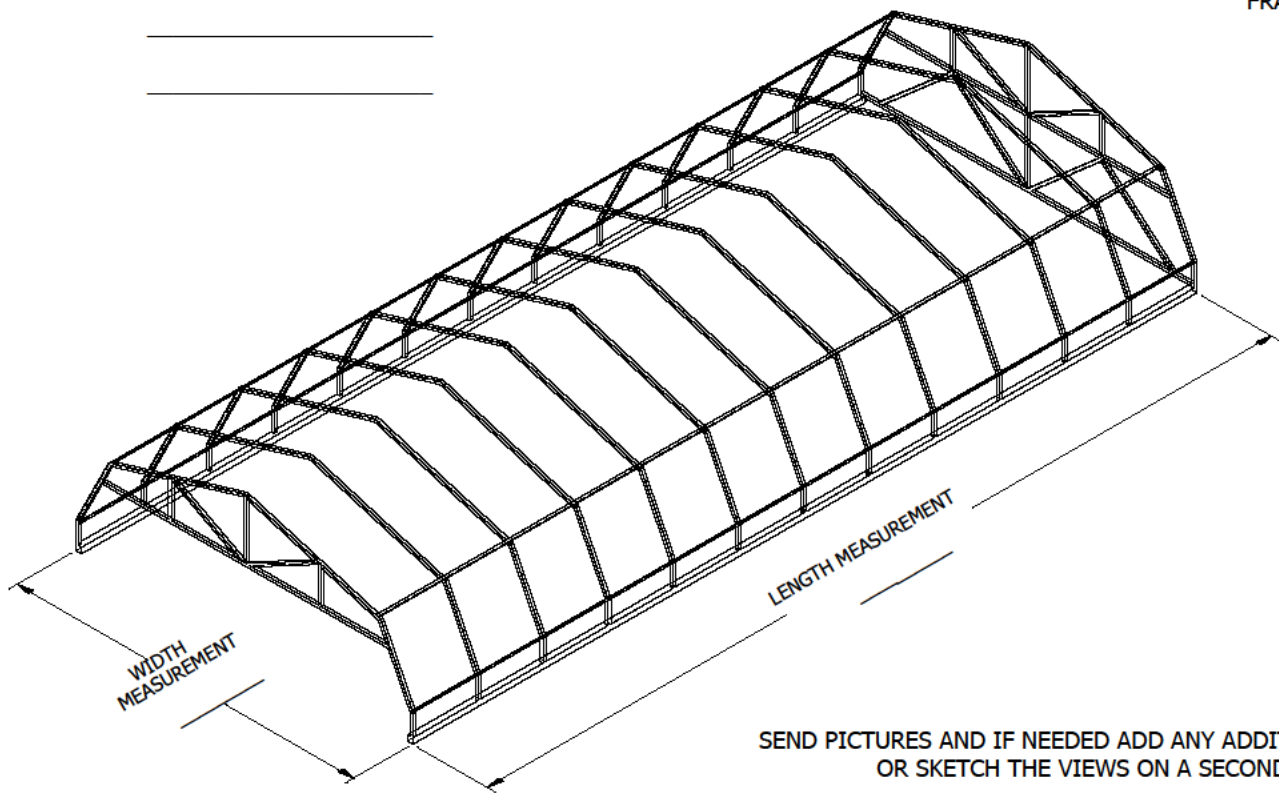
REVISIONS				
REV	ECN	DATE	DESCRIPTION	ISSUER
A	EC-00469	10/4/2016	RELEASE	RML



ATTACHMENT METHOD(S)

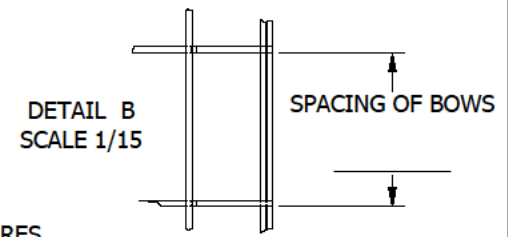
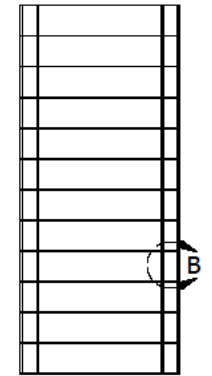
\_\_\_\_\_

\_\_\_\_\_



TOTAL NUMBER OF BOWS (INCLUDING ENDS)

\_\_\_\_\_



TOLERANCES - UNLESS NOTED		
DECIMAL ±		
FRACTION ±		
ANGLE ±		

TITLE: <b>GAMBREL TOWER FRAME DETAIL SHEET</b>		SIZE <b>C</b>
DRFT: RML	DATE 9/18/2015	SCALE
ENGR: CWG	DATE	SHEET 1/1
PART NO: <b>F-137</b>		