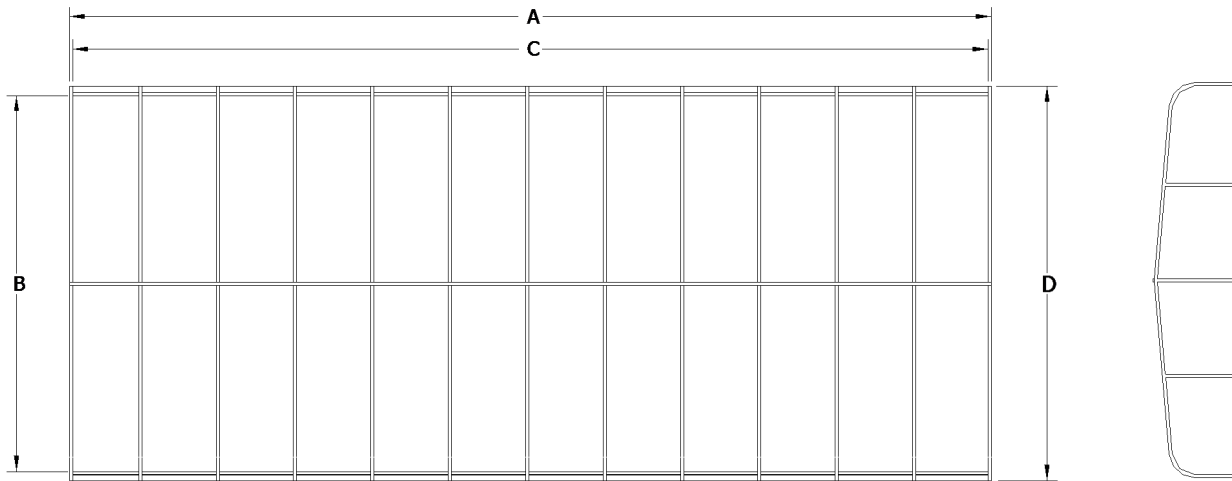


Attn: _____

**Harbor Master® Flat Front Frame
Specification Sheet**



***ALL MEASUREMENTS (±1")**

PART NO.	SIZE	OVERALL LENGTH "A"	INSIDE WIDTH "B"	SIDE RAIL LENGTH "C"	OUTSIDE WIDTH "D"
HMA2400114	24' X 114"	24'	114"	23' 10"	118"
HMA2700114	27' X 114"	27'	114"	26' 10"	118"
HMA2400120	24' X 120"	24'	120"	23' 10"	124"
HMA2700120	27' X 120"	27'	120"	26' 10"	124"

ATTACHMENT

Hooked bungee attaches to d-rings and hook over aluminum rod on frame.

STANDARD VALANCE: 12" VALANCE

****If dimensions don't match above,
fill out detail sheet on page 2****

**OU
TSI
DE
DI-
ME
NSI
ON**

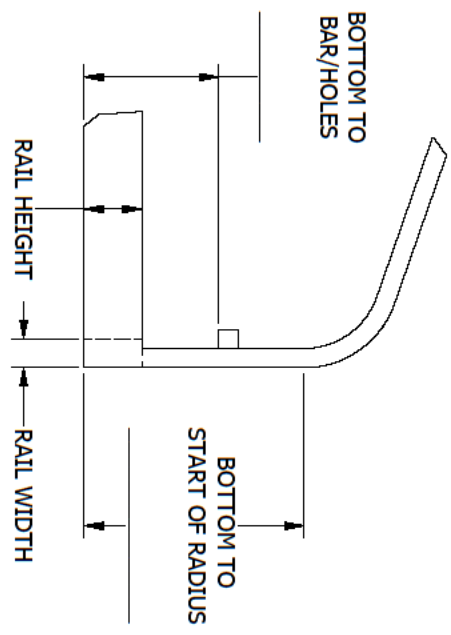
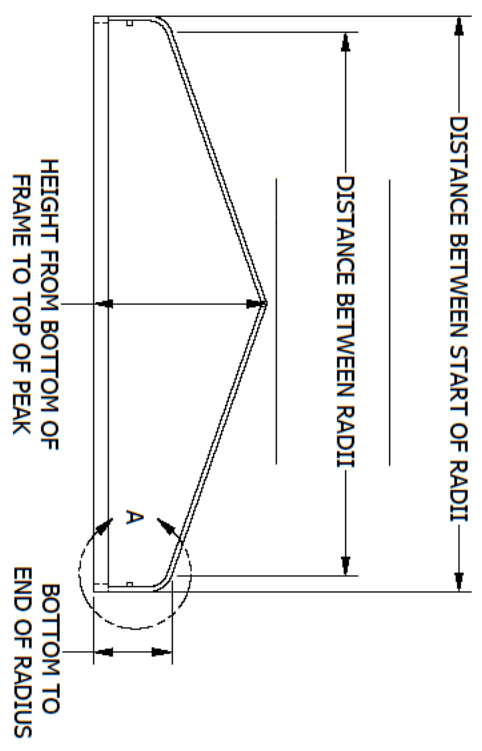
CONTACT INFORMATION

Name _____
 Address _____
 City _____ State _____ Zip _____
 Phone _____ Fax _____
 Boat Lift Brand _____

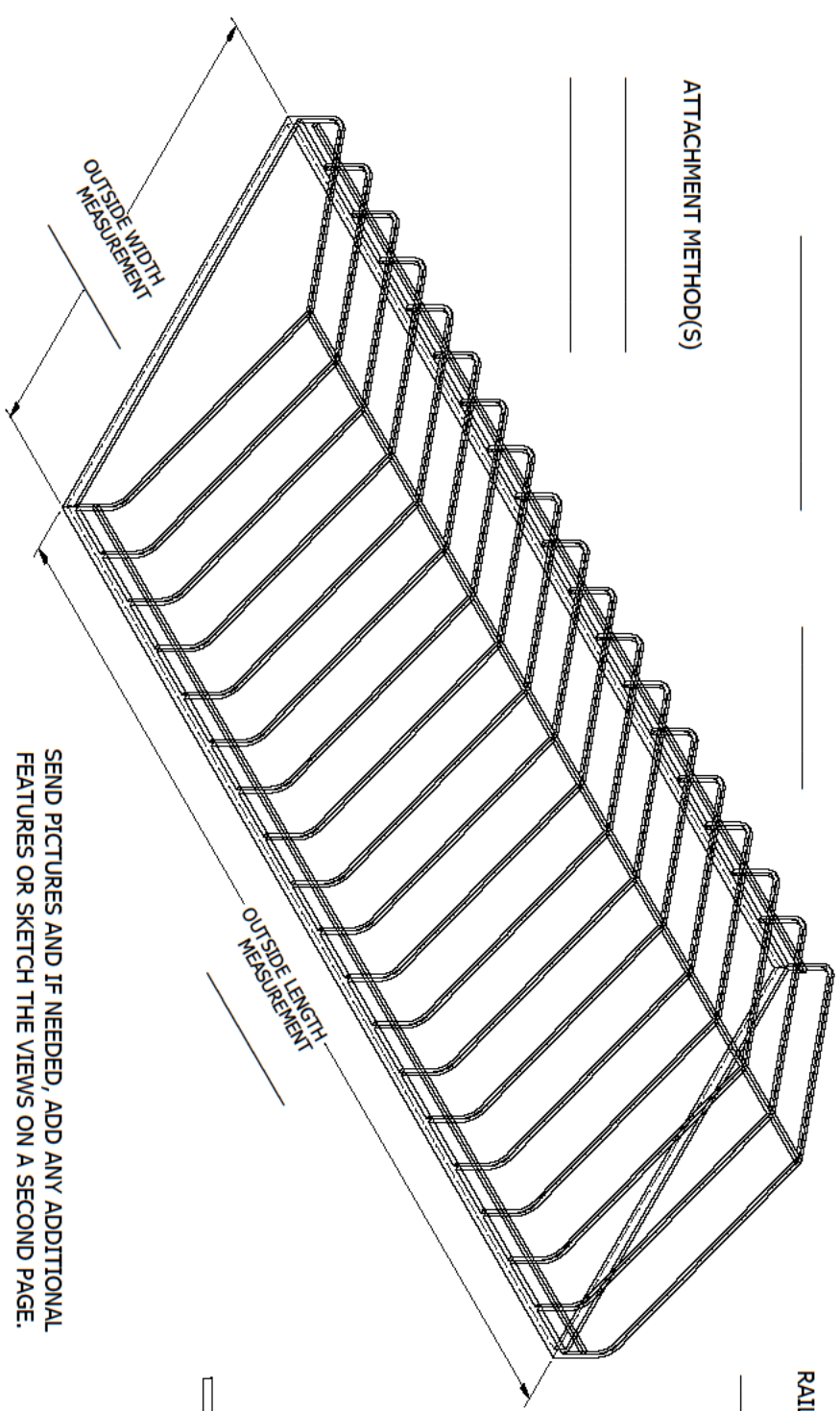
NOTES

REV	ECN	DATE	DESCRIPTION	ISSUER
A	EC-00469	10/4/2016	RELEASE	RML

REVISIONS



ATTACHMENT METHOD(S)



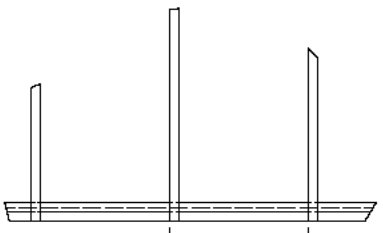
TOTAL NUMBER OF BOWS



SPACING OF BOWS

SEND PICTURES AND IF NEEDED, ADD ANY ADDITIONAL FEATURES OR SKETCH THE VIEWS ON A SECOND PAGE.

DETAIL B



DETAIL A

TOLERANCES - UNLESS NOTED

DECIMAL F.
FRACTION F.
ANGLE F.

TITLE: **PEAKED FLUSHED END FRAME DETAIL SHEET**

DWGT: RML
ENGR: CMG

DATE: 10/4/2016
DATE: 10/10/2016

SCALE: 1/1

SHEET: 1/1

PART NO: F-133

SIZE: C