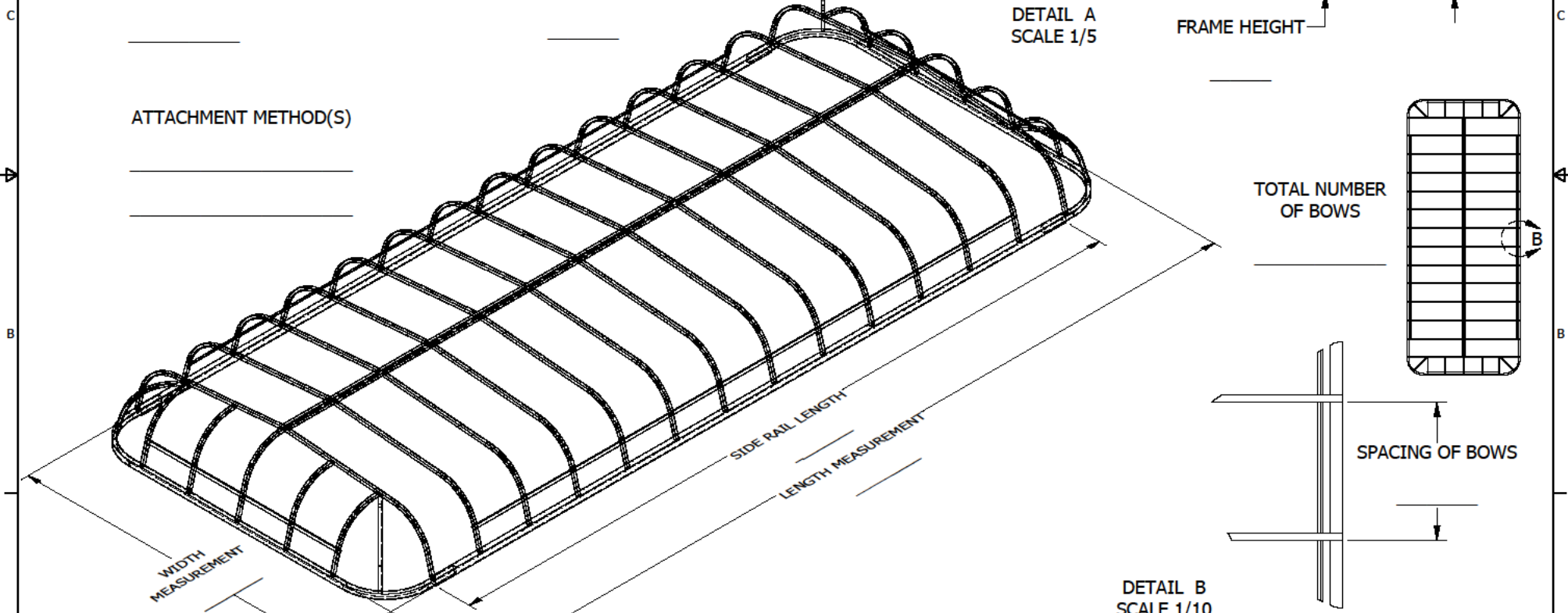
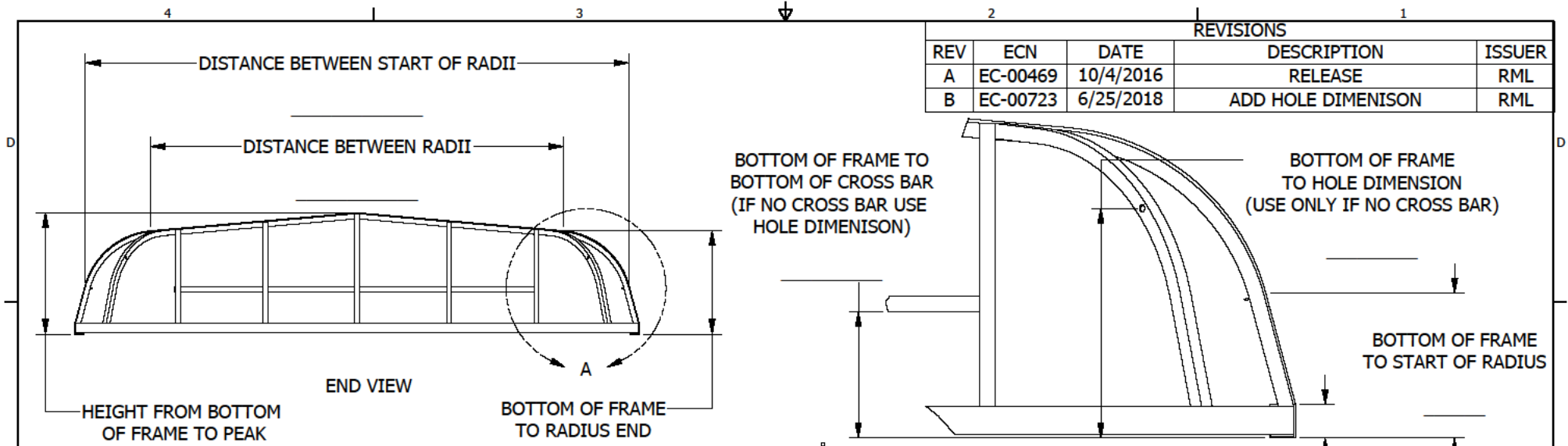


REVISIONS				
REV	ECN	DATE	DESCRIPTION	ISSUER
A	EC-00469	10/4/2016	RELEASE	RML
B	EC-00723	6/25/2018	ADD HOLE DIMENSION	RML



ATTACHMENT METHOD(S)

SEND PICTURES AND IF NEEDED, ADD ANY ADDITIONAL FEATURES OR SKETCH THE VIEWS ON A SECOND PAGE.

TOLERANCES - UNLESS NOTED	
DECIMAL	±
FRACTION	±
ANGLE	±

TITLE: ROUND CORNER FRAME DETAIL SHEET				SIZE C
DRFT: RML	DATE 4/2/2014	SCALE	SHEET 1	PART NO: F-134
ENGR: CWG	DATE 10/10/2016		1	