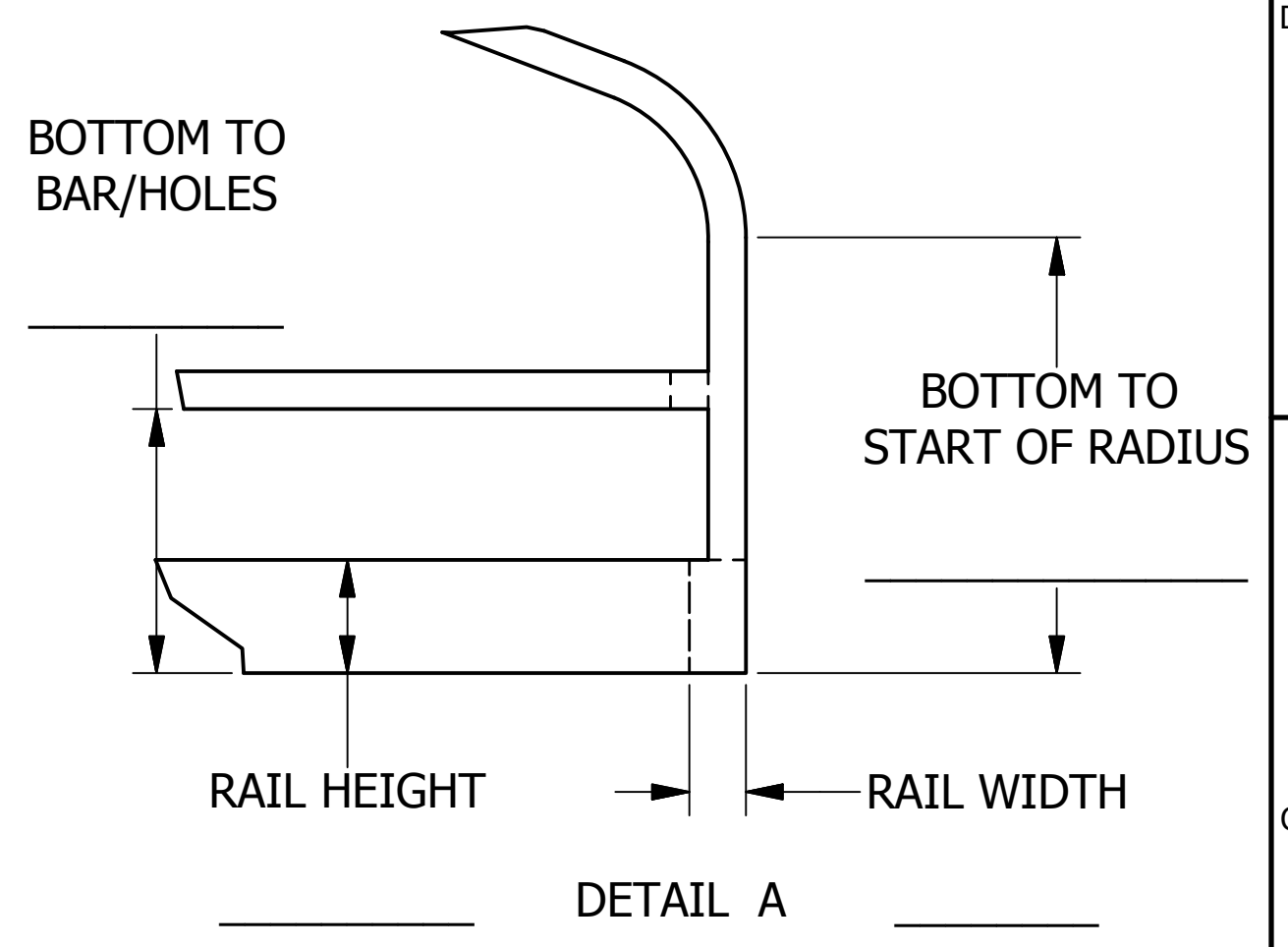
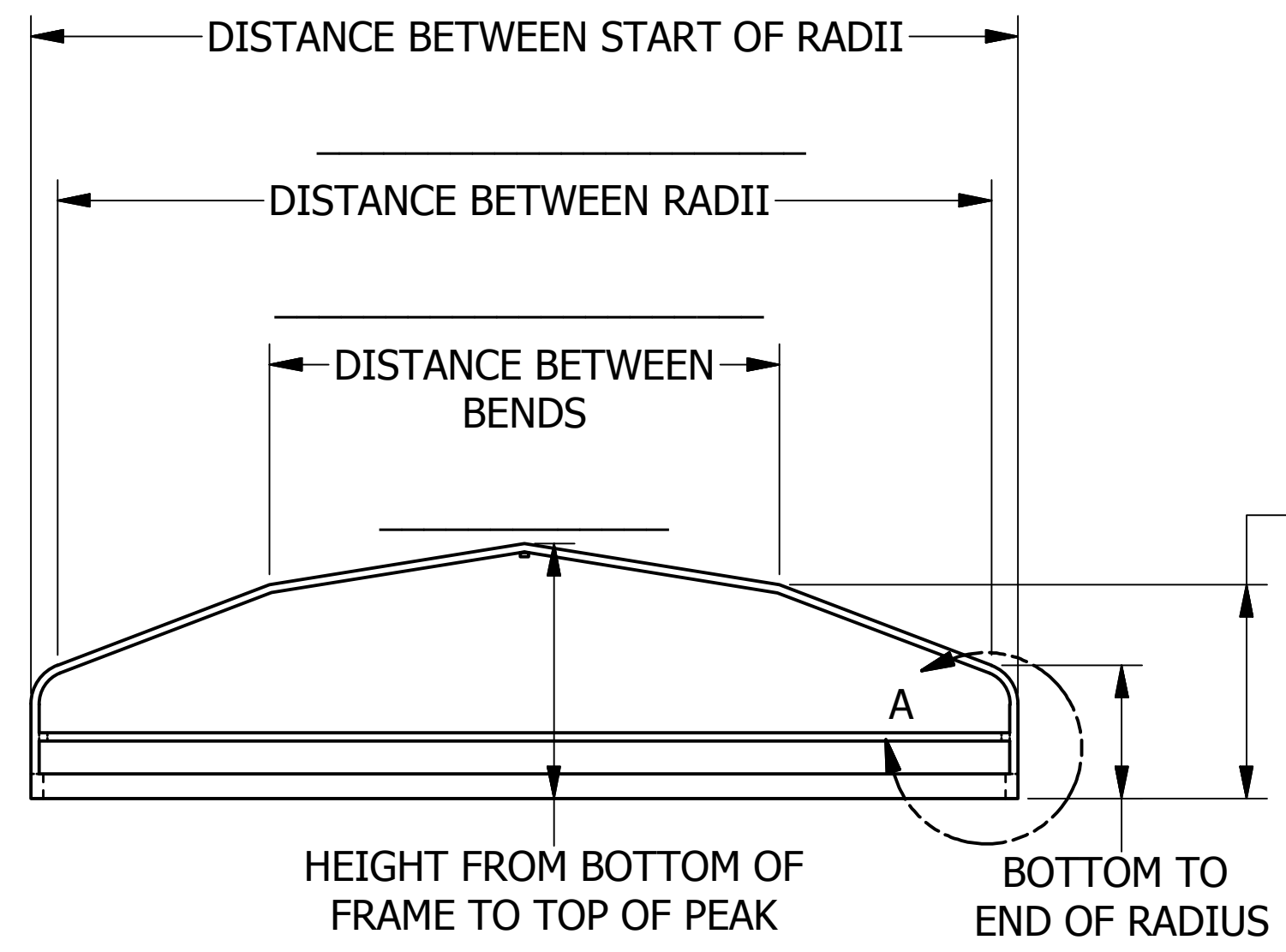
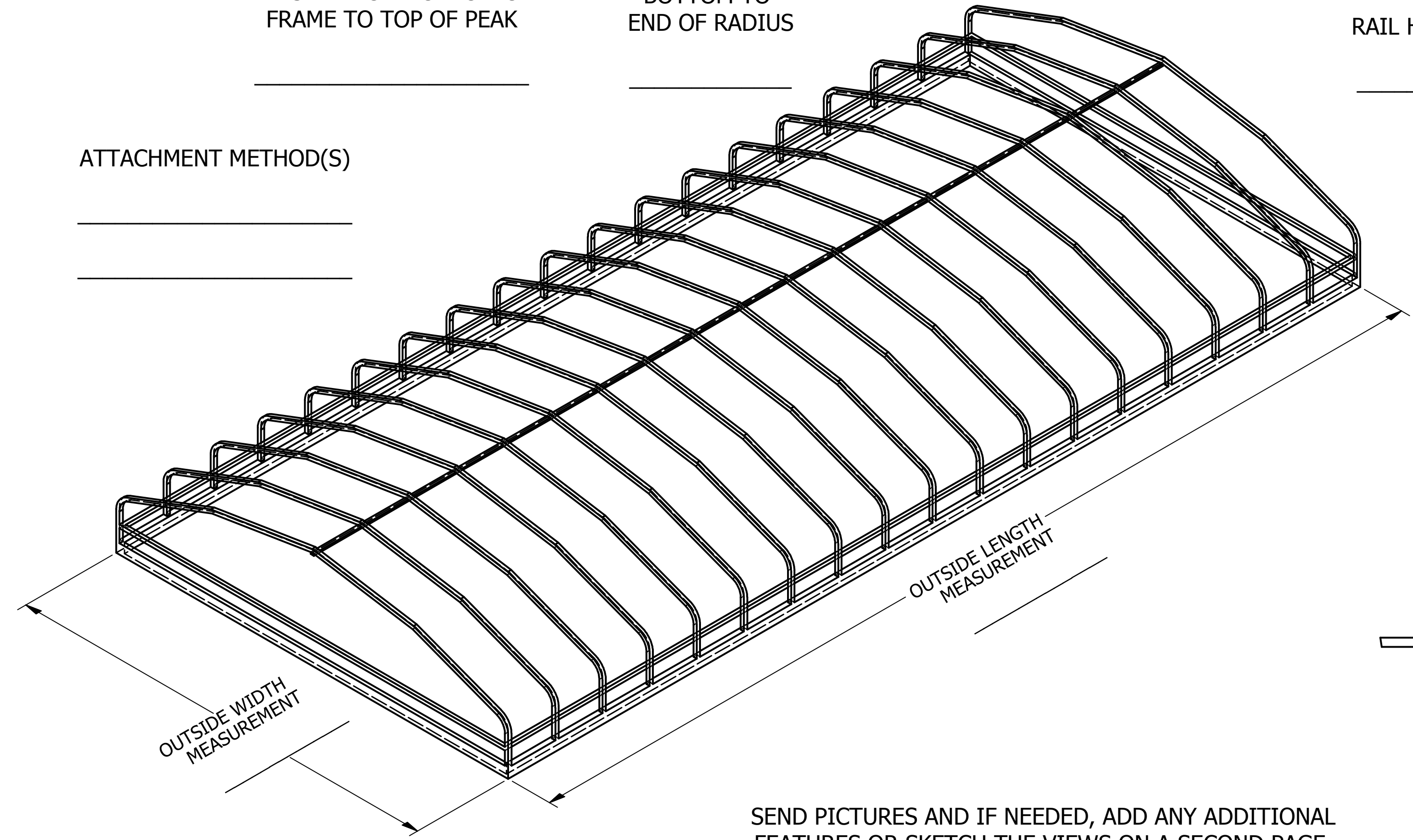
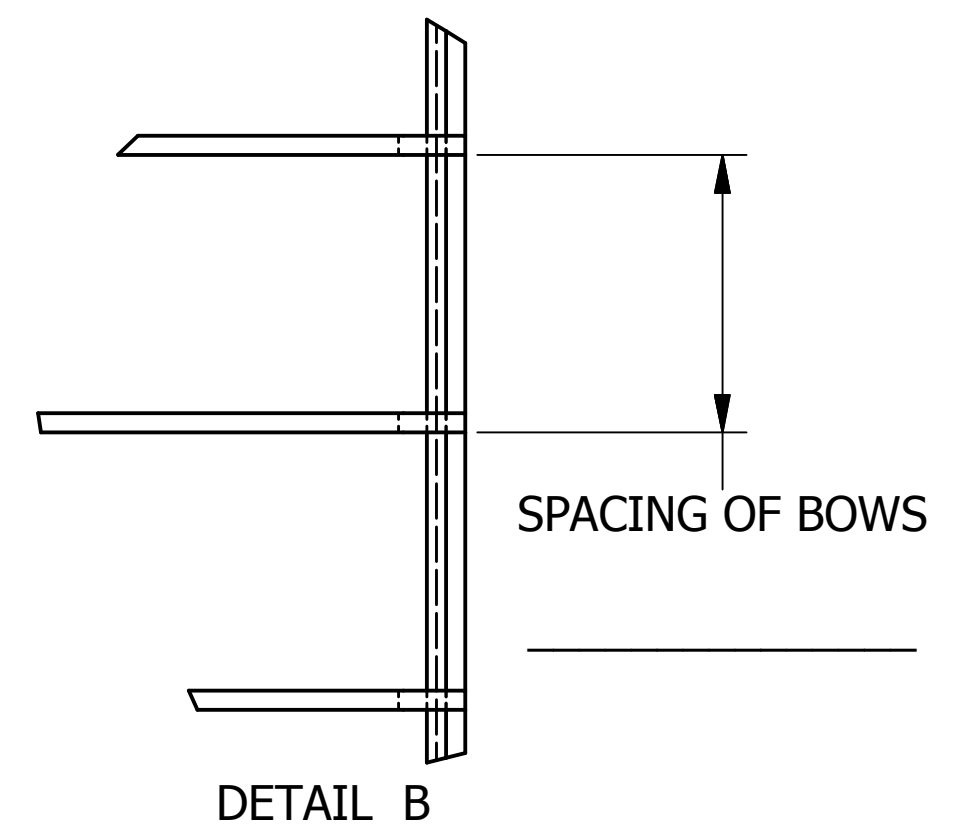
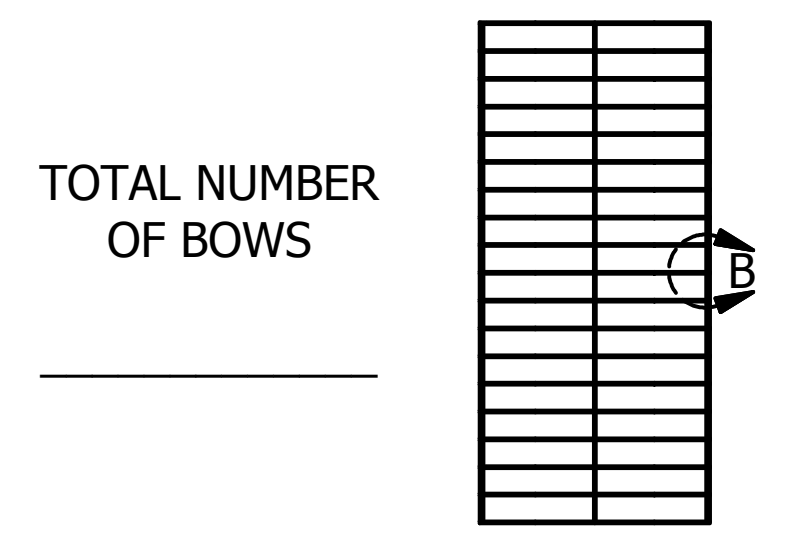


REVISIONS				
REV	ECN	DATE	DESCRIPTION	ISSUER
A	EC-00469	10/3/2016	RELEASE	RML



ATTACHMENT METHOD(S)



SEND PICTURES AND IF NEEDED, ADD ANY ADDITIONAL FEATURES OR SKETCH THE VIEWS ON A SECOND PAGE.

TOLERANCES - UNLESS NOTED DECIMAL ± FRACTION ± ANGLE ±	TITLE: GAMBREL FRAME DETAIL SHEET			SIZE C
	DRFT: RML	DATE 10/4/2016	SCALE	SHEET 1
	ENGR: CWG	DATE 10/10/2016		PART NO: F-142