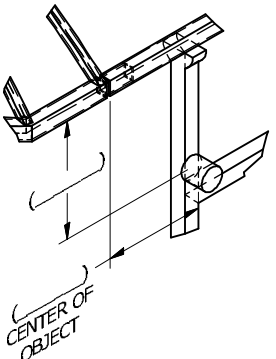
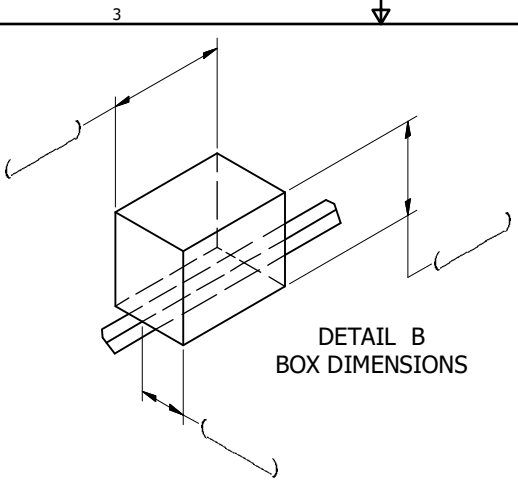


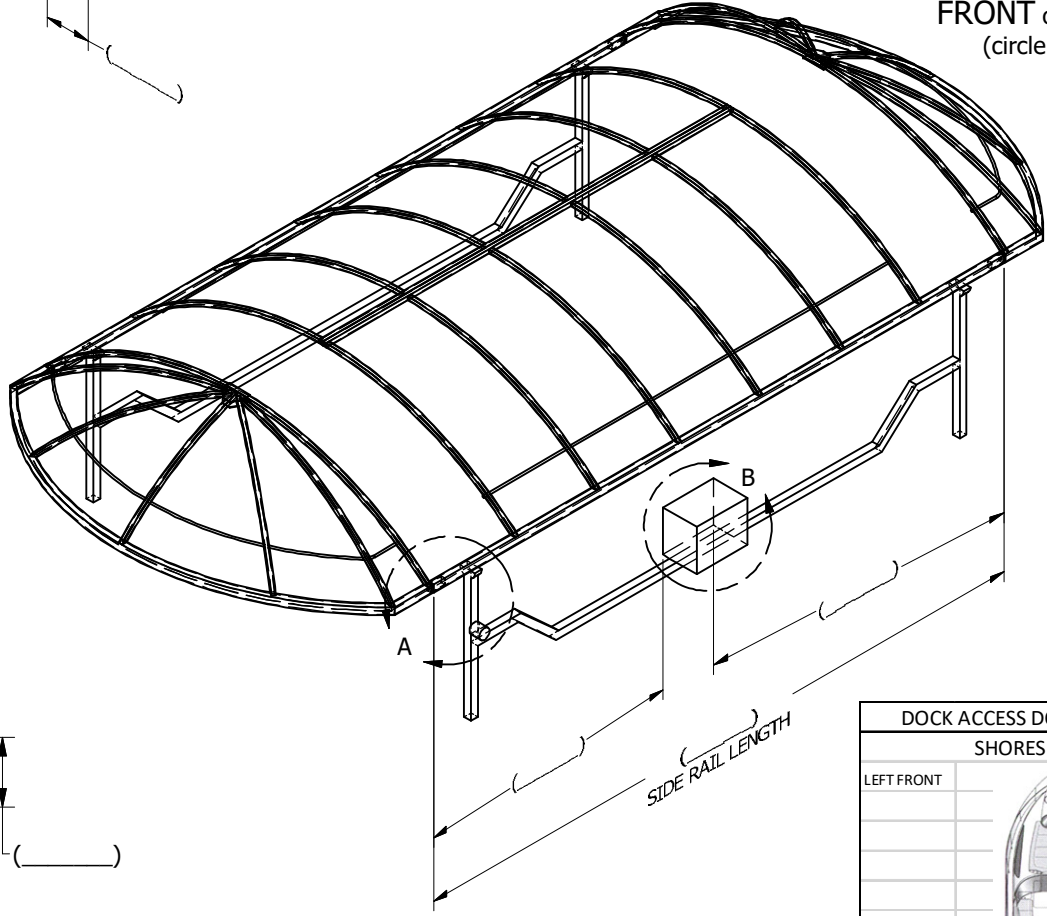
REVISIONS				
REV	ECN	DATE	DESCRIPTION	ISSUER
2	EC-00	5/23/2018		RML



DETAIL A
OTHER PROTRUSION
LOCATION

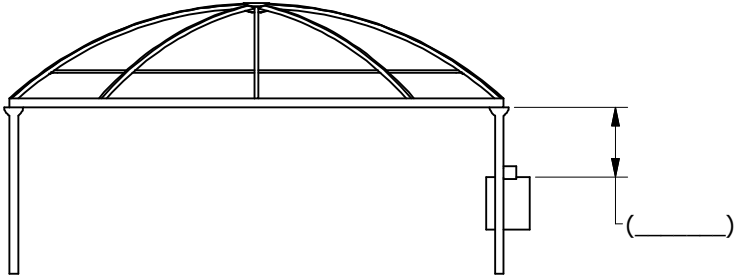


DETAIL B
BOX DIMENSIONS



FRONT or BACK
(circle one)

BRAND _____
 LENGTH _____ FEET
 WIDTH _____ INCHES



SEND PICTURES AND IF NEEDED, ADD ANY ADDITIONAL
 FEATURES OR SKETCH THE VIEWS ON A SECOND PAGE.
 (MAY USE A SECOND OR THIRD FRAME DETAIL SHEET
 FOR ADDITIONAL FEATURES)

FILL DIMENSIONS IN: (_____)

DOCK ACCESS DOOR PLACEMENT			
SHORESIDE VIEW			
LEFT FRONT		RIGHT FRONT	
LEFT REAR		RIGHT REAR	
LAKE VIEW			
MEASUREMENT FROM DESIGNATED CORNER			

TOLERANCES - UNLESS NOTED DECIMAL ± FRACTION ± ANGLE ±		TITLE: FULL ROUND END CURTAIN FRAME DETAIL		SIZE C
DRFT: robert.lambert	DATE 5/23/2018	SCALE	SHEET 1/1	PART NO: F-163
ENGR:	DATE			