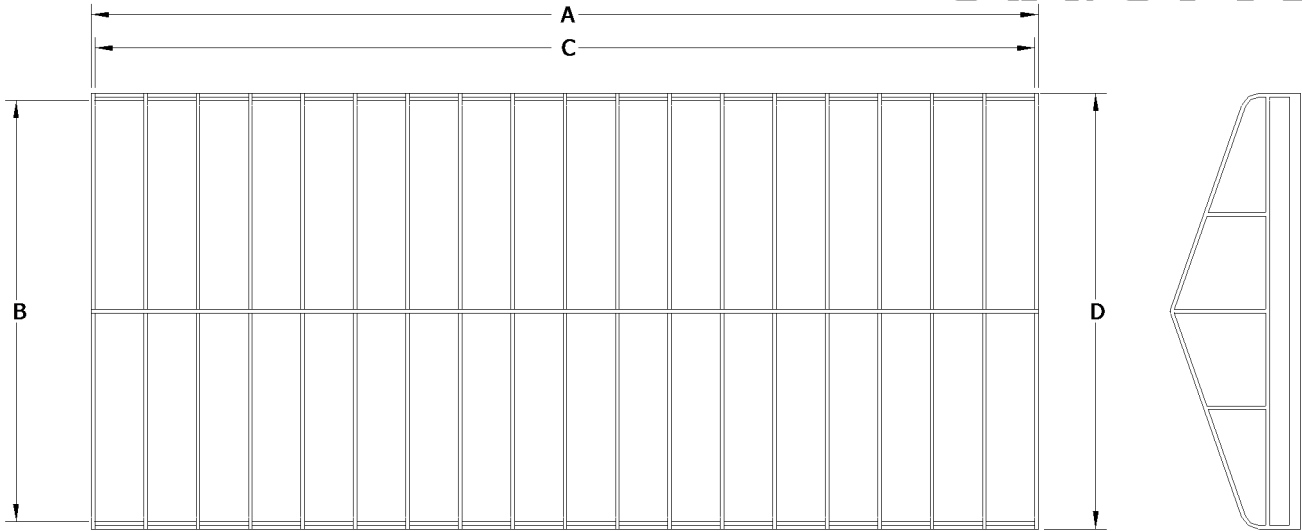


Attn: \_\_\_\_\_

**Feighner® Frame  
Specification Sheet**



**\*ALL MEASUREMENTS (±1")**

PART NO.	SIZE	OVERALL LENGTH "A"	INSIDE WIDTH "B"	SIDE RAIL LENGTH "C"	OUTSIDE WIDTH "D"
FN2400120	24' X 120"	24'	124"	25' 10"	126"
FN2600120	26' X 120"	26'	124"	28' 10"	126"
FN2800120	28' X 120"	28'	124"	28' 10"	126"
FN3000120	30' X 120"	28'	124"	28' 10"	126"
FN3200120	32' X 120"	28'	124"	28' 10"	126"

**ATTACHMENT**

Continuous bungee is strung through d-rings and hooked to aluminum flat bar via s-hooks.

STANDARD VALANCE: 12" VALANCE

**\*\*If dimensions don't match above, fill out detail sheet on page 2\*\***

**OUTSIDE DIMENSIONS**

- A \_\_\_\_\_ OVERALL LENGTH OF FRAME
- B \_\_\_\_\_ INSIDE WIDTH OF FRAME
- C \_\_\_\_\_ LENGTH OF SIDE RAILS (W/O ENDS)
- D \_\_\_\_\_ OUTSIDE WIDTH OF FRAME

**CONTACT INFORMATION**

- Name \_\_\_\_\_
- Address \_\_\_\_\_
- City \_\_\_\_\_ State \_\_\_\_\_ Zip \_\_\_\_\_
- Phone \_\_\_\_\_ Fax \_\_\_\_\_
- Boat Lift Brand \_\_\_\_\_

**NOTES**

---

---

---

---

---

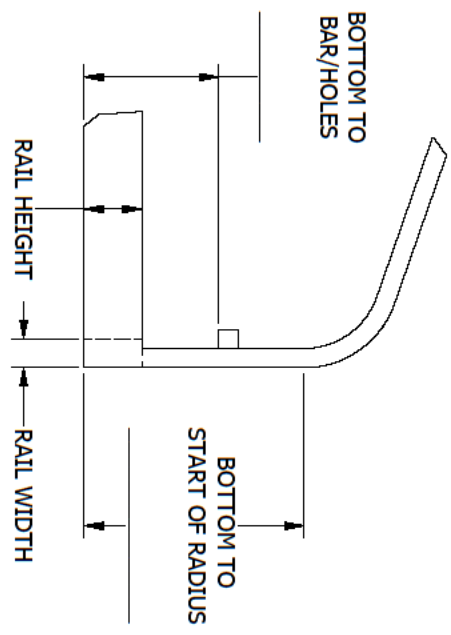
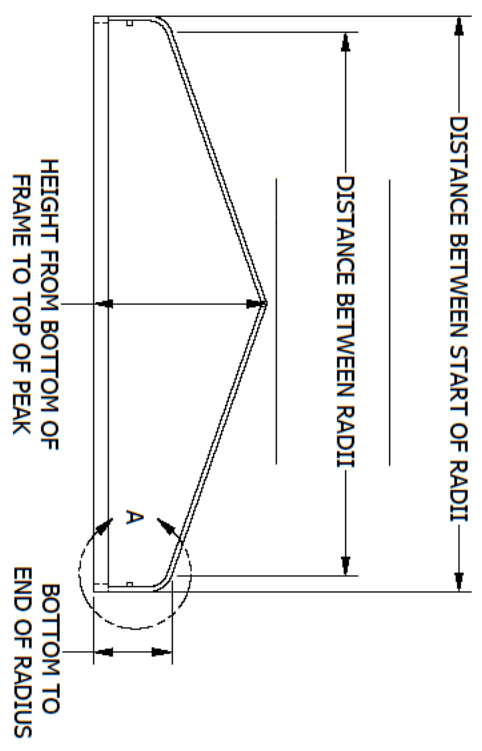
---

---

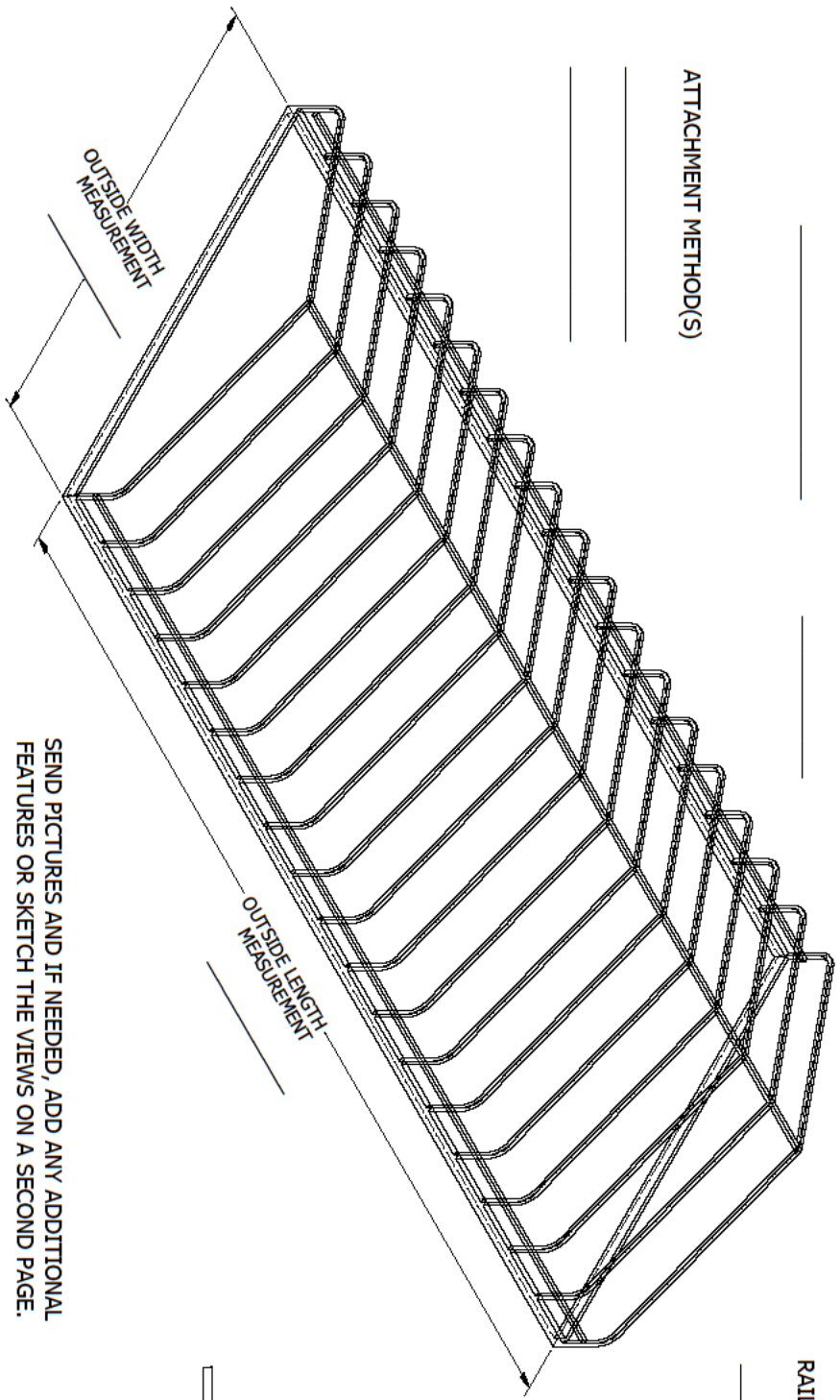
---

REV	ECN	DATE	DESCRIPTION	ISSUER
A	EC-00469	10/4/2016	RELEASE	RML

REVISIONS



ATTACHMENT METHOD(S)



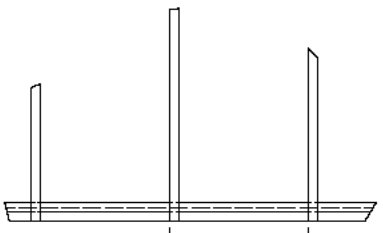
TOTAL NUMBER OF BOWS



SPACING OF BOWS

SEND PICTURES AND IF NEEDED, ADD ANY ADDITIONAL FEATURES OR SKETCH THE VIEWS ON A SECOND PAGE.

DETAIL B



DETAIL A

TOLERANCES - UNLESS NOTED

TITLE: **PEAKED FLUSHED END FRAME DETAIL SHEET**

SIZE **C**

DECIMAL F.	FRACTION F.	ANGLE F.

DWGT:	DATE	SCALE	SHEET	PART NO.:
RML	10/4/2016		1	F-133
ENGR:	DATE			
CMG	10/10/2016			