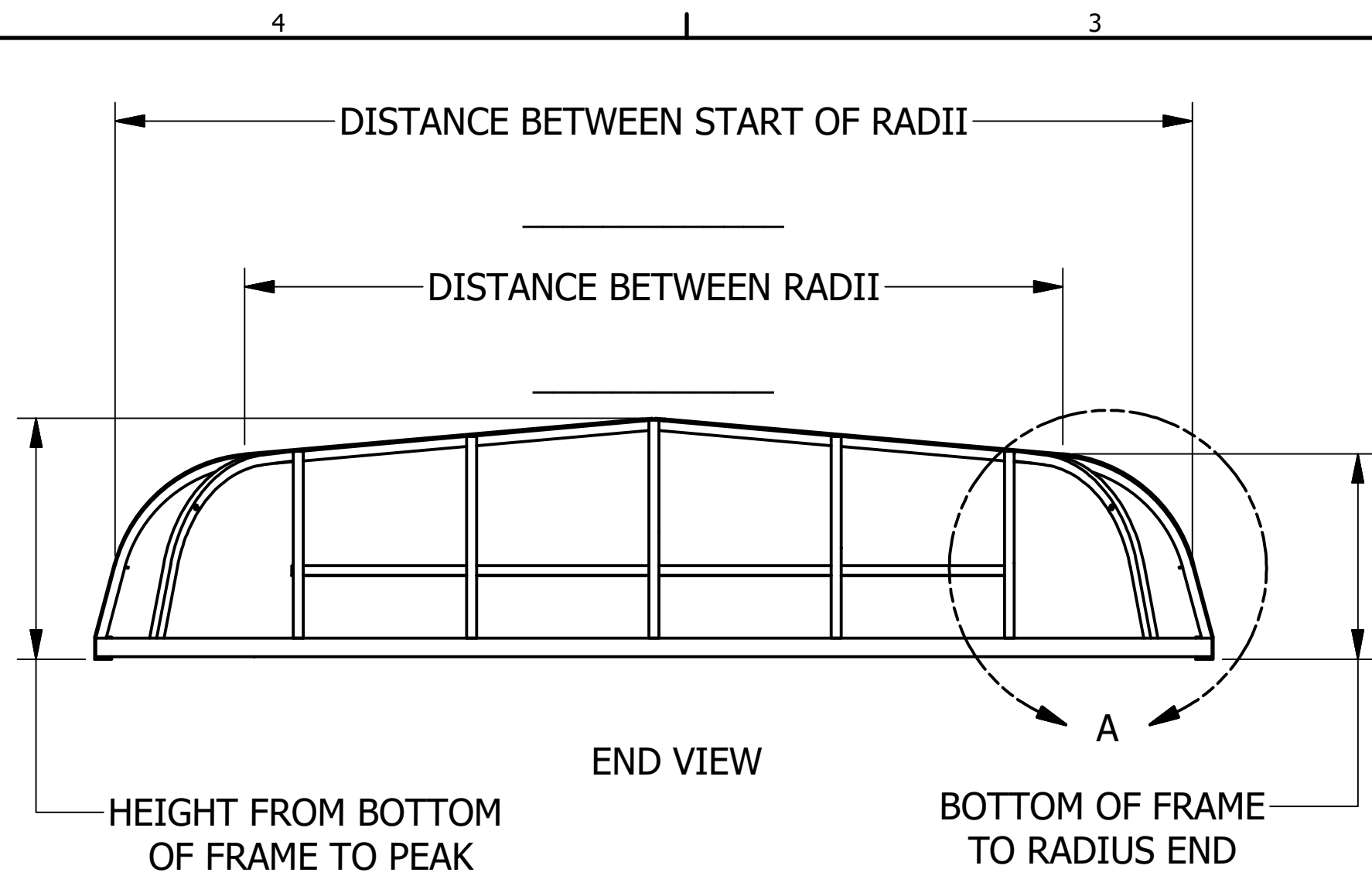
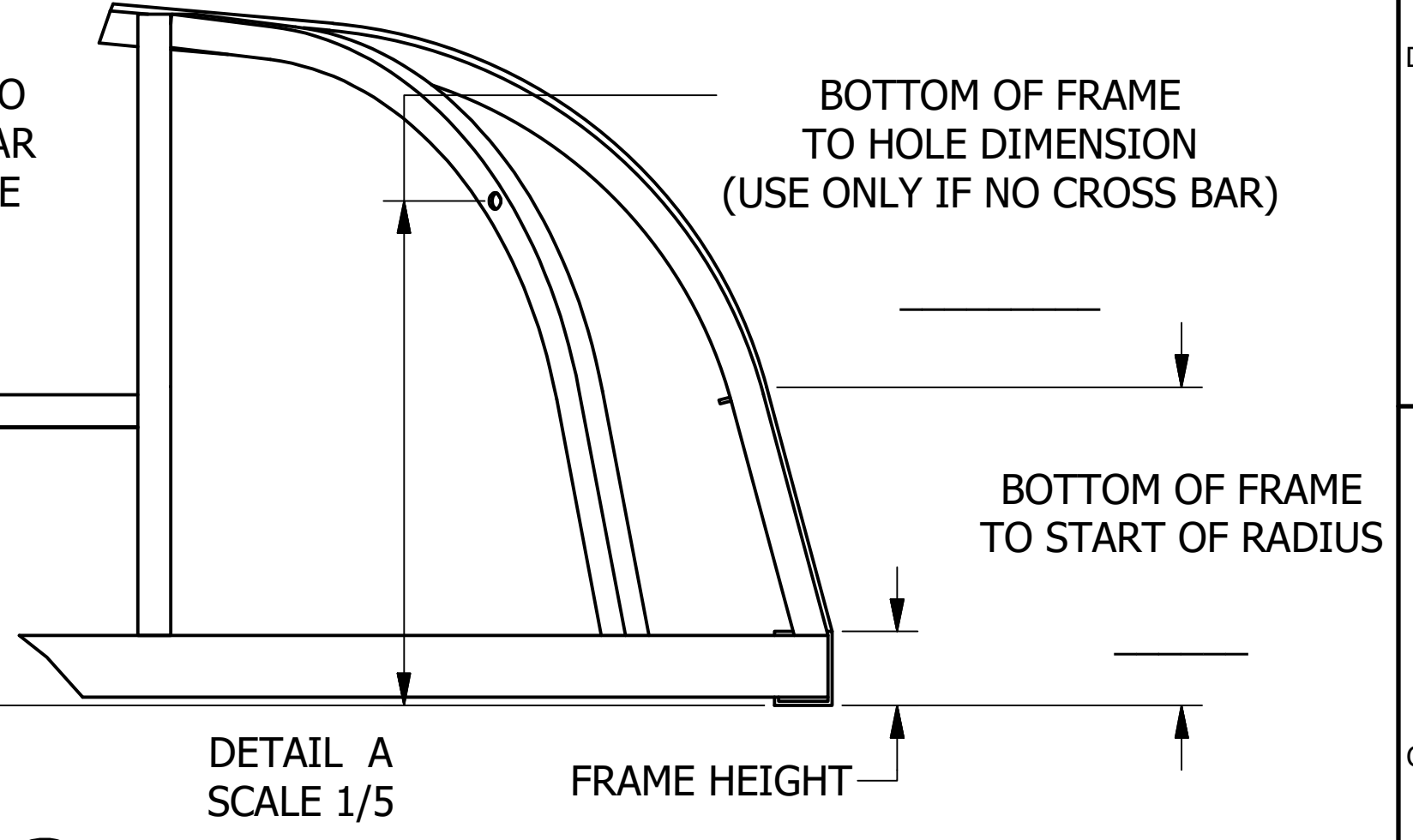


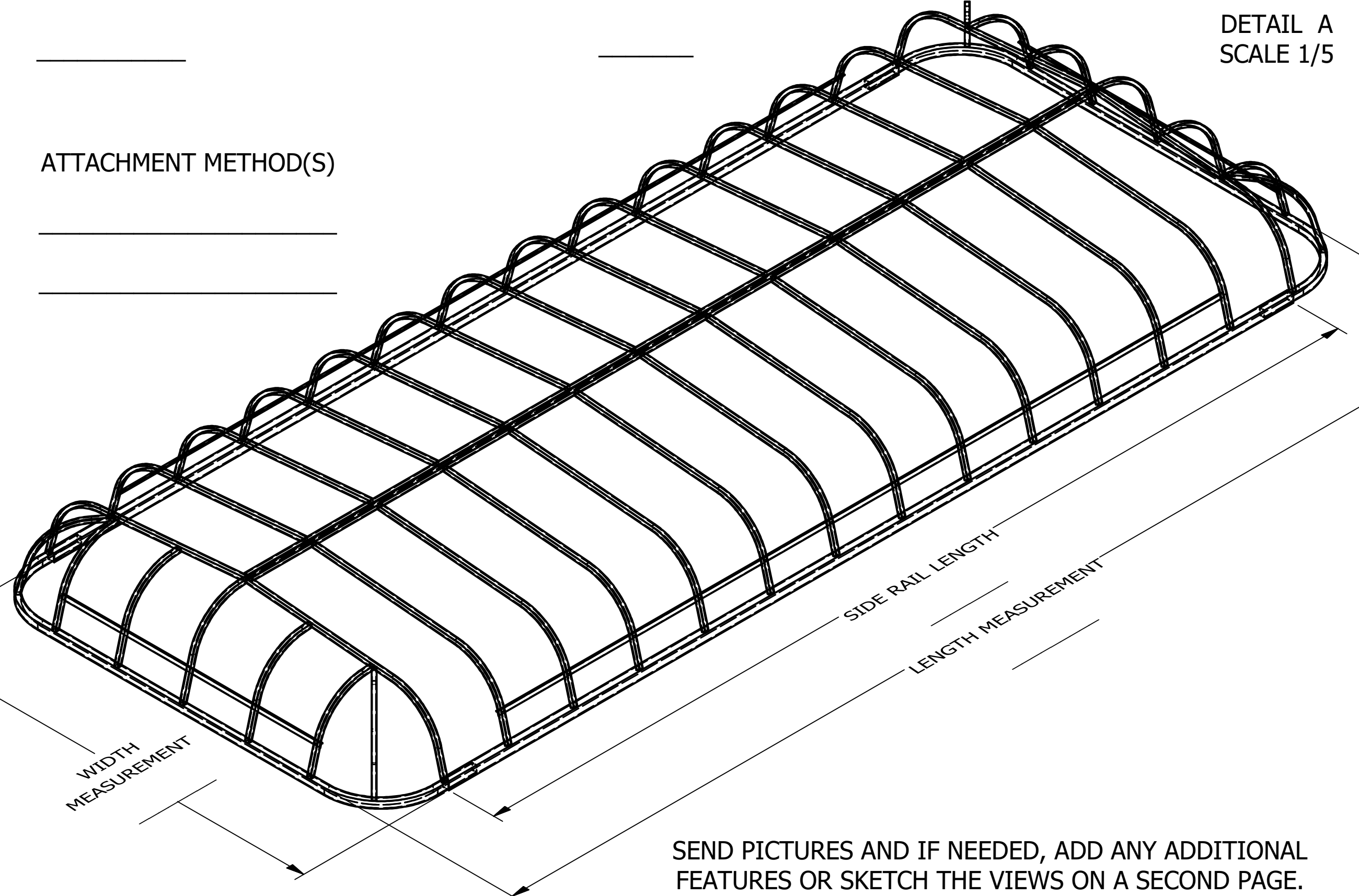
| REVISIONS | | | | |
|-----------|----------|-----------|--------------------|--------|
| REV | ECN | DATE | DESCRIPTION | ISSUER |
| A | EC-00469 | 10/4/2016 | RELEASE | RML |
| B | EC-00723 | 6/25/2018 | ADD HOLE DIMENISON | RML |



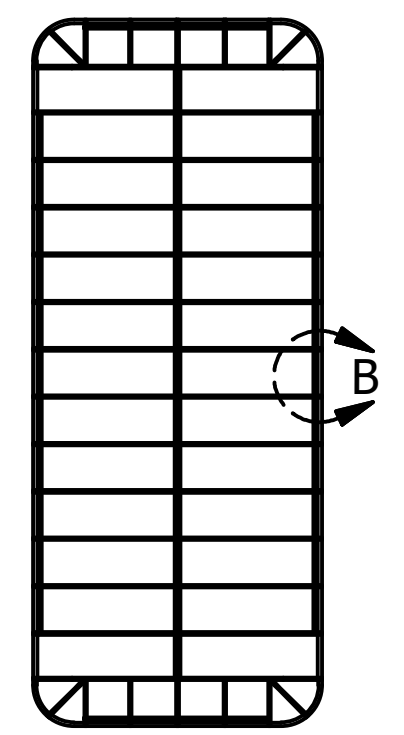
BOTTOM OF FRAME TO BOTTOM OF CROSS BAR (IF NO CROSS BAR USE HOLE DIMENISON)



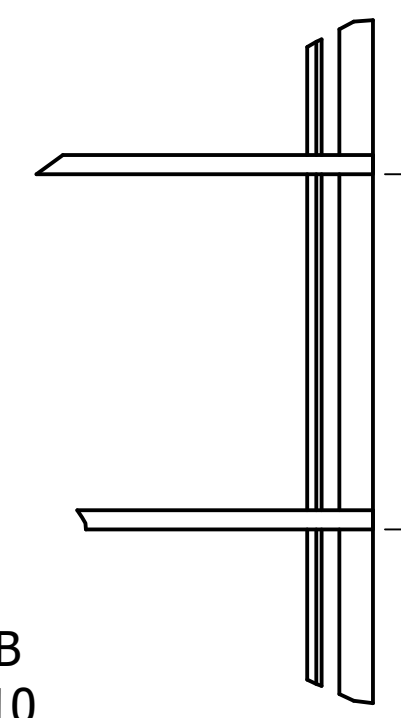
ATTACHMENT METHOD(S)



TOTAL NUMBER OF BOWS



SPACING OF BOWS



DETAIL B SCALE 1/10

SEND PICTURES AND IF NEEDED, ADD ANY ADDITIONAL FEATURES OR SKETCH THE VIEWS ON A SECOND PAGE.

| | |
|---------------------------|--|
| TOLERANCES - UNLESS NOTED | |
| DECIMAL ± | |
| FRACTION ± | |
| ANGLE ± | |

| | | | | |
|--|---------------------------|-------|-------------------|--------------------------|
| TITLE: ROUND CORNER FRAME DETAIL SHEET | | | | SIZE C |
| DRFT: RML | DATE 4/2/2014 | SCALE | SHEET 1 | PART NO: F-134 |
| ENGR: CWG | DATE 10/10/2016 | | 1 | |