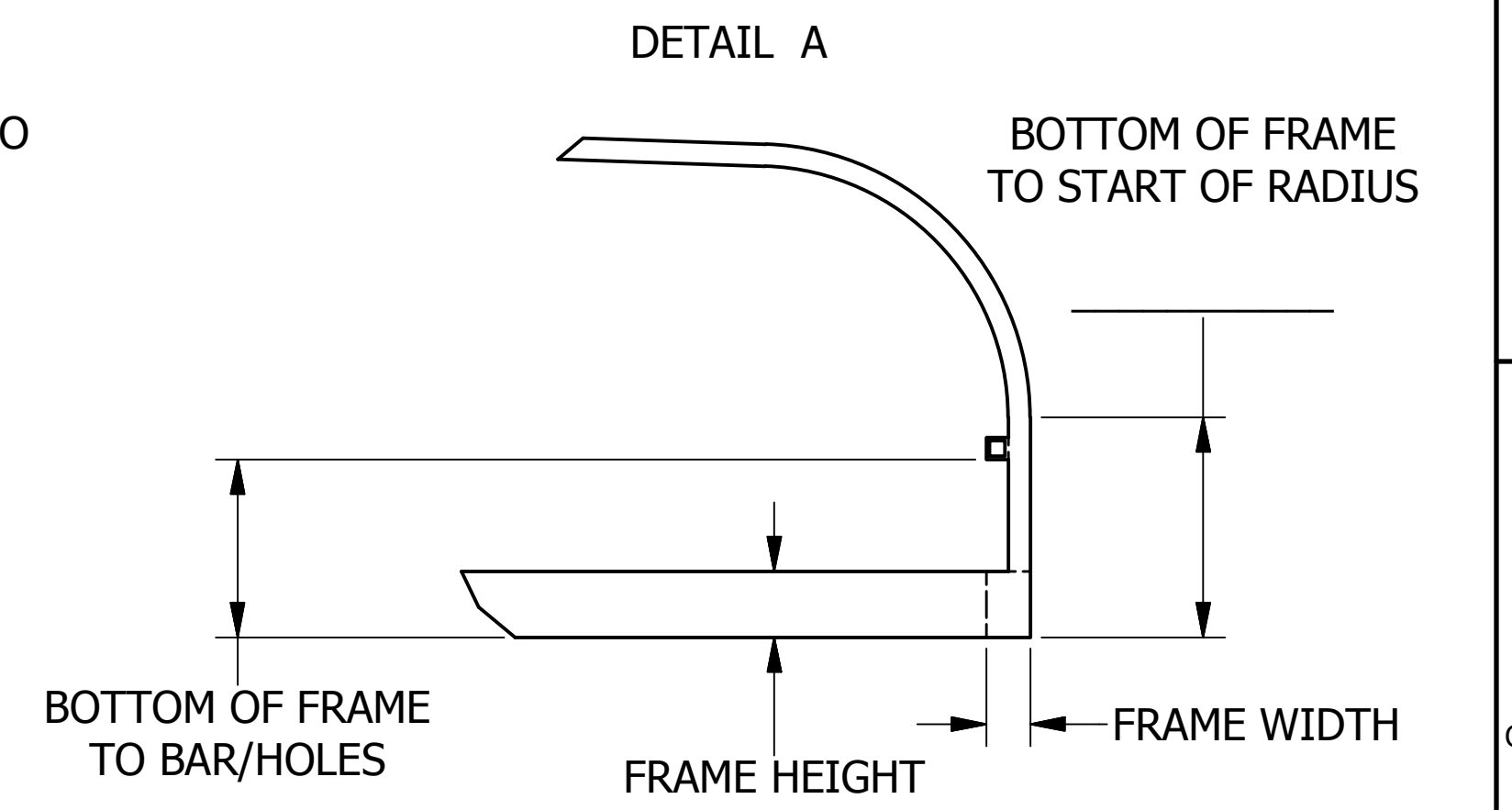
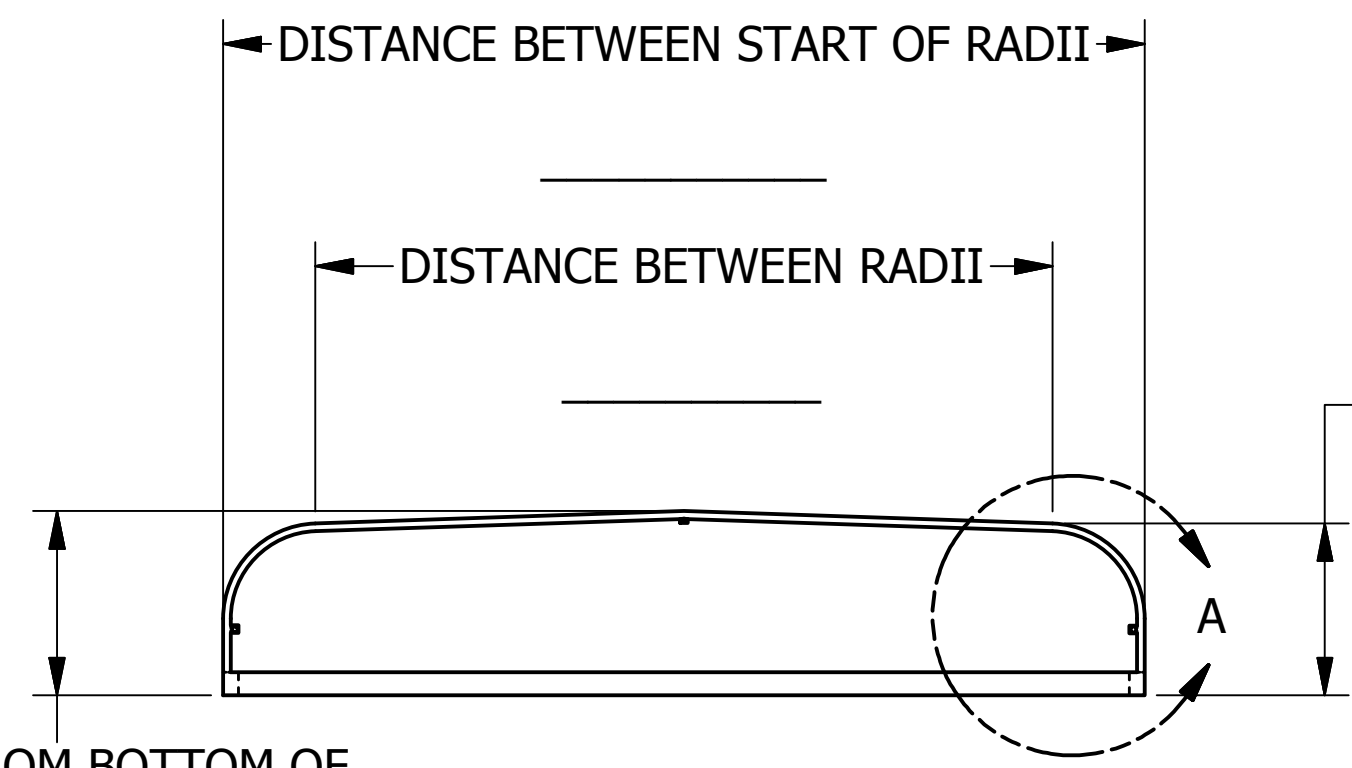
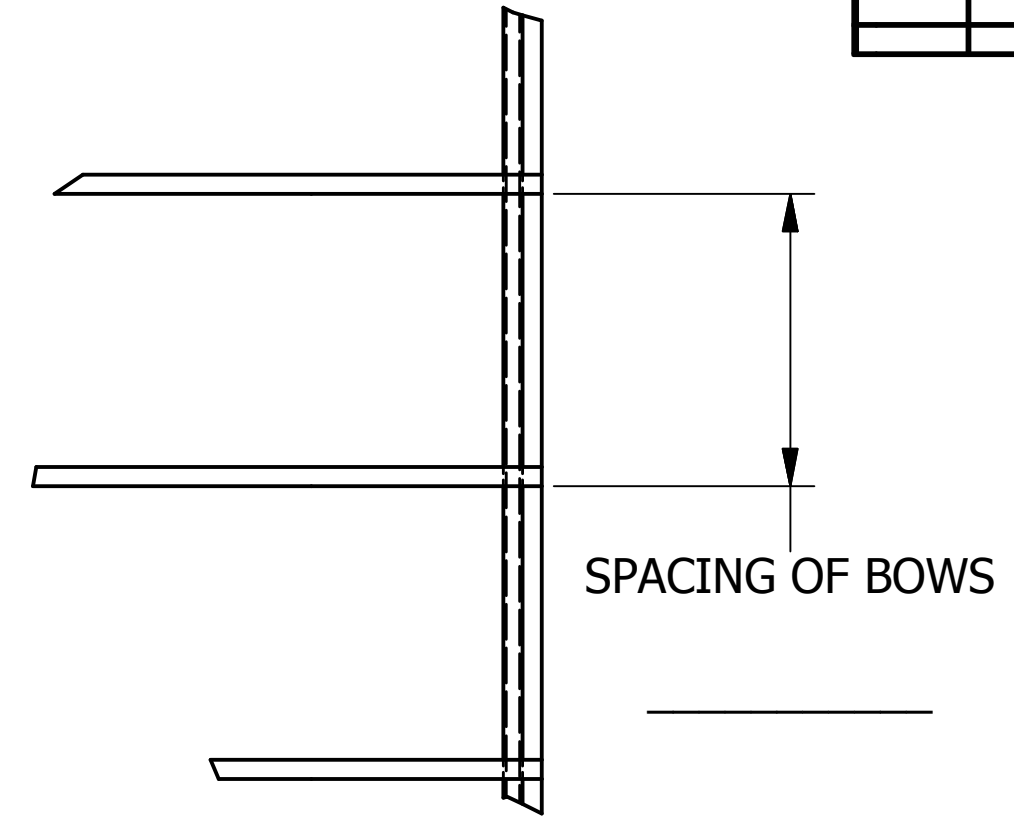
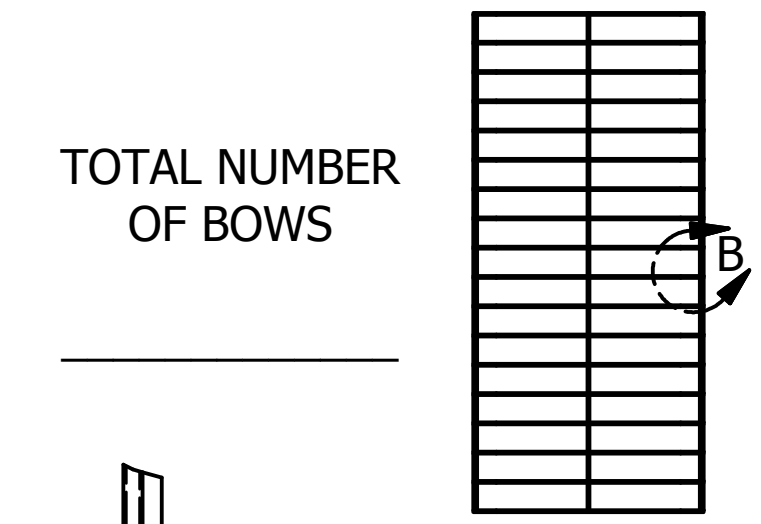
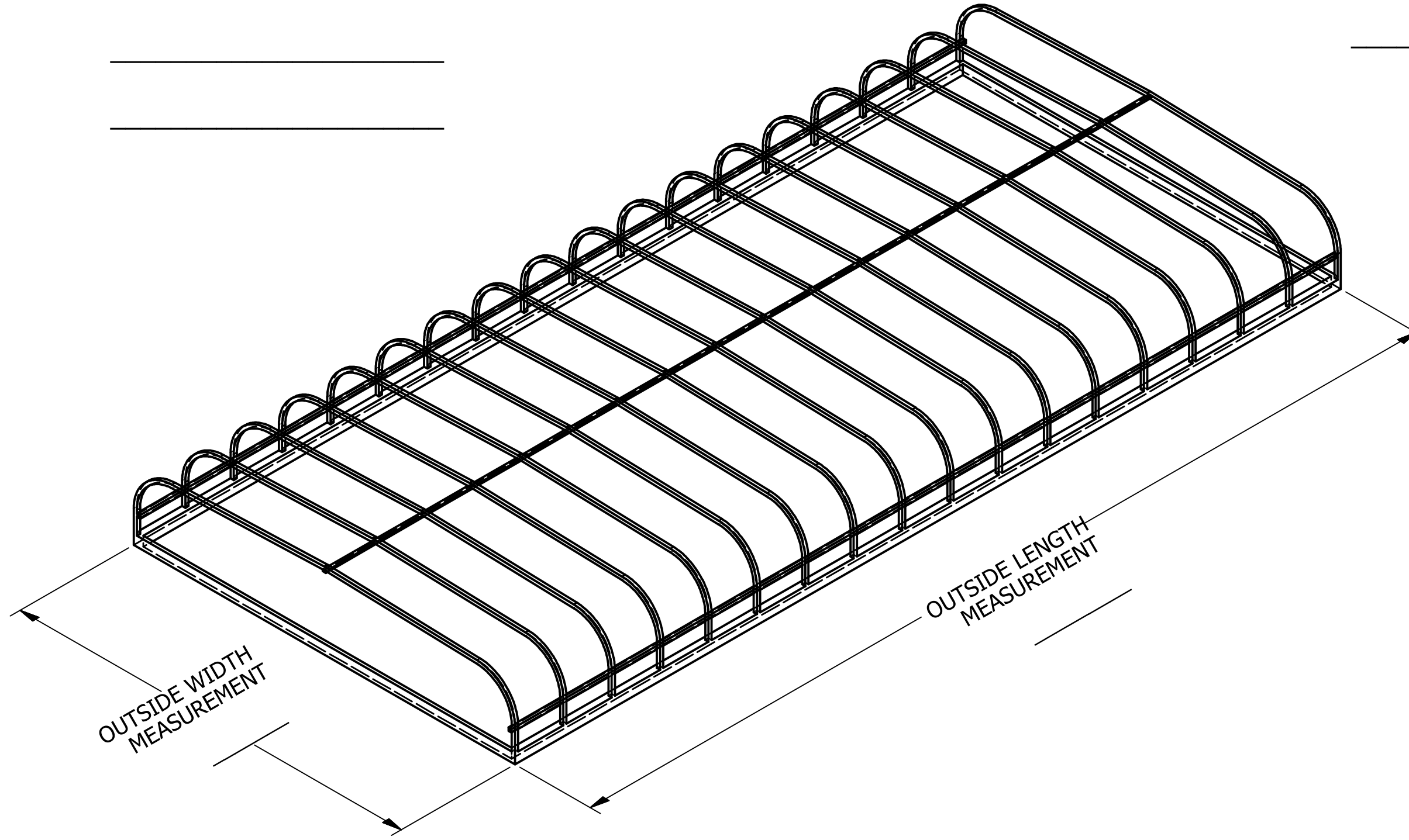


REVISIONS				
REV	ECN	DATE	DESCRIPTION	ISSUER
A	EC-00469	10/4/2016	RELEASE	RML



ATTACHMENT METHOD(S)



SEND PICTURES AND IF NEEDED, ADD ANY ADDITIONAL FEATURES OR SKETCH THE VIEWS ON A SECOND PAGE.

TOLERANCES - UNLESS NOTED DECIMAL ± FRACTION ± ANGLE ±	TITLE: <b>FLAT FRONT FRAME DETAIL SHEET</b>			SIZE <b>C</b>
	DRFT: <b>TJS</b>	DATE <b>4/10/2014</b>	SCALE	SHEET 1 / 1
	ENGR: <b>CWG</b>	DATE <b>10/10/2016</b>		PART NO: <b>F-130</b>