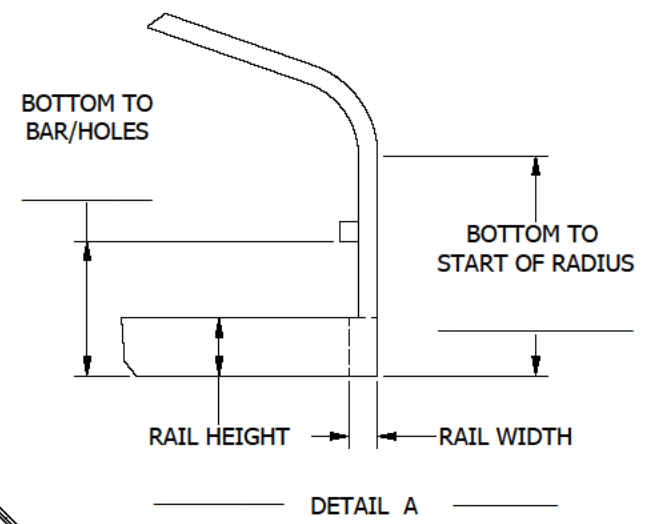
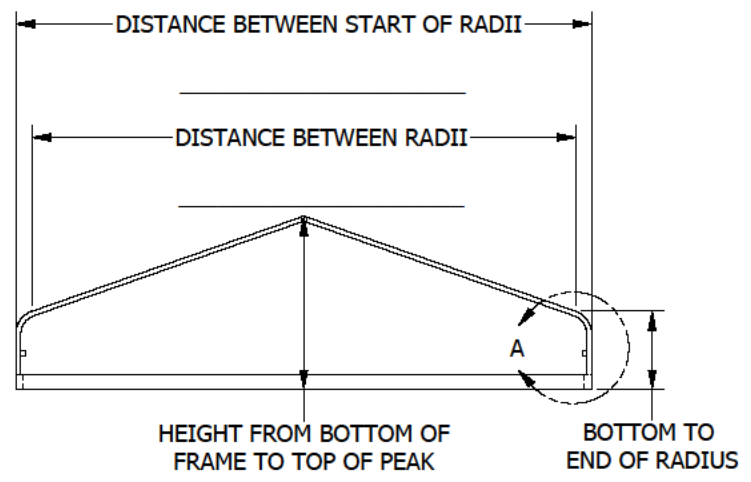
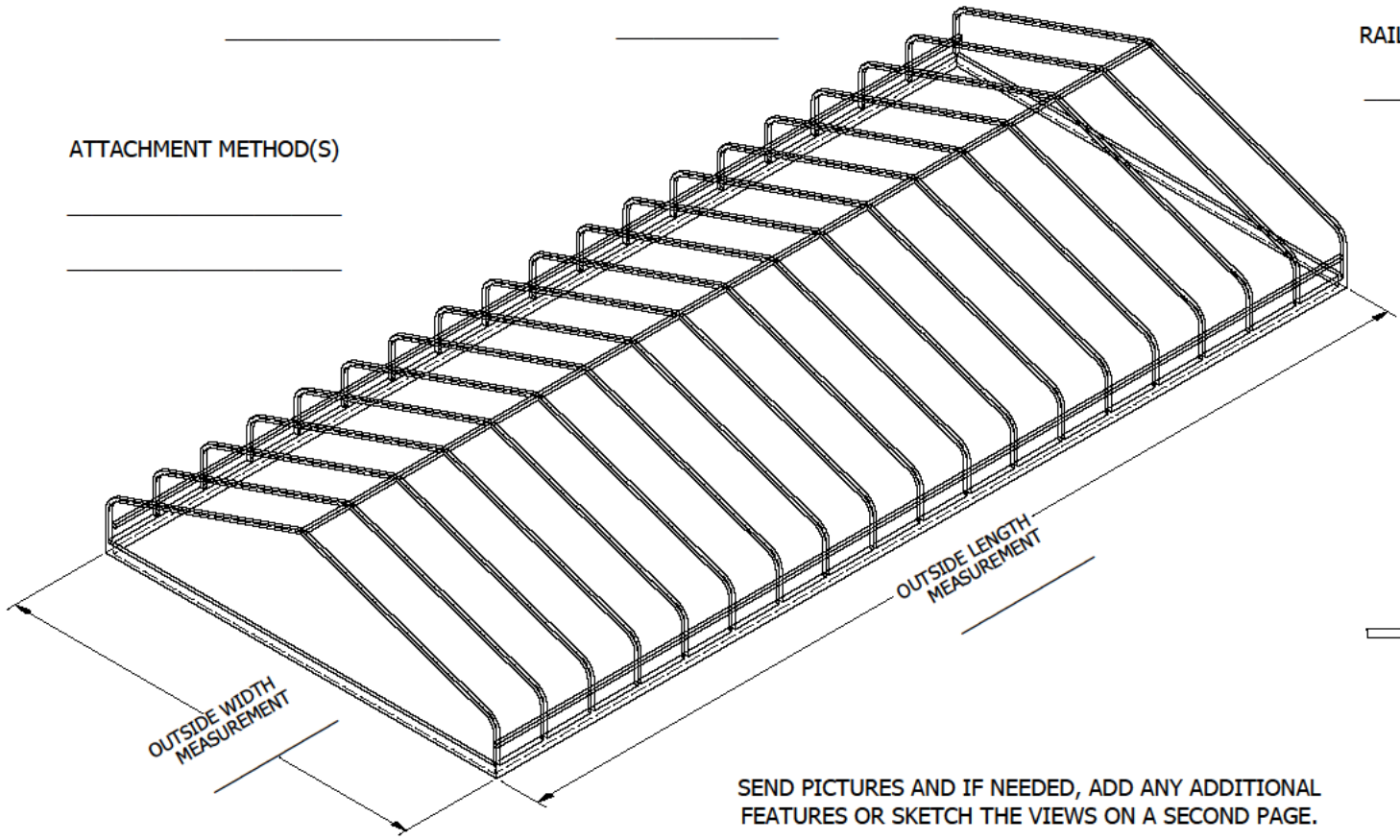
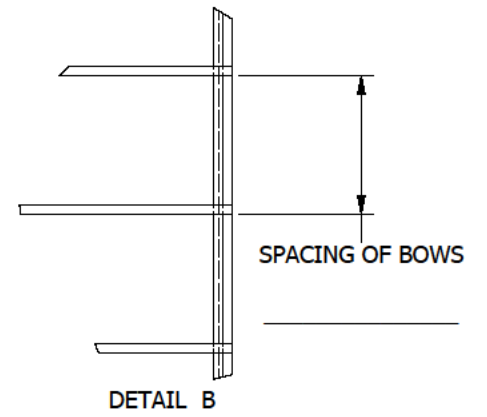
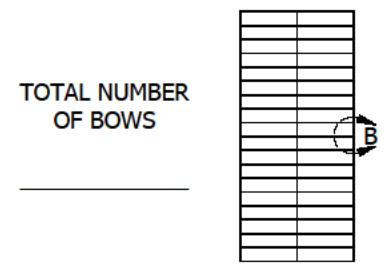


REVISIONS				
REV	ECN	DATE	DESCRIPTION	ISSUER
A	EC-00469	10/4/2016	RELEASE	RML



ATTACHMENT METHOD(S)



SEND PICTURES AND IF NEEDED, ADD ANY ADDITIONAL FEATURES OR SKETCH THE VIEWS ON A SECOND PAGE.

TOLERANCES - UNLESS NOTED		TITLE:			SIZE
DECIMAL ±		PEAKED FLUSHED END FRAME DETAIL SHEET			C
FRACTION ±		DRFT:	DATE	SCALE	SHEET
ANGLE ±		RML	10/4/2016		1
		ENGR:	DATE		1
		CWG	10/10/2016		
					PART NO:
					F-133