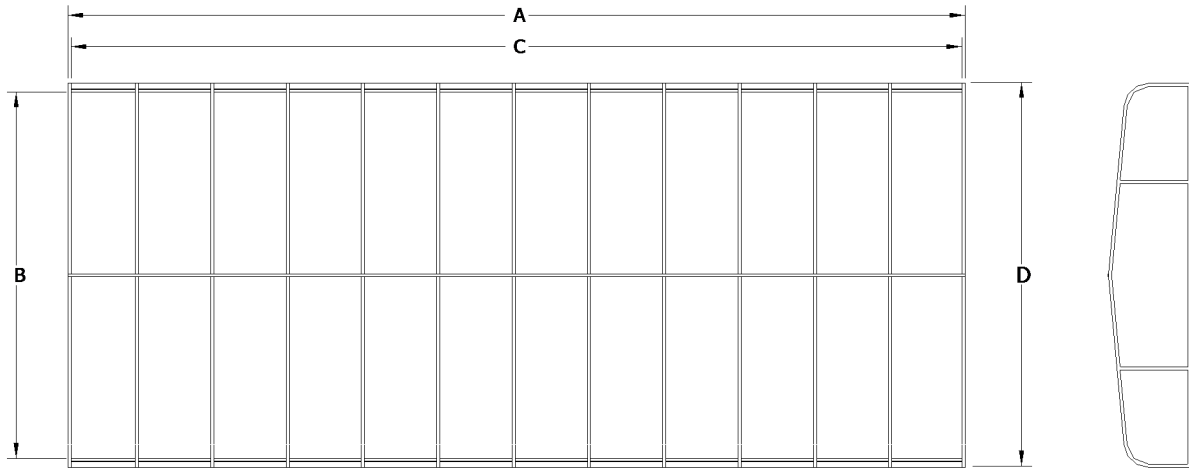


Attn: \_\_\_\_\_

**Daka® Frame Specification Sheet**



**\*ALL MEASUREMENTS (±1")**

PART NO.	SIZE	OVERALL LENGTH "A"	INSIDE WIDTH "B"	SIDE RAIL LENGTH "C"	OUTSIDE WIDTH "D"
DK2000084	20' X 84"	20'	84"	19' 10"	86"
DK2000096	20' X 96"	20'	96"	19' 10"	98"
DK2200096	22' X 96"	22'	96"	21' 10"	98"
DK2400096	24' X 96"	24'	96"	23' 10"	98"
DK2600096	26' X 96"	26'	96"	25' 10"	98"
DK2800096	28' X 96"	28'	96"	27' 10"	98"
DK3000096	30' X 96"	30'	96"	29' 10"	98"
DK2200108	22' X 108"	22'	108"	21' 10"	110"
DK2000115	20' X 115"	20'	115"	19' 10"	117"
DK2200115	22' X 115"	22'	115"	21' 10"	117"
DK2400115	24' X 115"	24'	115"	23' 10"	117"
DK2600115	26' X 115"	26'	115"	25' 10"	117"
DK2800115	28' X 115"	28'	115"	27' 10"	117"
DK3000115	30' X 115"	30'	115"	29' 10"	117"
DK2400108	24' x 108"	24'	108"	23' 10"	110"
DK2600108	26' X 108"	26'	108"	25' 10"	110"
DK2800108	28' X 108"	28'	108"	27' 10"	110"

**ATTACHMENT**

STANDARD VALANCE: 12" VALANCE

**OUTSIDE DIMENSIONS**

- A \_\_\_\_\_ OVERALL LENGTH OF FRAME
- B \_\_\_\_\_ INSIDE WIDTH OF FRAME
- C \_\_\_\_\_ LENGTH OF SIDE RAILS (W/O ENDS)
- D \_\_\_\_\_ OUTSIDE WIDTH OF FRAME

**CONTACT INFORMATION**

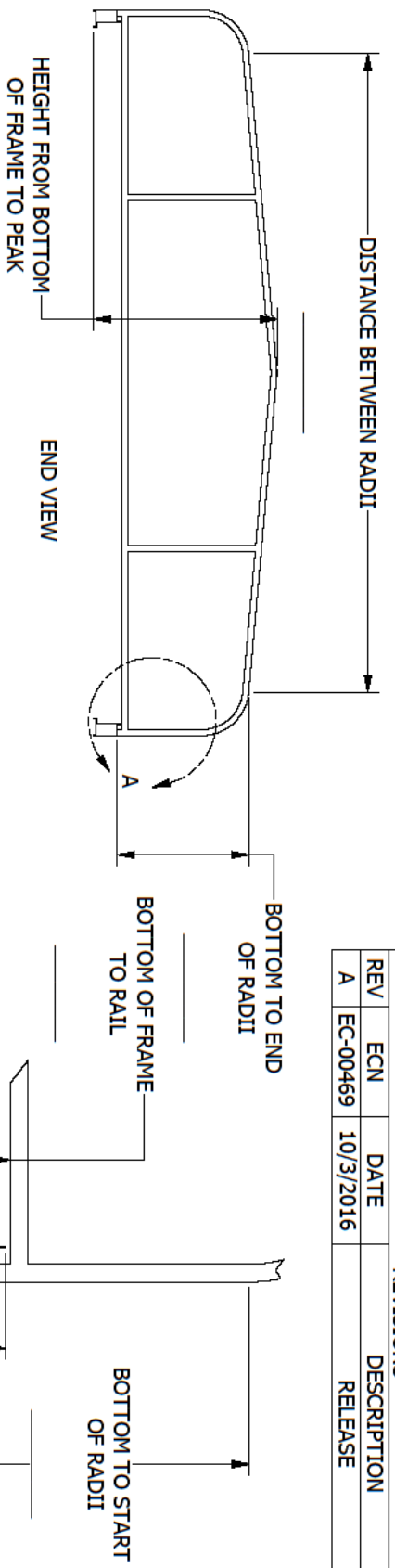
Name \_\_\_\_\_  
 Address \_\_\_\_\_  
 City \_\_\_\_\_ State \_\_\_\_\_ Zip \_\_\_\_\_  
 Phone \_\_\_\_\_ Fax \_\_\_\_\_  
 Boat Lift Brand \_\_\_\_\_

**\*\*If dimensions don't match above, fill out detail sheet on page 2\*\***

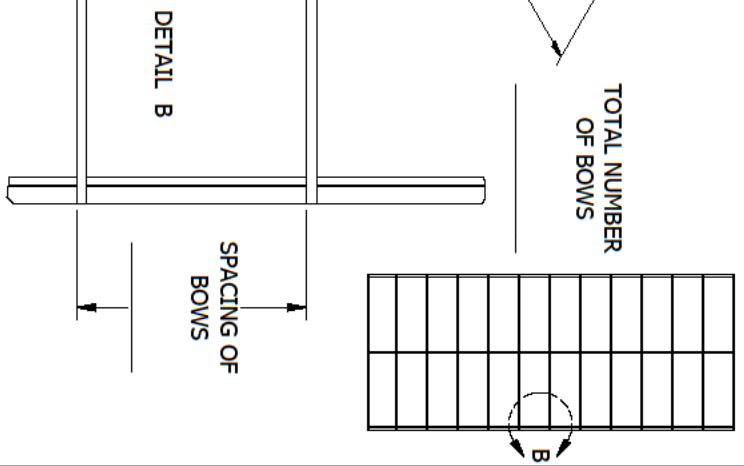
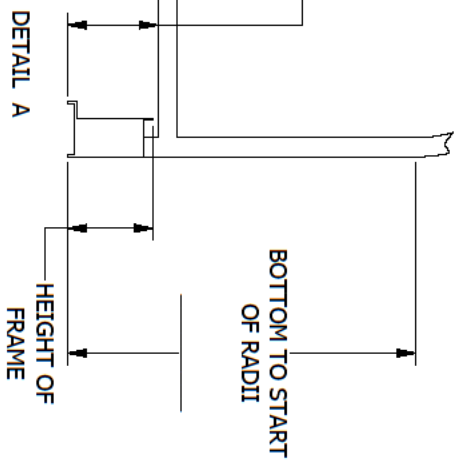
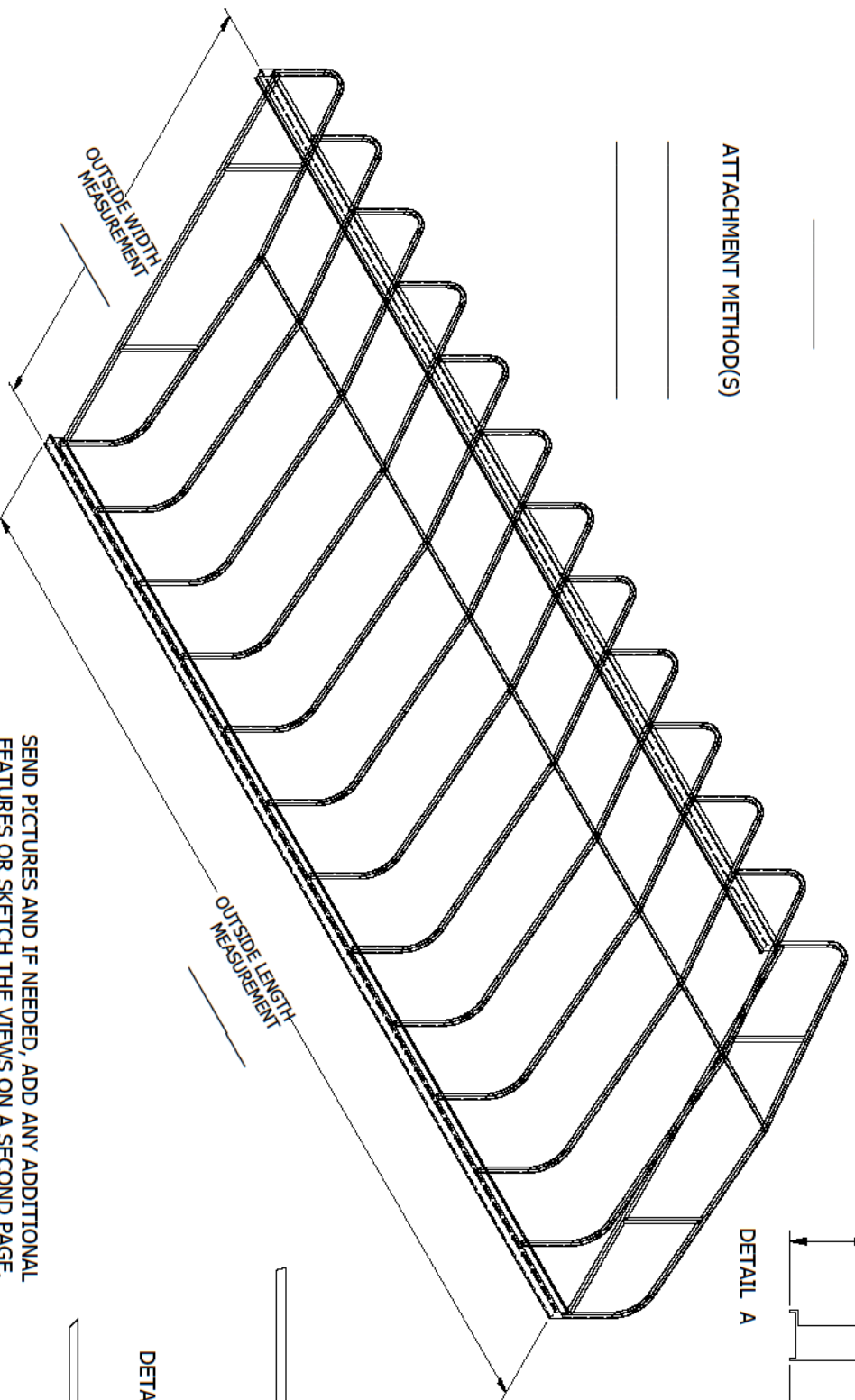
**NOTES**

\_\_\_\_\_  
 \_\_\_\_\_  
 \_\_\_\_\_

REVISIONS				ISSUER
REV	ECN	DATE	DESCRIPTION	RML
A	EC-00469	10/3/2016	RELEASE	RML



ATTACHMENT METHOD(S)



SEND PICTURES AND IF NEEDED, ADD ANY ADDITIONAL FEATURES OR SKETCH THE VIEWS ON A SECOND PAGE.

TOLERANCES - UNLESS NOTED

DECIMAL F

FRACTION F

ANGLE F

TITLE: **PEAKED RAISED END FRAME DETAIL SHEET**

DRAWN: RML DATE: 6/6/2008 SCALE: 1:1 SHEET: 1 OF 1 PART NO: F-141

ENGR: CMG DATE: 10/10/2016

SIZE: C