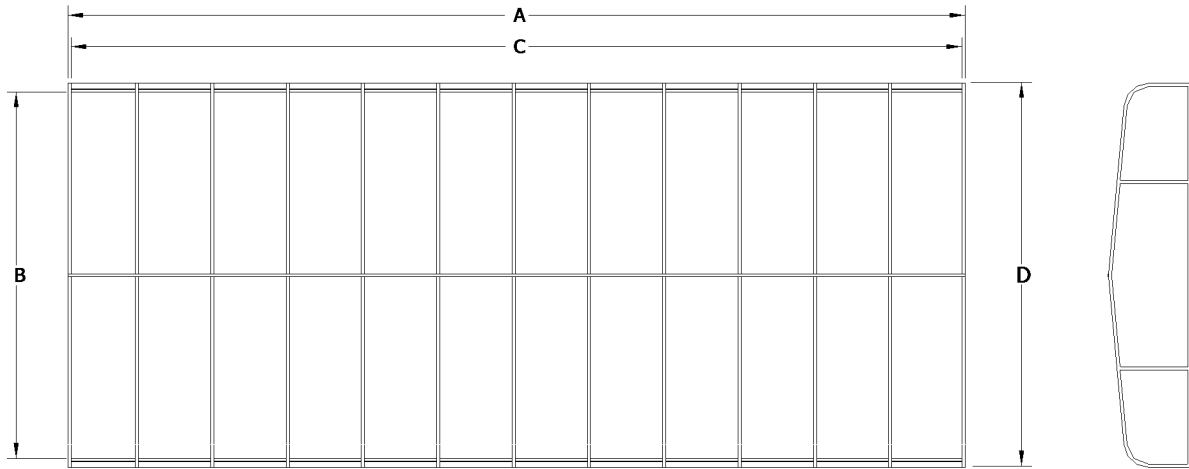


Attn: \_\_\_\_\_

**Custom Portable® Frame  
Specification Sheet**



**\*ALL MEASUREMENTS (±1")**

| PART NO.  | SIZE       | OVERALL LENGTH "A" | INSIDE WIDTH "B" | SIDE RAIL LENGTH "C" | OUTSIDE WIDTH "D" |
|-----------|------------|--------------------|------------------|----------------------|-------------------|
| CP2400120 | 24' X 120" | 24'                | 121"             | 23' 10"              | 125"              |
| CP2600120 | 26' X 120" | 26'                | 121"             | 25' 10"              | 125"              |
| CP2800120 | 28' X 120" | 28'                | 121"             | 27' 10"              | 125"              |
| CP2000108 | 20' X 108" | 20'                | 108"             | 19' 10"              | 112"              |
| CP2000114 | 20' X 114" | 20'                | 115"             | 19' 10"              | 119"              |
| CP2200114 | 22' X 114" | 22'                | 115"             | 21' 10"              | 119"              |
| CP2400114 | 24' X 114" | 24'                | 115"             | 23' 10"              | 119"              |
| CP2600114 | 26' X 114" | 26'                | 115"             | 25' 10"              | 119"              |
| CP2800114 | 28' X 114" | 28'                | 115"             | 27' 10"              | 119"              |
| CP3000114 | 30' X 114" | 30'                | 115"             | 29' 10"              | 119"              |

**ATTACHMENT**

Ball bungees wrap around each bow on the sides

Velcro straps wrap around the bottom of the end frame

STANDARD VALANCE: 12" VALANCE

**OUTSIDE DIMENSIONS**

A \_\_\_\_\_ OVERALL LENGTH OF FRAME

B \_\_\_\_\_ INSIDE WIDTH OF FRAME

C \_\_\_\_\_ LENGTH OF SIDE RAILS

(W/O ENDS)

D \_\_\_\_\_ OUTSIDE WIDTH OF FRAME

**\*\*If dimensions don't match above,  
fill out detail sheet on page 2\*\***

**CONTACT INFORMATION**

Name \_\_\_\_\_

Address \_\_\_\_\_

City \_\_\_\_\_ State \_\_\_\_\_ Zip \_\_\_\_\_

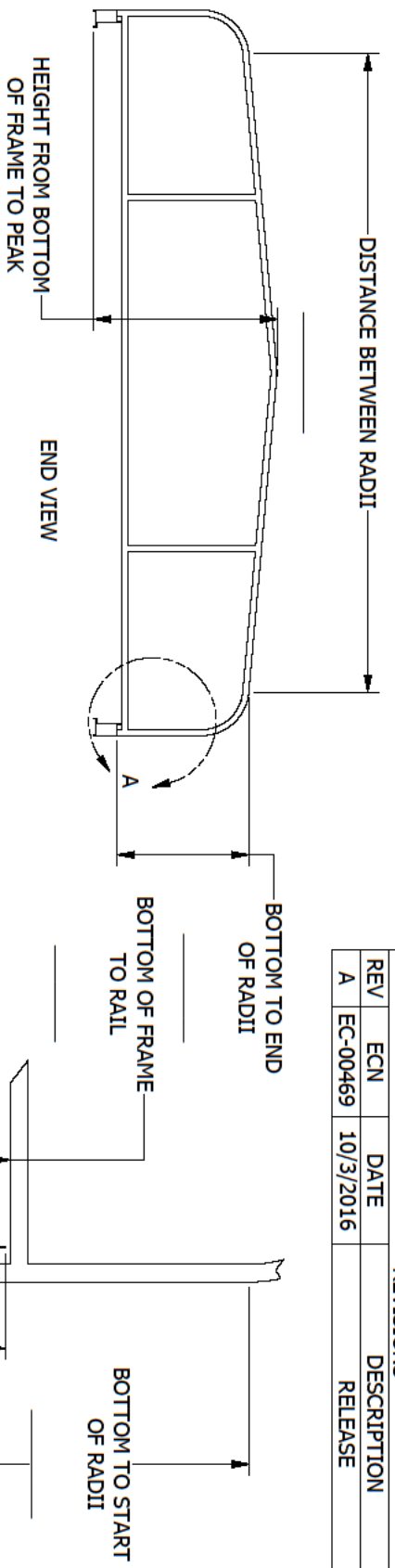
Phone \_\_\_\_\_ Fax \_\_\_\_\_

Boat Lift Brand \_\_\_\_\_

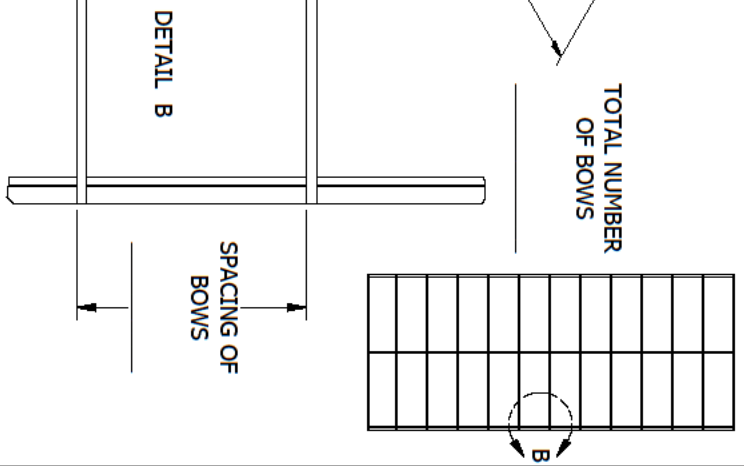
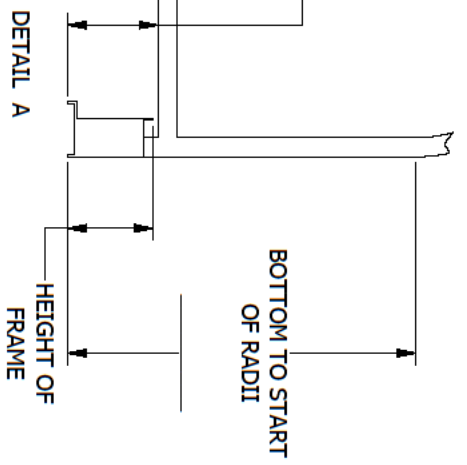
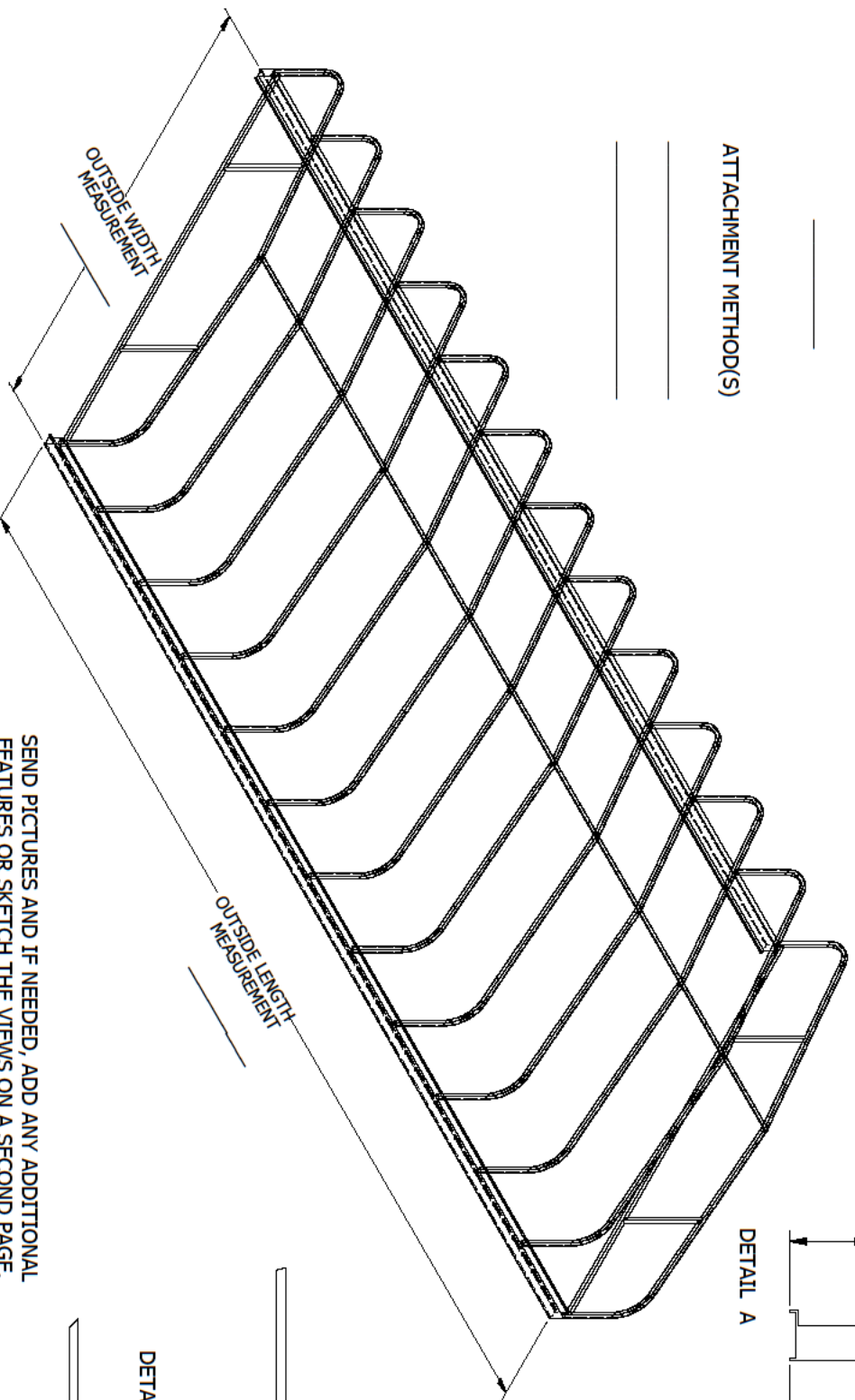
**NOTES**

\_\_\_\_\_  
\_\_\_\_\_  
\_\_\_\_\_

| REVISIONS |          |           |             | ISSUER |
|-----------|----------|-----------|-------------|--------|
| REV       | ECN      | DATE      | DESCRIPTION | RML    |
| A         | EC-00469 | 10/3/2016 | RELEASE     | RML    |



ATTACHMENT METHOD(S)



SEND PICTURES AND IF NEEDED, ADD ANY ADDITIONAL FEATURES OR SKETCH THE VIEWS ON A SECOND PAGE.

TOLERANCES - UNLESS NOTED

DECIMAL F

FRACTION F

ANGLE F

TITLE: **PEAKED RAISED END FRAME DETAIL SHEET**

DRAWN: RML DATE: 6/6/2008 SCALE: 1:1 SHEET: 1 OF 1 PART NO: F-141

ENGR: CMG DATE: 10/10/2016

SIZE: C