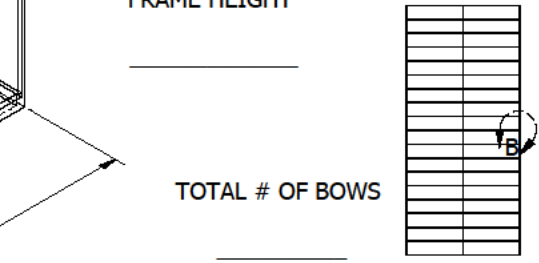
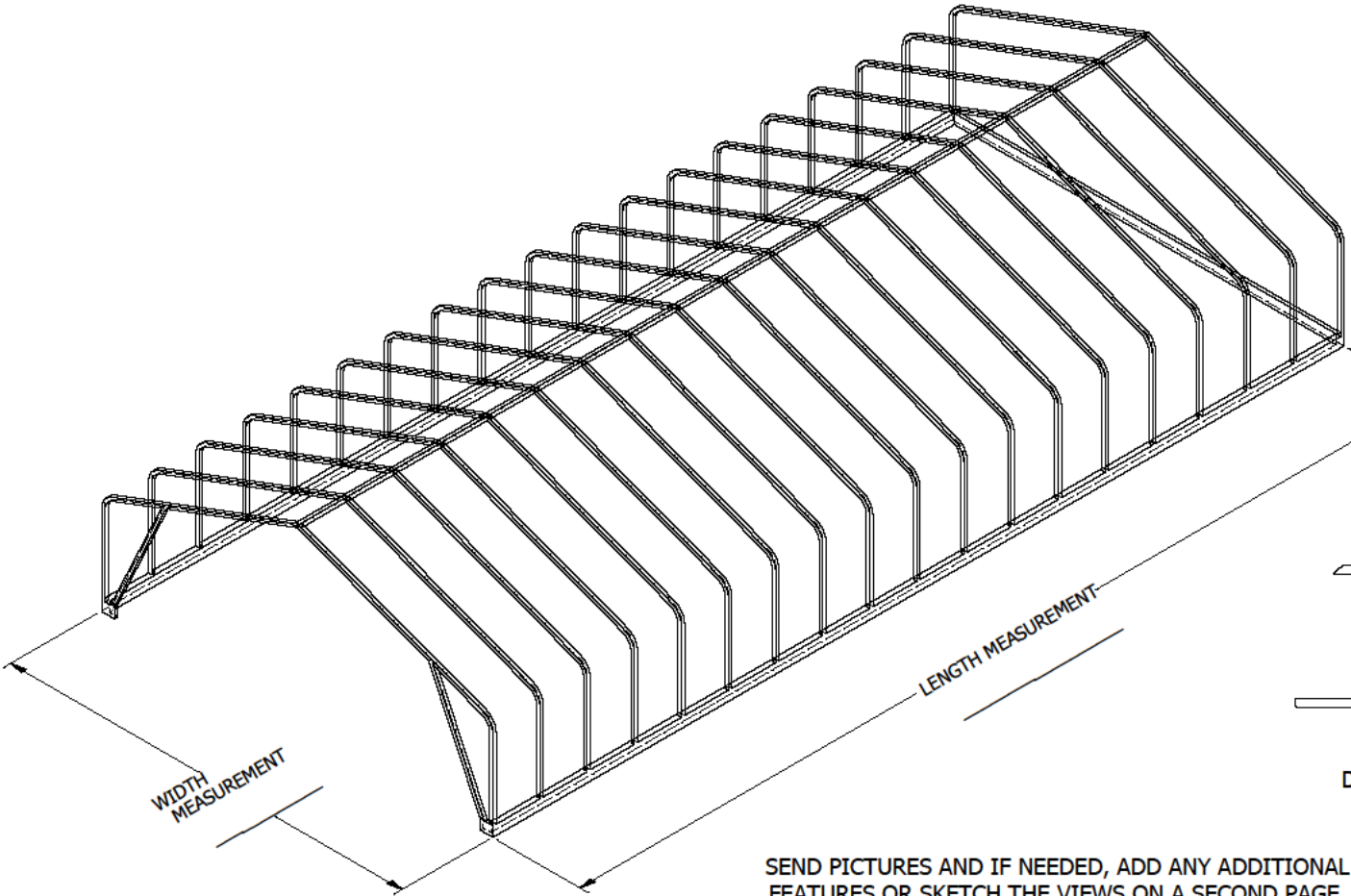
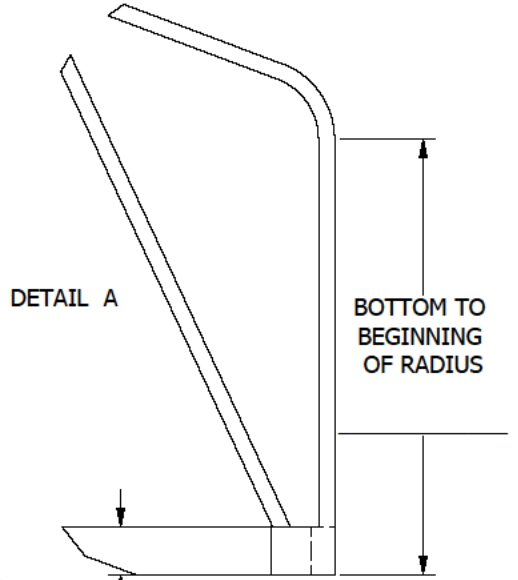
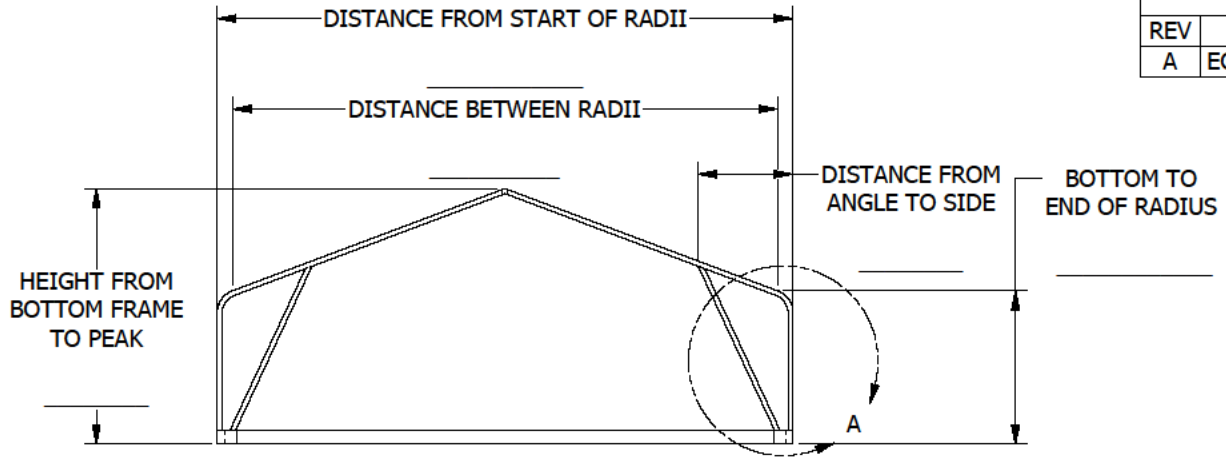


| REVISIONS | | | | |
|-----------|----------|-----------|-------------|--------|
| REV | ECN | DATE | DESCRIPTION | ISSUER |
| A | EC-00469 | 10/4/2016 | RELEASE | RML |



SEND PICTURES AND IF NEEDED, ADD ANY ADDITIONAL FEATURES OR SKETCH THE VIEWS ON A SECOND PAGE.

| TOLERANCES - UNLESS NOTED | |
|---------------------------|---|
| DECIMAL | ± |
| FRACTION | ± |
| ANGLE | ± |

| | | | |
|--|---------------------------|-------|--------------------------|
| TITLE: PEAKED TOWER FRAME DETAIL SHEET | | | SIZE C |
| DRFT: RML | DATE 11/20/2015 | SCALE | SHEET 1 |
| ENGR: CWG | DATE 10/10/2016 | | PART NO: F-139 |