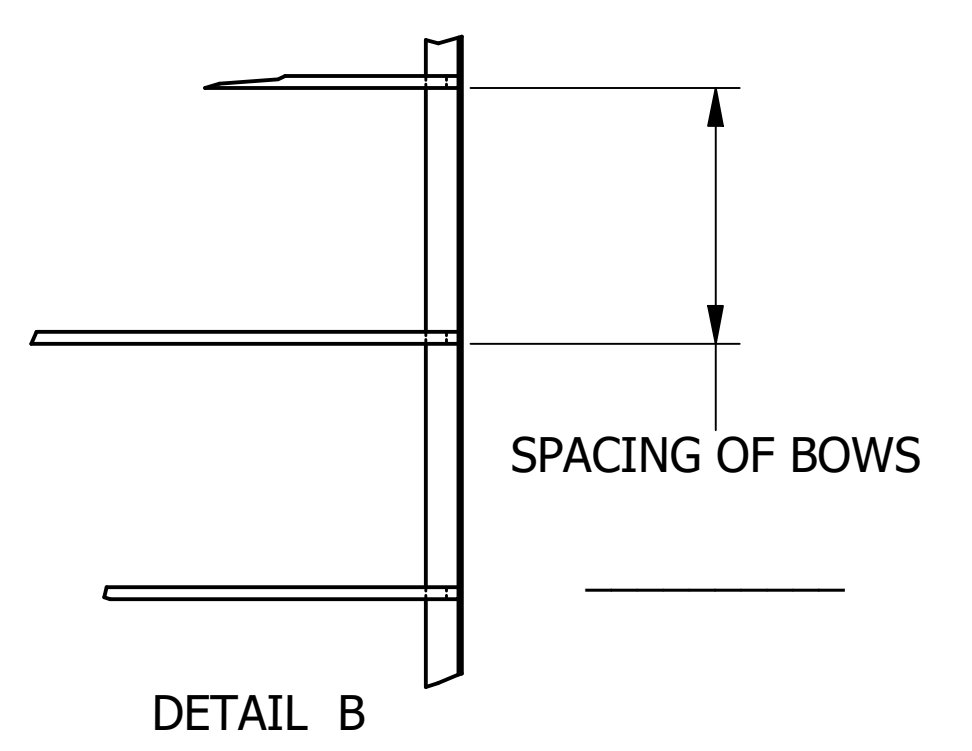
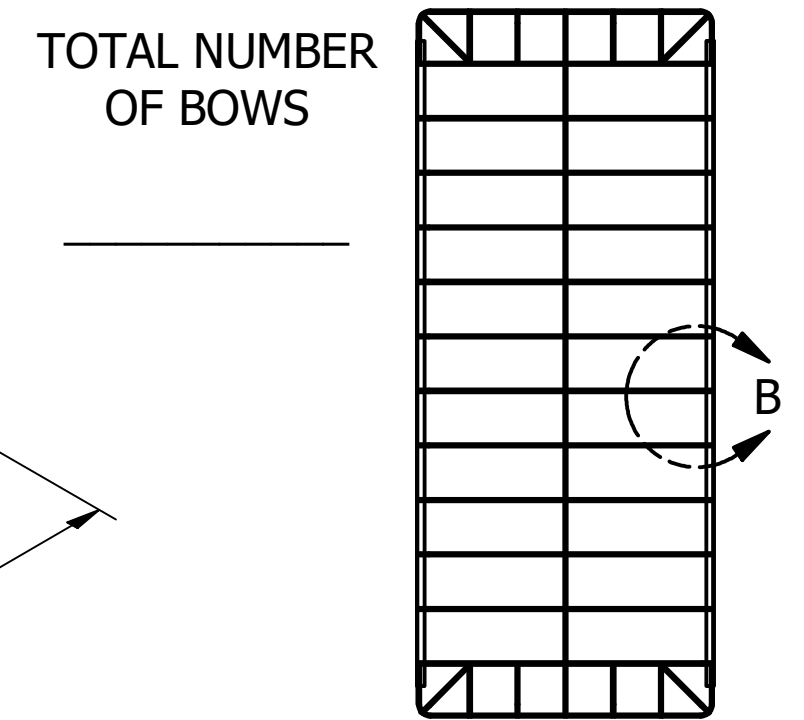
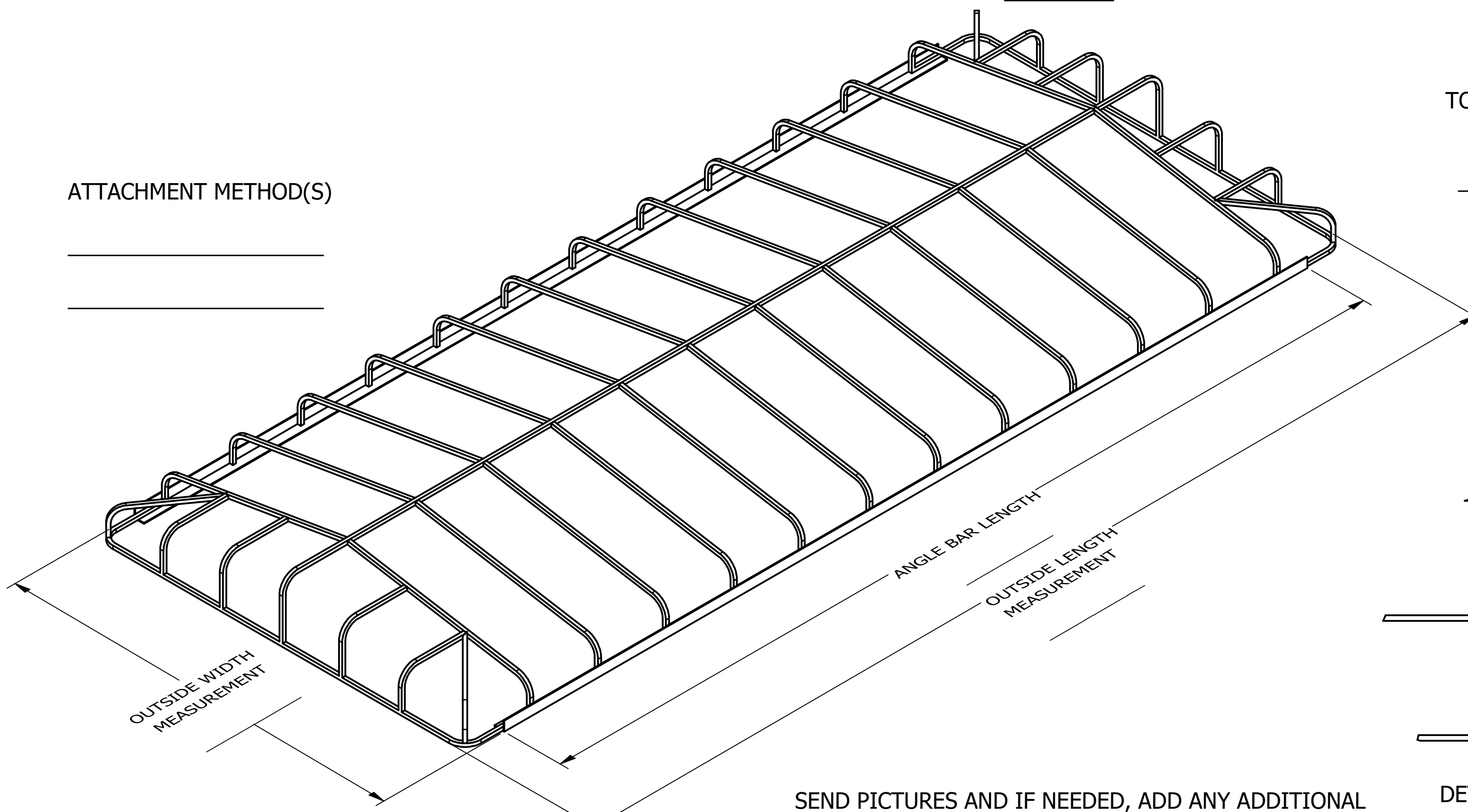
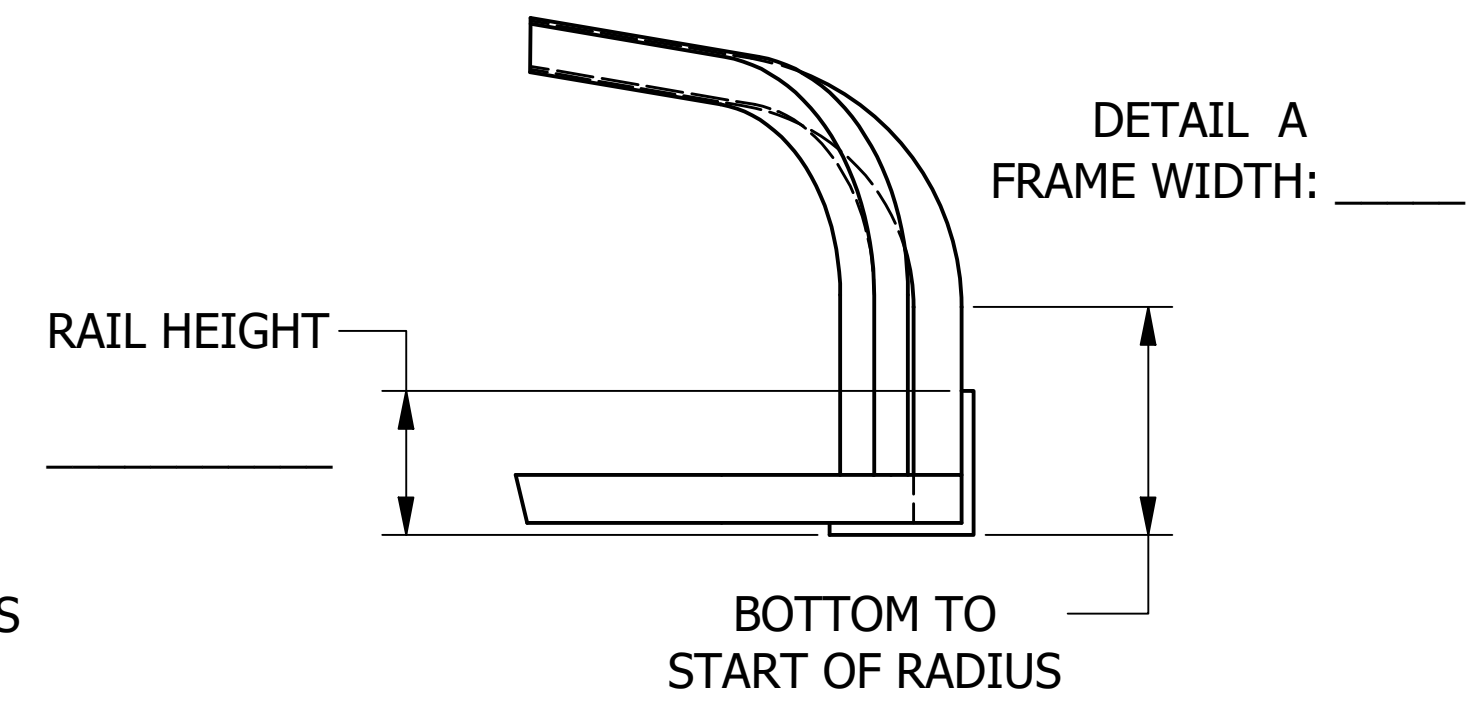
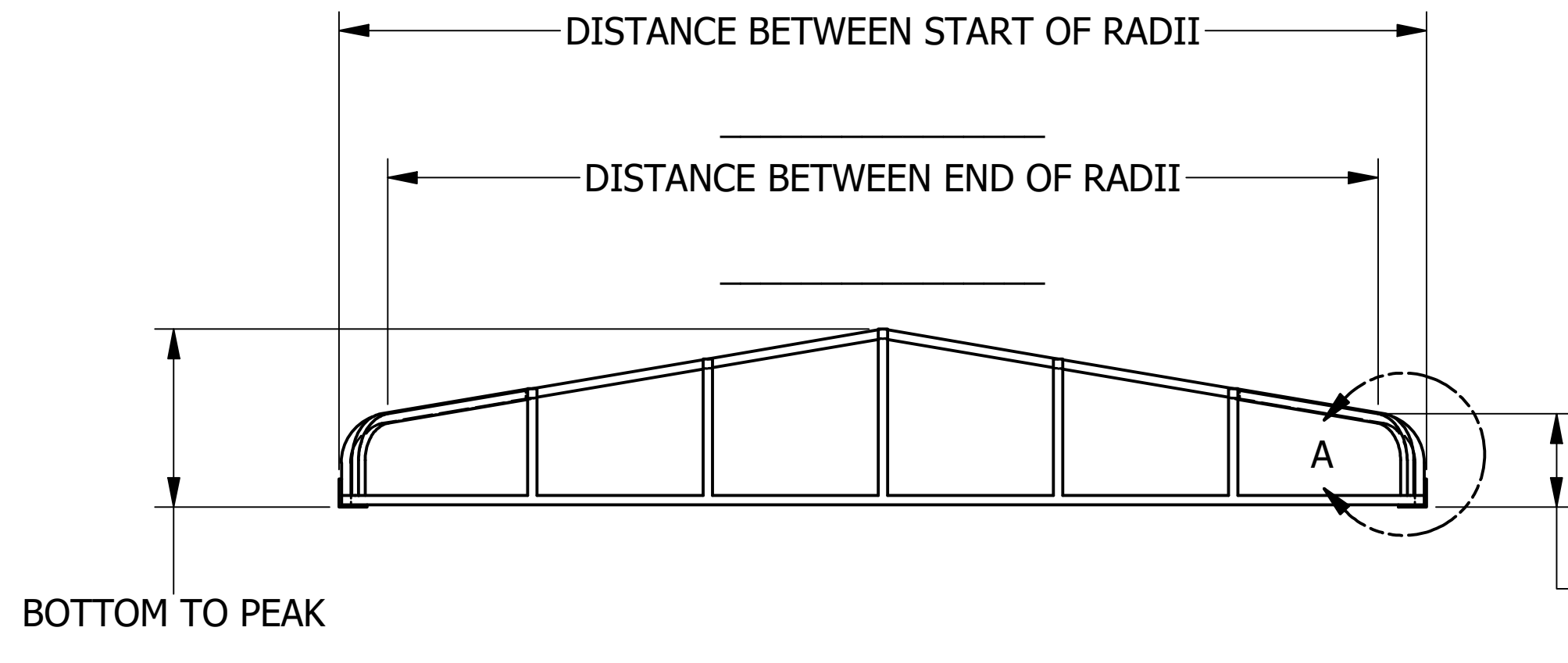


REVISIONS				
REV	ECN	DATE	DESCRIPTION	ISSUER
A	EC-00469	10/4/2016	RELEASE	RML
B	EC-00818	1/22/2019	UPDATED DIMENSIONS	RML



SEND PICTURES AND IF NEEDED, ADD ANY ADDITIONAL FEATURES OR SKETCH THE VIEWS ON A SECOND PAGE.

TOLERANCES - UNLESS NOTED DECIMAL ± FRACTION ± ANGLE ± NOTICE	TITLE: AQUAMATIC STYLE FRAME DETAIL SHEET			SIZE C
	DRFT: RML	DATE: 10/4/2016	SCALE:	SHEET: 1
	ENGR: CWG	DATE: 10/10/2016		